

Distributed by:

JAMECO[®]
ELECTRONICS

www.Jameco.com ♦ 1-800-831-4242

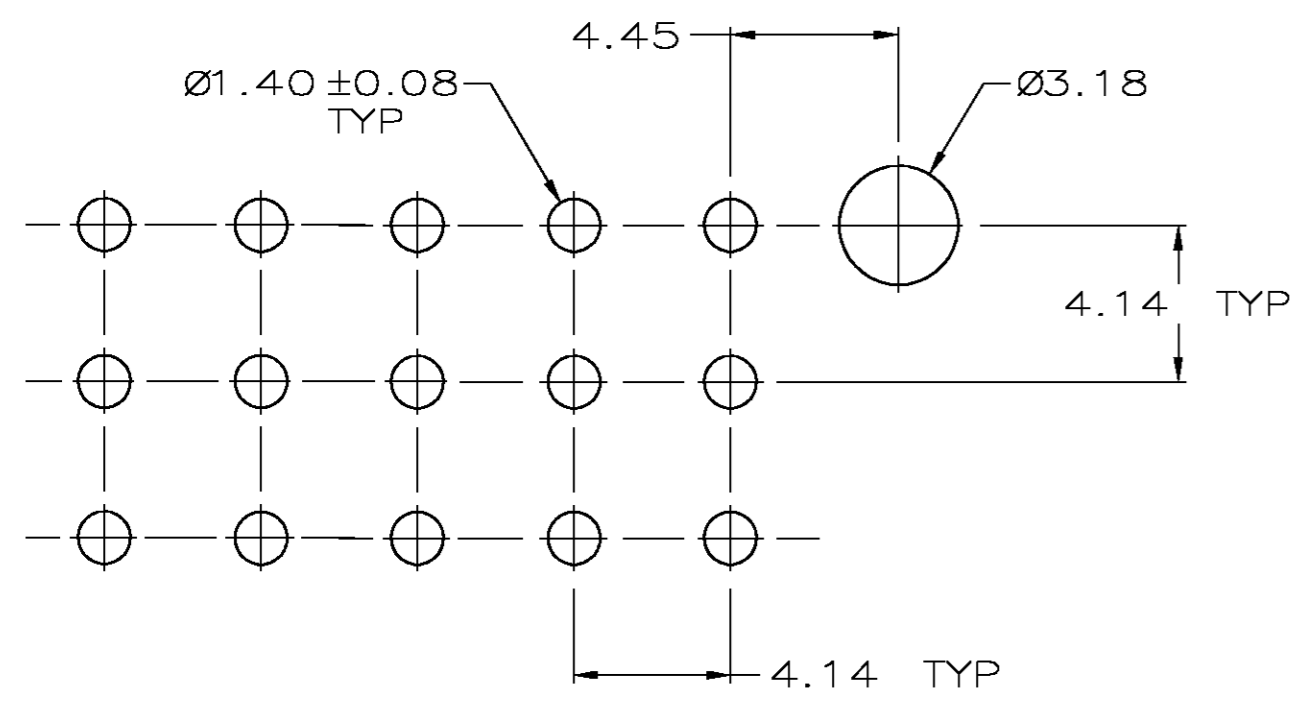
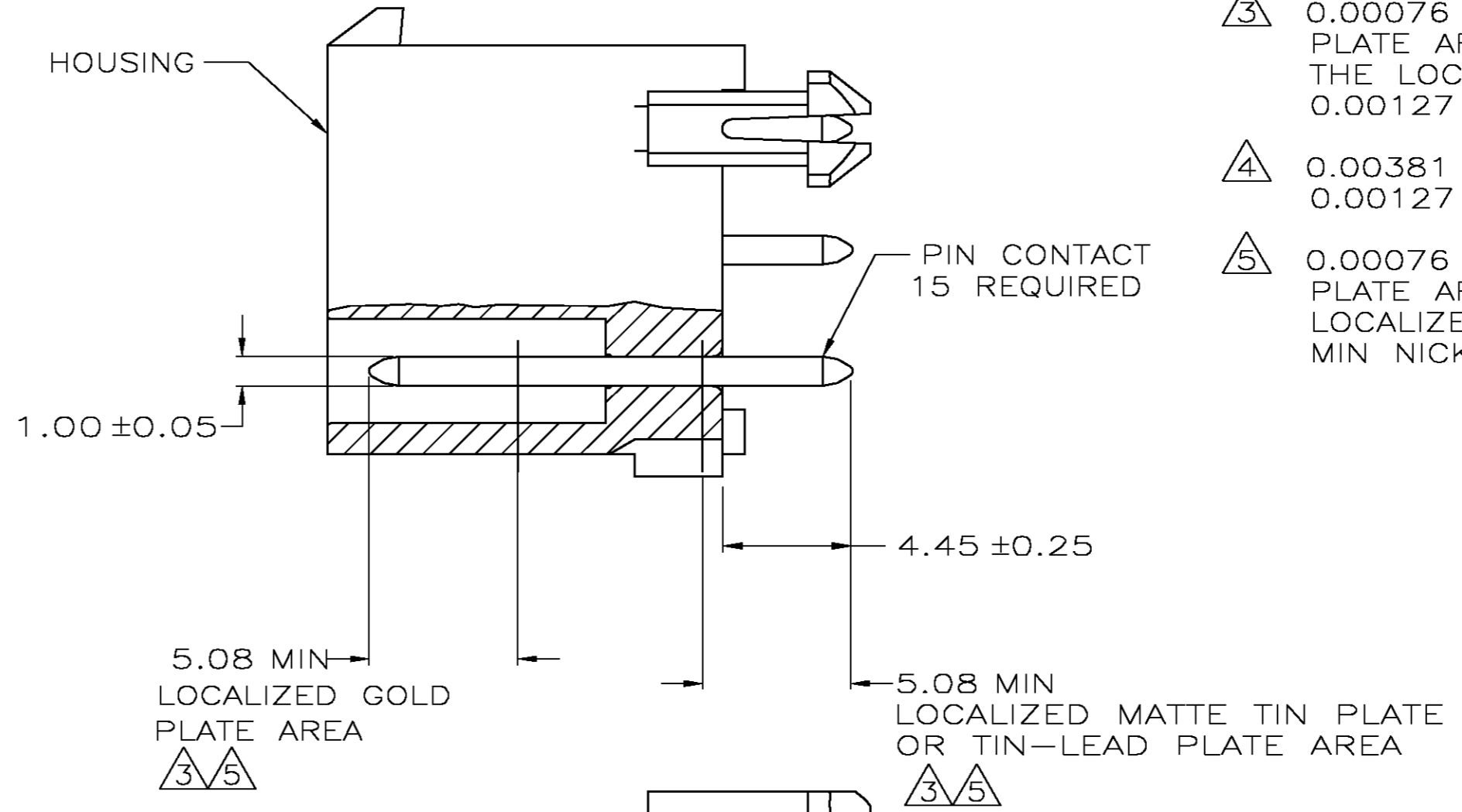
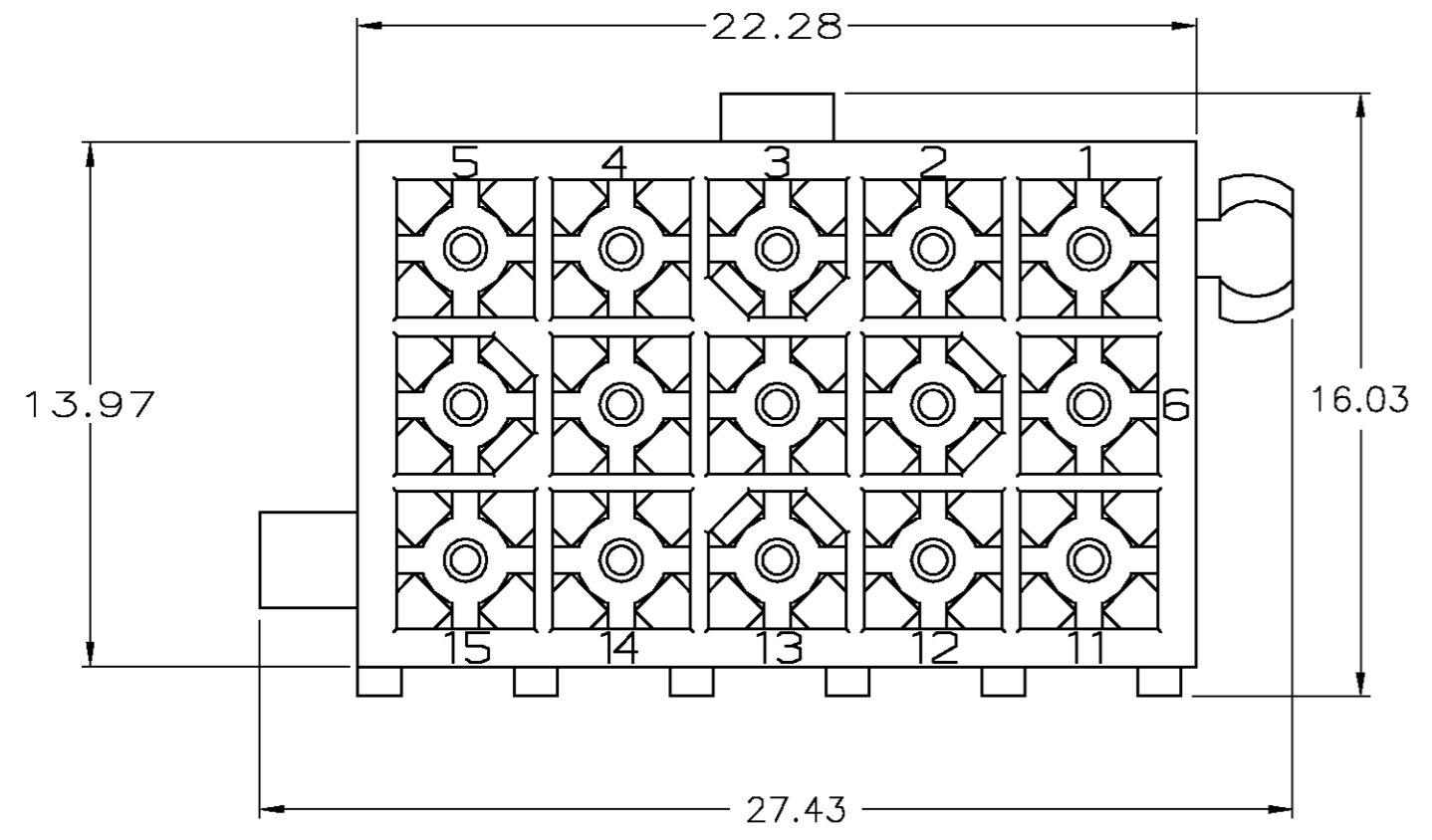
The content and copyrights of the attached
material are the property of its owner.

Jameco Part Number 892230

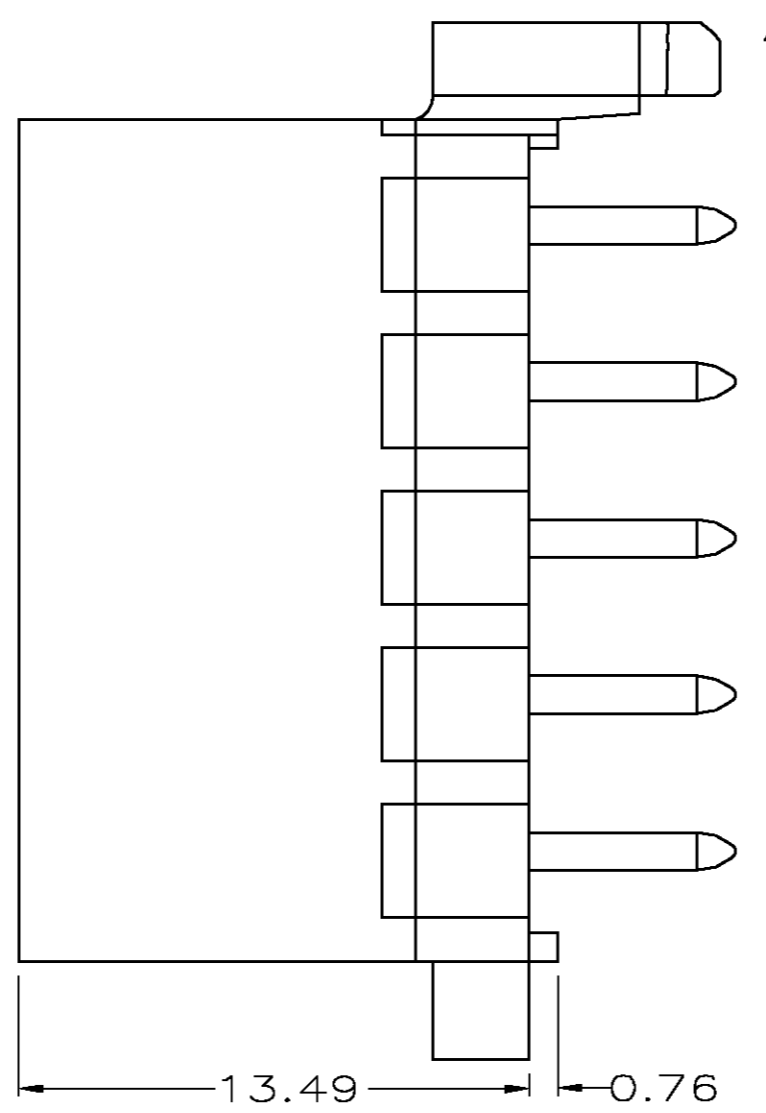
THIS DRAWING IS UNPUBLISHED. RELEASED FOR PUBLICATION
 © COPYRIGHT BY TYCO ELECTRONICS CORPORATION. ALL RIGHTS RESERVED.

LOC		DIST		REVISIONS			
P	LTR	DESCRIPTION		DATE	DWN	APVD	
CM	0	M		REVISED PER 0G3B-0211-05	6/8/05	SS RJ	

- PINS TO COMPLY WITH AMP SOLDERABILITY SPEC. 109-11-3.
- 0.00381 MIN MATTE TIN LEAD PLATE OVER 0.00127 MIN NICKEL.
- 0.00076 MIN GOLD PLATE IN THE LOCALIZED PLATE AREA, 0.00381 MATTE TIN LEAD IN THE LOCALIZED PLATE AREA, BOTH OVER 0.00127 MIN NICKEL.
- 0.00381 MIN MATTE TIN PLATE OVER 0.00127 MIN NICKEL.
- 0.00076 MIN GOLD PLATE IN THE LOCALIZED PLATE AREA, 0.00381 MATTE TIN IN THE LOCALIZED PLATE AREA, BOTH OVER 0.00127 MIN NICKEL.



RECOMMENDED LAYOUT FOR 1.57 THICK BOARD
 TOLERANCES NON-ACCUMULATIVE



MATERIAL	FINISH	MATERIAL	COLOR	PART NO.
BRASS, GOLD	5	NYLON, UL94V-0	WHITE	1-770190-1
BRASS, TIN	4	NYLON, UL94V-0	WHITE	1-770190-0
BRASS, GOLD	3	NYLON, UL94V-0	WHITE	770190-2
BRASS, TIN-LEAD	2	NYLON, UL94V-0	WHITE	770190-1

THIS DRAWING IS A CONTROLLED DOCUMENT.

DIMENSIONS: mm	TOLERANCES UNLESS OTHERWISE SPECIFIED:	DWN S CARPENTER 08JUN05	Tyco Electronics Corporation Harrisburg, Pa 17105-3608
	0 PLC ± -	CHK R JONES 6/8/05	
	1 PLC ± -	APVD R JONES 6/8/05	
	2 PLC ± 0.13	PRODUCT SPEC	
	3 PLC ± -	APPLICATION SPEC	NAME
	4 PLC ± -	WEIGHT -	SIZE
	ANGLES ± -	CUSTOMER DRAWING	CAGE CODE
MATERIAL -	FINISH -	SCALE 5:1	DRAWING NO
		SHEET 1 OF 1	RESTRICTED TO
		REV M	