

Distributed by:

JAMECO[®]
ELECTRONICS

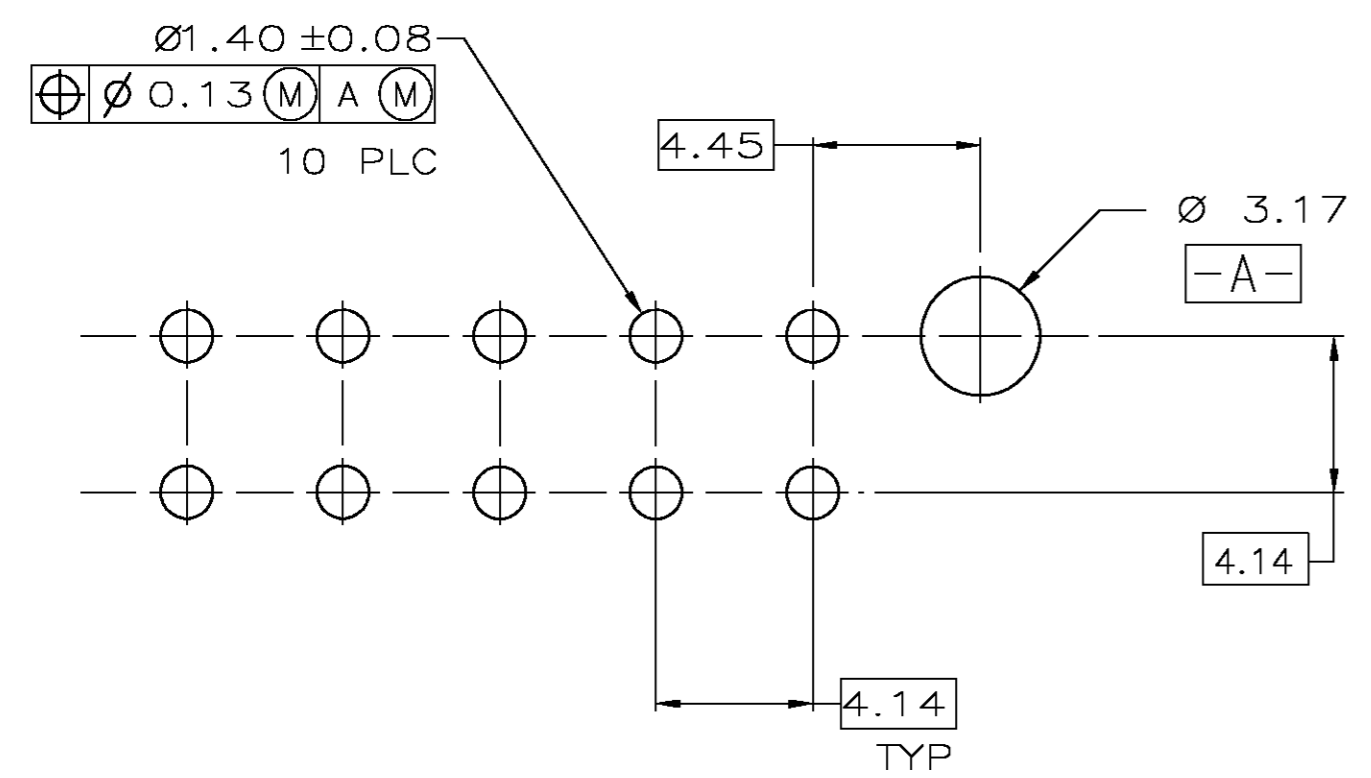
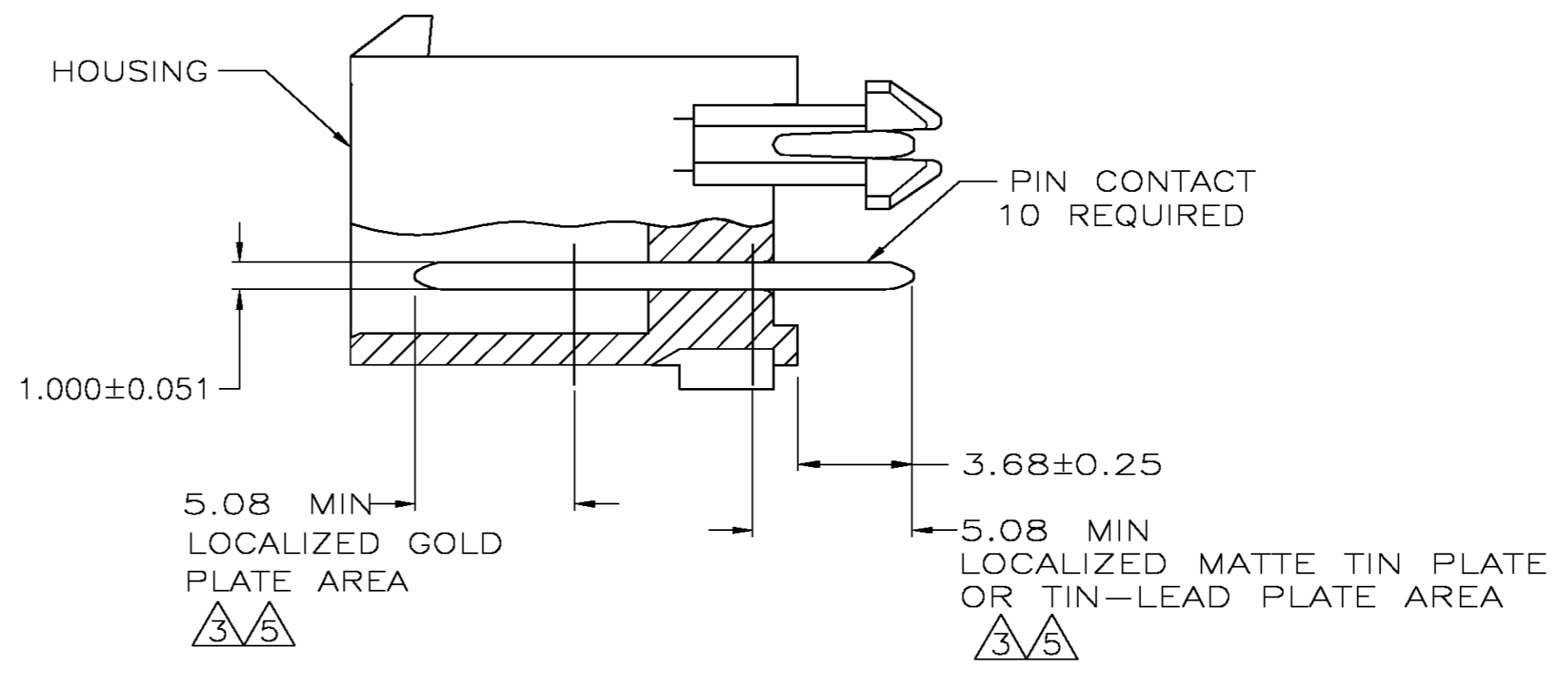
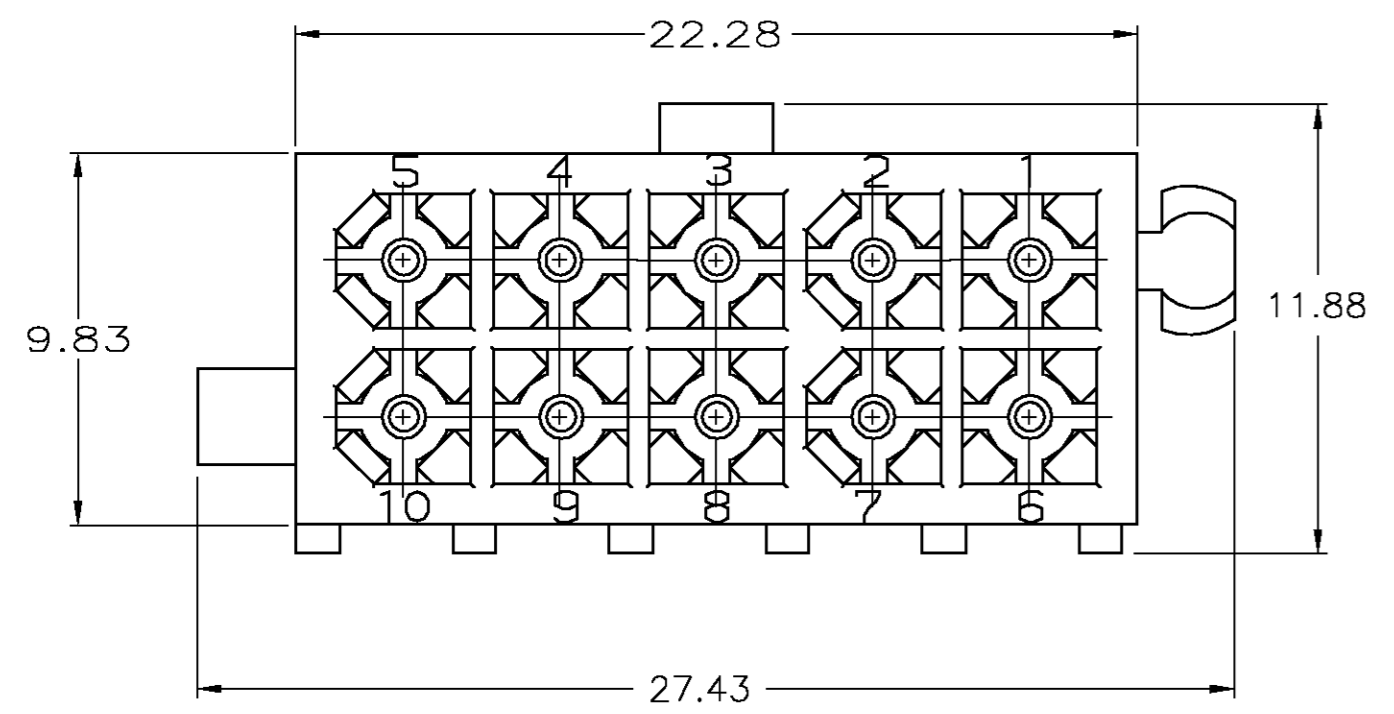
www.Jameco.com ♦ 1-800-831-4242

The content and copyrights of the attached
material are the property of its owner.

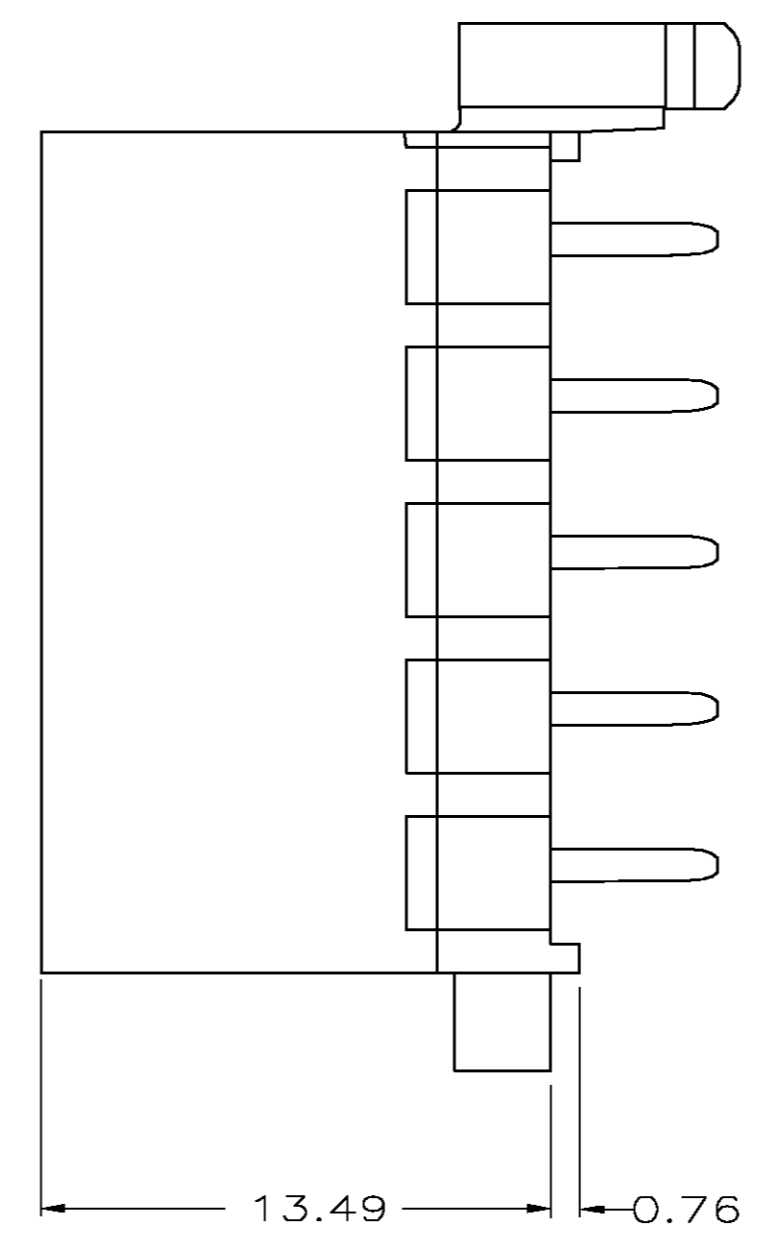
Jameco Part Number 892432

THIS DRAWING IS UNPUBLISHED. RELEASED FOR PUBLICATION
 © COPYRIGHT BY TYCO ELECTRONICS CORPORATION. ALL RIGHTS RESERVED.

LOC		DIST		REVISIONS			
P	LTR	DESCRIPTION		DATE	DWN	APVD	
CM	0	G		REVISED PER 0G3B-0211-05	6/8/05	SS	RJ



RECOMMENDED HOLE PATTERN FOR 1.57 THICK BOARD



- PINS TO COMPLY WITH AMP SOLDERABILITY SPEC. 109-11-3.
- 0.00381 MIN MATTE TIN LEAD PLATE OVER 0.00127 MIN NICKEL.
- 0.00076 MIN GOLD PLATE IN THE LOCALIZED PLATE AREA, 0.00381 MATTE TIN LEAD IN THE LOCALIZED PLATE AREA, BOTH OVER 0.00127 MIN NICKEL.
- 0.00381 MIN MATTE TIN PLATE OVER 0.00127 MIN NICKEL.
- 0.00076 MIN GOLD PLATE IN THE LOCALIZED PLATE AREA, 0.00381 MATTE TIN IN THE LOCALIZED PLATE AREA, BOTH OVER 0.00127 MIN NICKEL.

MATERIAL	FINISH	MATERIAL	COLOR	PART NO.
BRASS, GOLD	5	NYLON, UL94V-0	WHITE	1-770743-1
BRASS, TIN	4	NYLON, UL94V-0	WHITE	1-770743-0
BRASS, GOLD	3	NYLON, UL94V-0	WHITE	770743-2
BRASS, TIN-LEAD	2	NYLON, UL94V-0	WHITE	770743-1

THIS DRAWING IS A CONTROLLED DOCUMENT.		DWN S CARPENTER	OBJUN05	Tyco Electronics Corporation	
DIMENSIONS: mm		CHK R JONES	29JUL2003	Harrisburg, Pa 17105-3608	
TOLERANCES UNLESS OTHERWISE SPECIFIED:		APVD R JONES	29JUL2003	NAME	
0 PLC	± -	PRODUCT SPEC		HEADER ASSEMBLY, 10 CKT, DOUBLE ROW VERTICAL MINI UNIVERSAL MATE-N-LOK	
1 PLC	± -	APPLICATION SPEC		SIZE	
2 PLC	± 0.13	WEIGHT		CAGE CODE	
3 PLC	± -	CUSTOMER DRAWING		DRAWING NO	
4 PLC	± -	SCALE		RESTRICTED TO	
ANGLES	± -	SHEET		REV	
FINISH	-	OF		G	