

Distributed by:

JAMECO[®]
ELECTRONICS

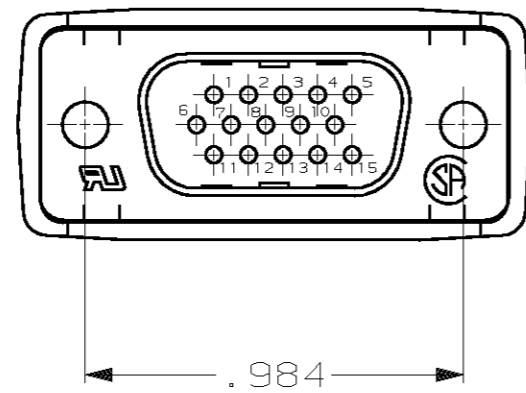
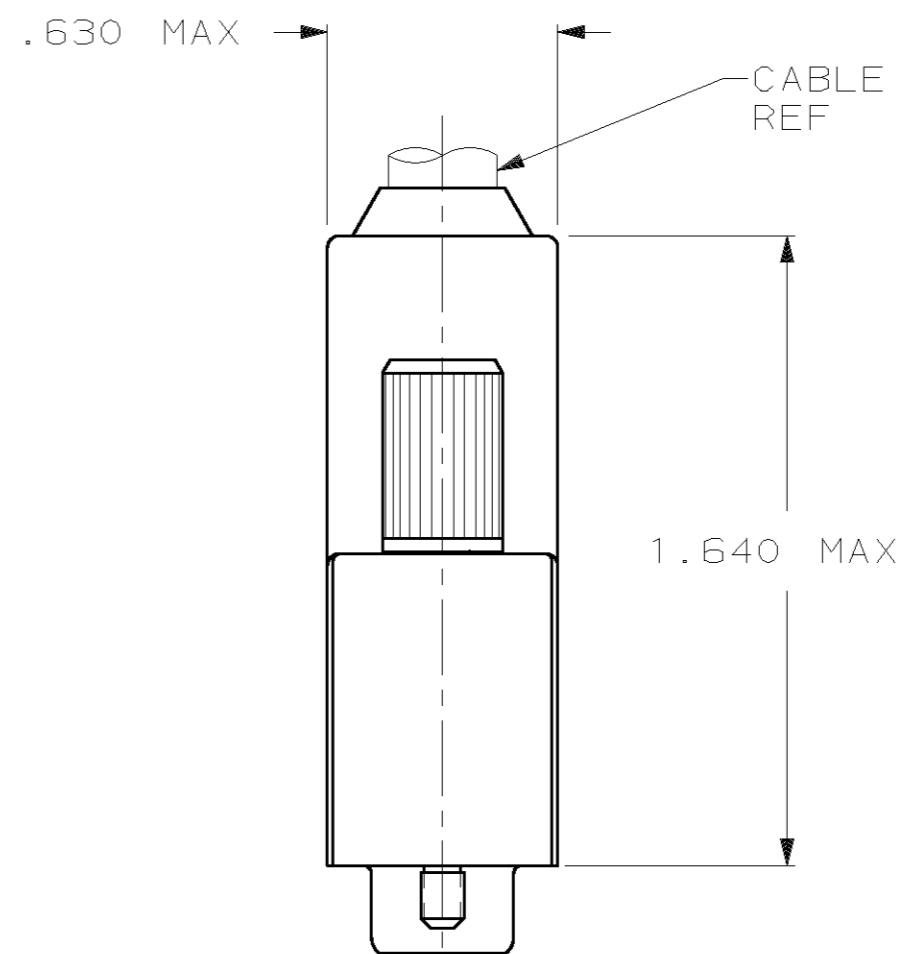
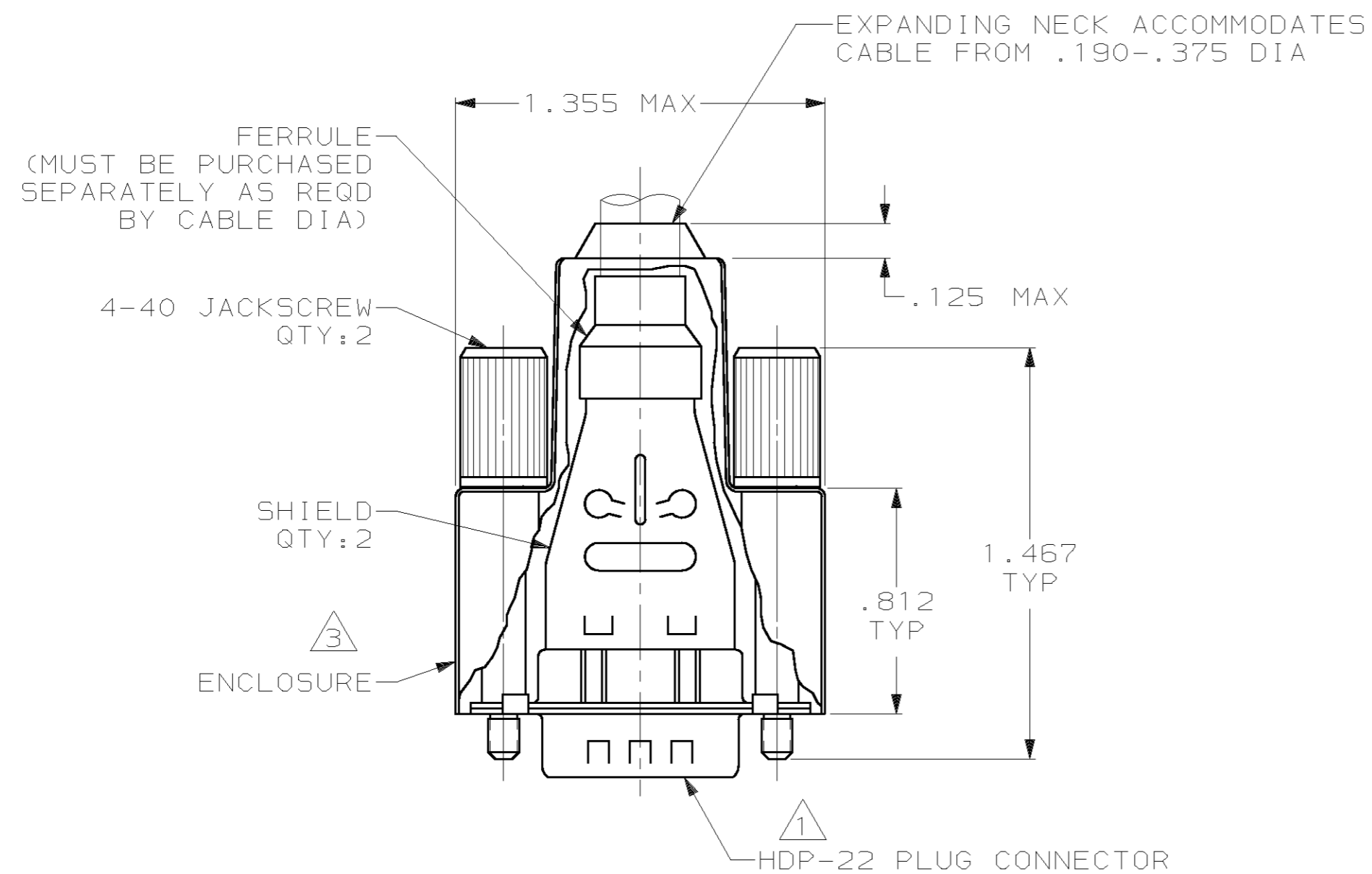
www.Jameco.com ♦ 1-800-831-4242

The content and copyrights of the attached
material are the property of its owner.

Jameco Part Number 904544

THIS DRAWING IS UNPUBLISHED. RELEASED FOR PUBLICATION
 (C) COPYRIGHT 19 BY AMP INCORPORATED. ALL RIGHTS RESERVED.

LOC		DIST		REVISIONS			
P	LTR	DESCRIPTION	DATE	DWN	APVD		
GP	00	0	RELEASED PER EC 0513-0209-03	02JAN04	LB	5B	



- ① PLUG ACCEPTS 22 DF PIN CONTACTS. CONTACTS MUST BE PURCHASED SEPARATELY.
- 2. ALL PARTS SHIPPED UNASSEMBLED.
- ③ FLAME RETARDANT 94V-0 RATED, STYRENE POLYOLEFIN OR PVC, BLACK.
- ④ FLAME RETARDANT 94V-0 RATED GLASS FILLED, NYLON OR POLYESTER, BLACK.
- ⑤ CARBON STEEL.
- ⑥ .000200 MIN. TIN PLATE OVER .000100 MIN. COPPER UNDERPLATE.
- ⑦ PHOSPHATE COATING, BLACK.
- 8. COMPONENTS INDIVIDUALLY BULK PACKED.

1658678-1
 PART NUMBER

THIS DRAWING IS A CONTROLLED DOCUMENT.		DWN L. BAUM 02JAN04	AMP Incorporated Harrisburg, PA 17105-3608
DIMENSIONS: INCH		CHK S. BOLASH 02JAN04	
TOLERANCES UNLESS OTHERWISE SPECIFIED: 0 PLC ±- 1 PLC ±- 2 PLC ±- 3 PLC ±.005 4 PLC ±- ANGLES ±2°		APVD M. WALMSLEY 02JAN04	
		NAME SHIELDING ENCLOSURE KIT, PLUG, SIZE 1, 15 POSN, HDP-22, AMPLIMIT™	
MATERIAL INSERT: SHELLS & SHIELDS: JACKSCREWS: ZINC ALLOY		FINISH SHELLS & SHIELDS: JACKSCREWS:	PRODUCT SPEC 108-1268 APPLICATION SPEC 114-10001 WEIGHT - SCALE 2:1 SHEET 1 OF 1 REV 0
CUSTOMER DRAWING			SIZE A2 CAGE CODE 00779 DRAWING NO. 1658678 RESTRICTED TO