

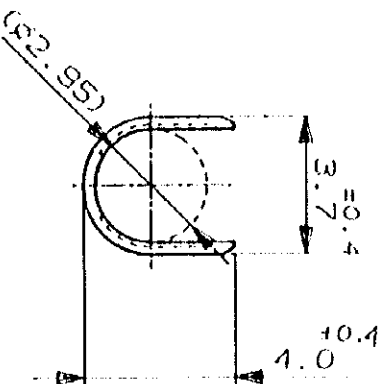
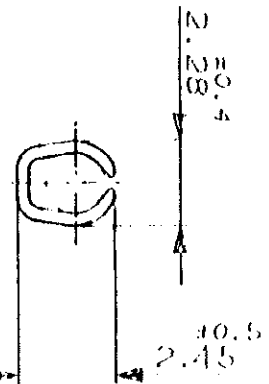
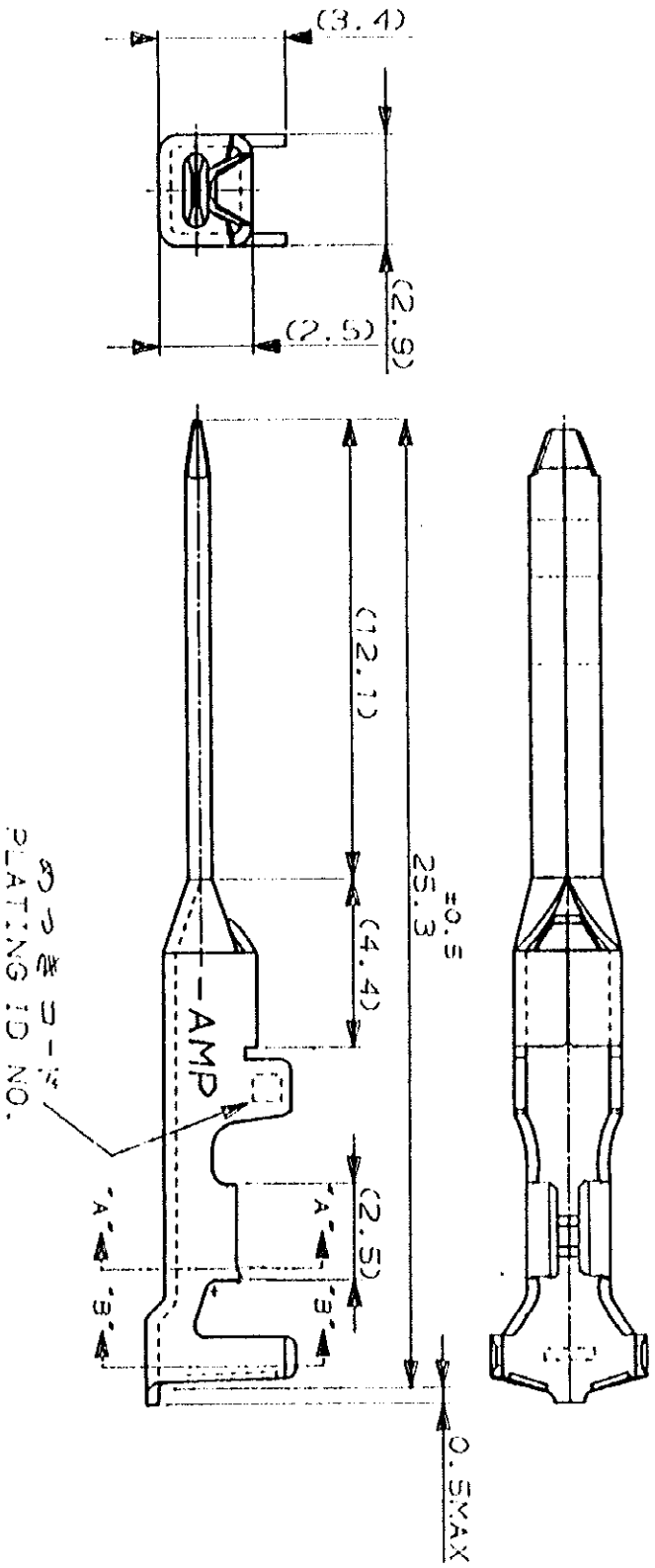
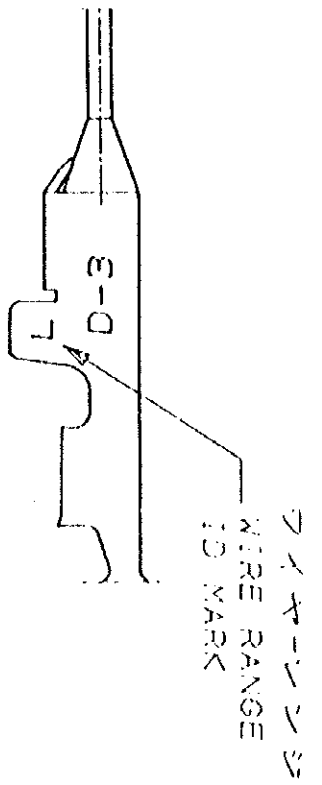
Distributed by:

JAMECO[®]
ELECTRONICS

www.Jameco.com ♦ 1-800-831-4242

The content and copyrights of the attached
material are the property of its owner.

Jameco Part Number 905361



175289-3
175289-2

注記
△ 金めっきは表層部のみとする
NOTE
△ GOLD-PL. CONTACT AREA ONLY

REV.	DESCRIPTION	DATE	CHK.	DATE
01	REVISED (5/12/81)	5/12/81	SM	5/12/81
0	RELEASED (5/12/81)	5/12/81	NM	5/12/81
LTR	変更 (REVISION RECORD)	DR	CHK	DATE

5	光沢鍍めっき (BRIGHT TIN-PL.)	仕上 (FINISH)
3	△ 0.75μm最小空めっき (0.75μMIN.AU-PL.)	仕上 (FINISH)
2	△ 0.38μm最小空めっき (0.38μMIN.AU-PL.)	仕上 (FINISH)
1	銅合金	銅合金

Copyright ©1982 AMP (Japan), LTD. ALL RIGHTS RESERVED.
Copyright ©1982 AMP (Japan), LTD. ALL RIGHTS RESERVED.

AMP
DYNAMIC D-3 SERIES TAB CONTACT
L¹ SIZE LOOSE PIECE
D-3 (1) - タブコンタクト

DR.	9. Matsuda	DE.	9. Matsuda	APP.	5. MAR-82
CHK.	9. Matsuda	CHK.	5. MAR-82		