

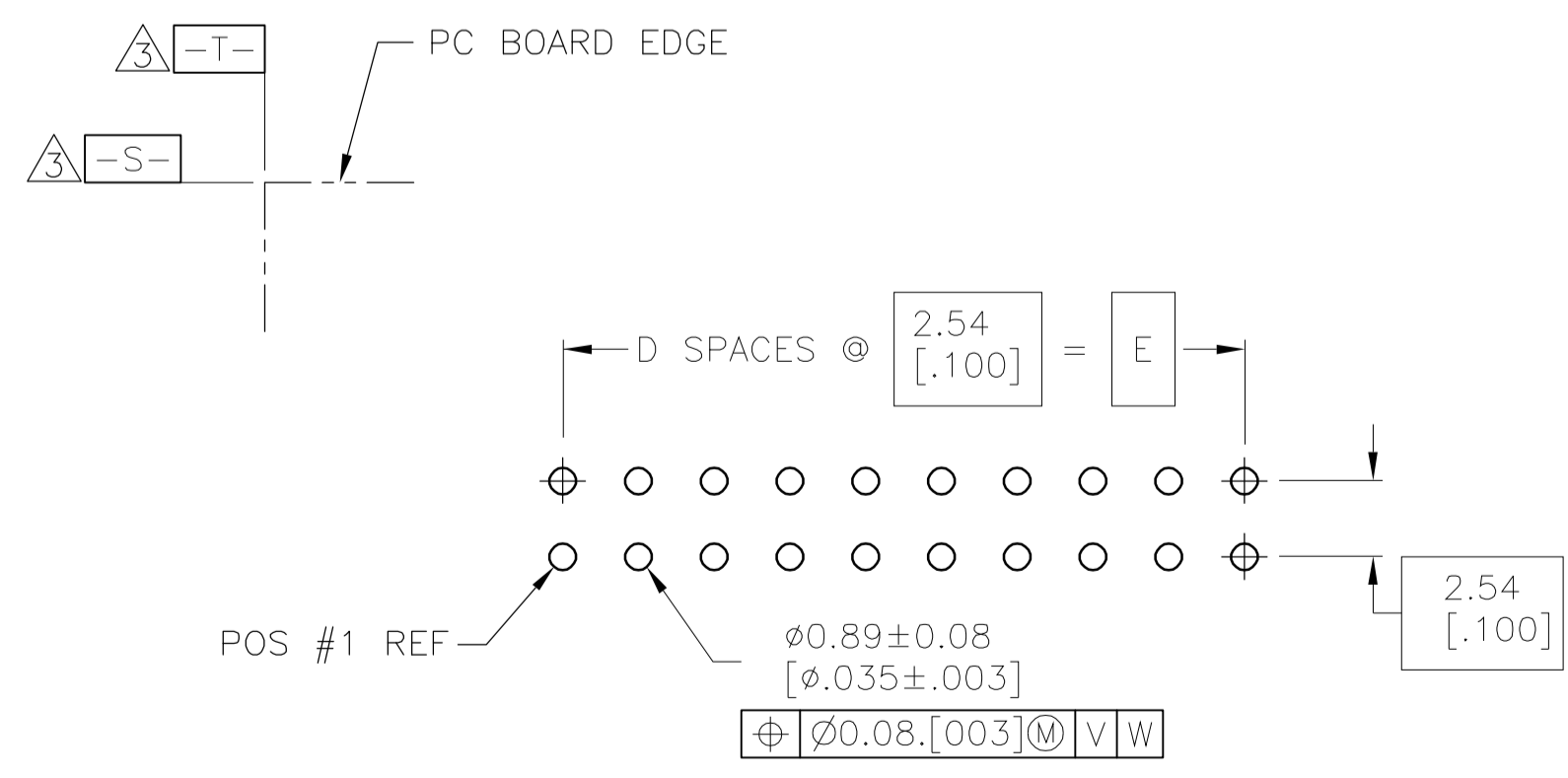
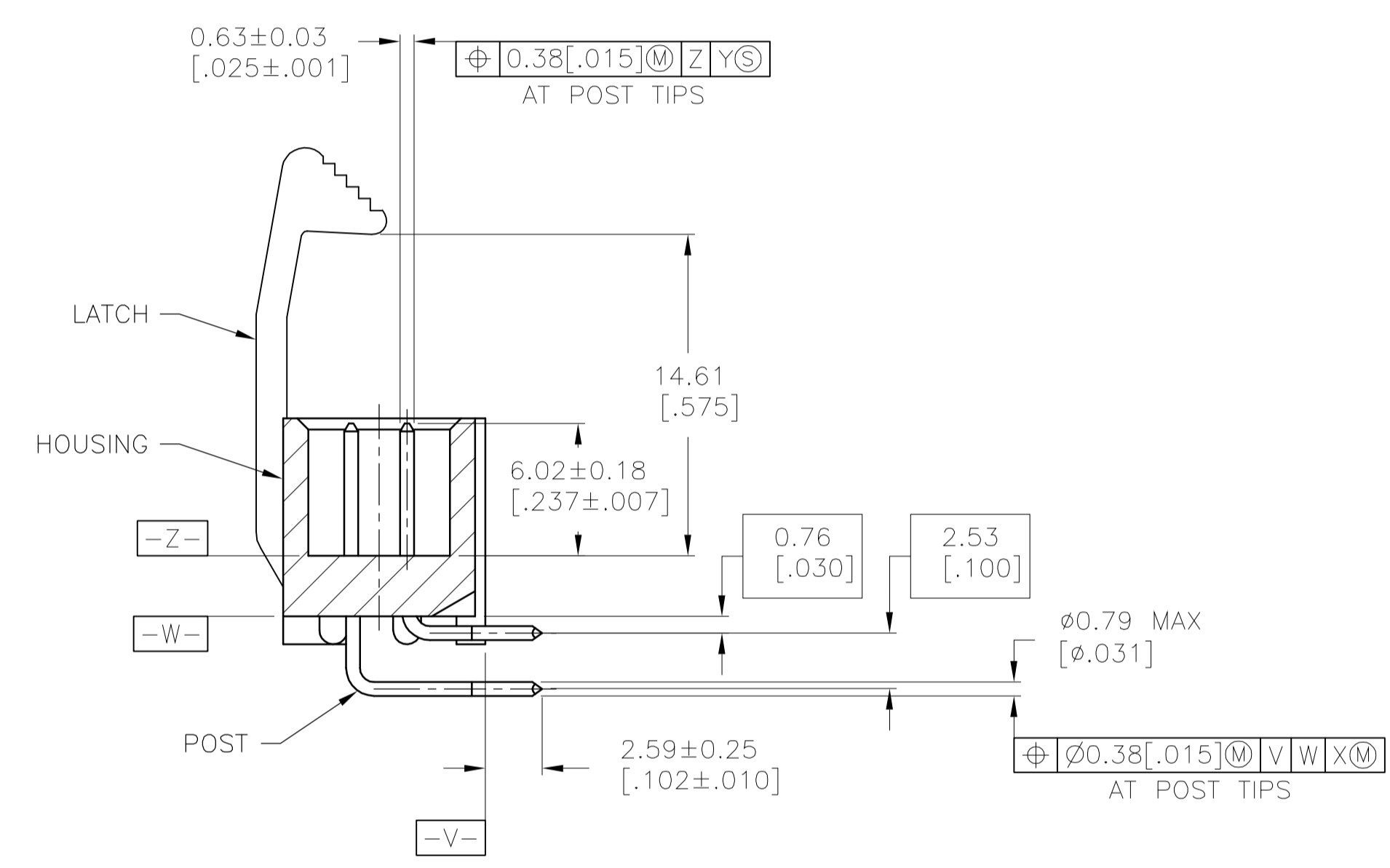
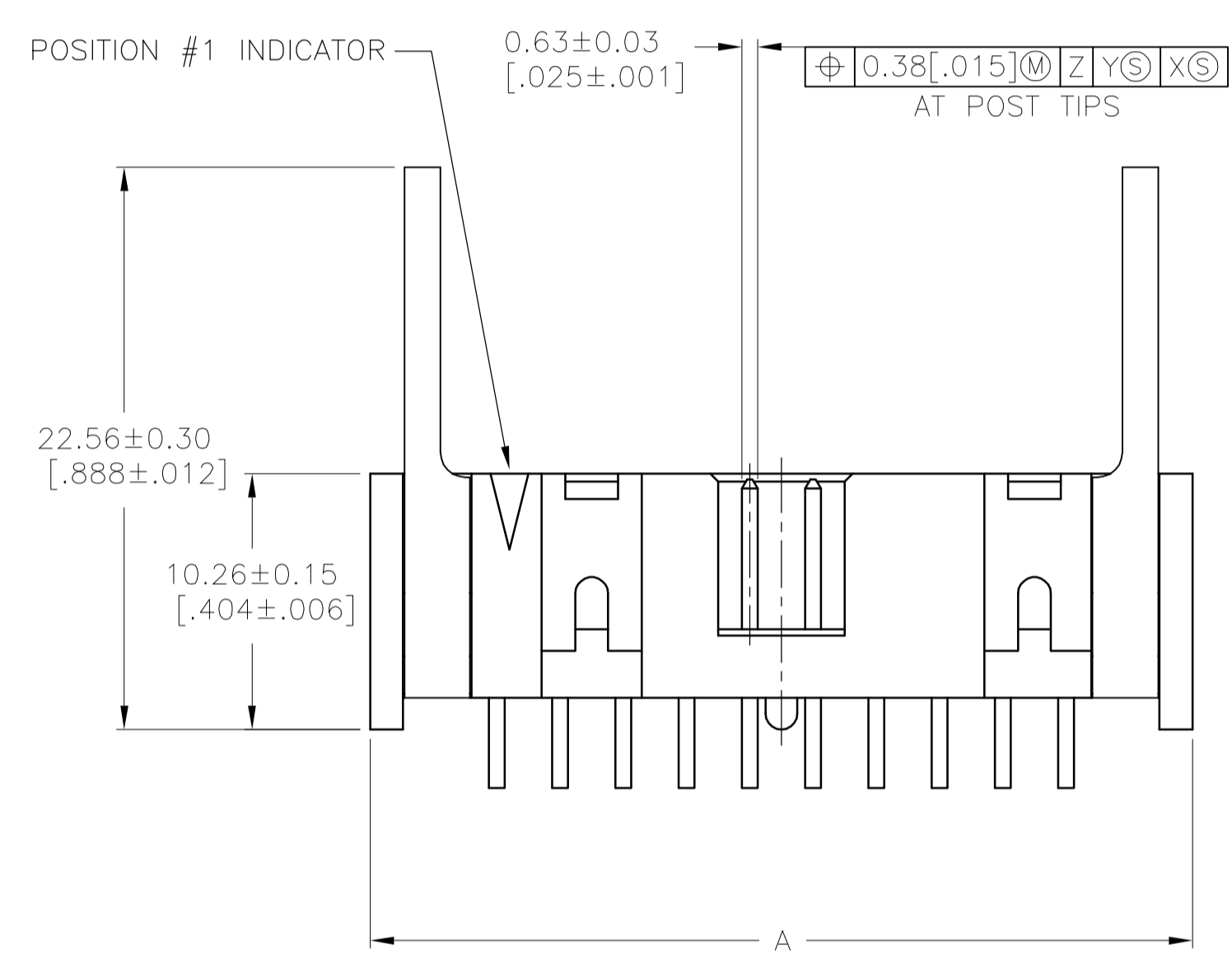
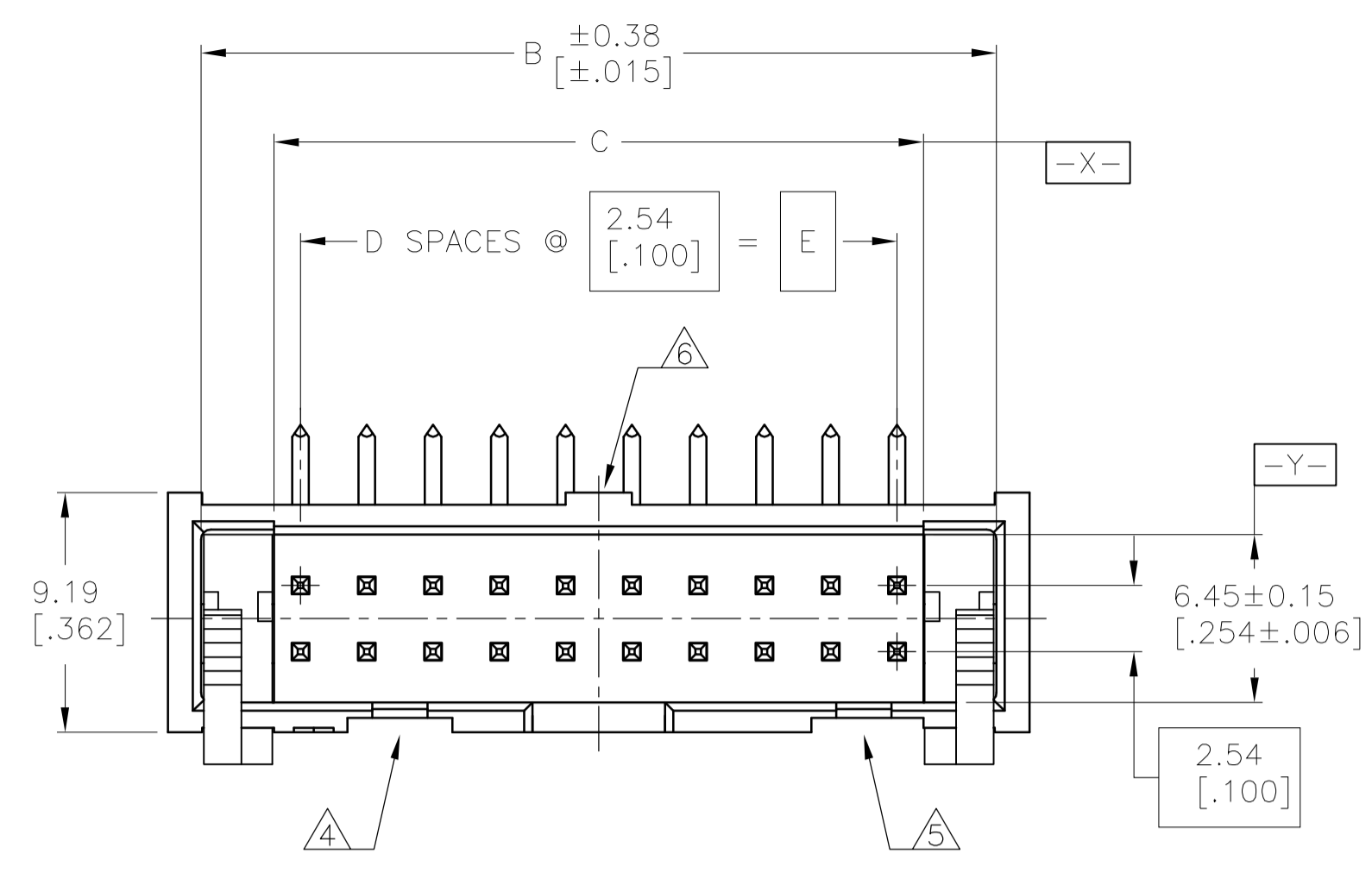
Distributed by:

JAMECO[®]
ELECTRONICS

www.Jameco.com ♦ 1-800-831-4242

The content and copyrights of the attached
material are the property of its owner.

Jameco Part Number 905782



RECOMMENDED PC BOARD LAYOUT
(VIEWED FROM CONNECTOR SIDE)

- 1 HOUSING: PBT, UL94V-0, COLOR (SEE TABLE).
POSTS: PHOSPHOR BRONZE.
LATCHES: ZINC ALLOY.
- 2 POSTS: 0.00076[.000030] MIN GOLD ON MATING AREA, 0.00254[.000100] MIN TIN ON SOLDER END, ALL OVER 0.00127[.000050] MIN NICKEL ON ENTIRE POST.
LATCHES: BLACK CHROMATE.
- 3 DATUMS S & T TO BE ESTABLISHED BY CUSTOMER.
- 4 NO KEYING SLOT ON THIS END FOR 6, 8, 10 & 14 POSITION ASSEMBLIES.
- 5 NO KEYING SLOT ON THIS END FOR 6, 8 & 10 POSITION ASSEMBLIES.
- 6 NO STANDOFF FOR 6, 8, 10, 14 & 16 POSITION ASSEMBLIES.

	BLUE	78.74	31	80.77	86.26	88.90	64	3-1761607-7
	BLUE	73.66	29	75.69	81.18	83.82	60	3-1761607-6
	BLUE	60.96	24	62.99	68.48	71.12	50	3-1761607-5
	BLUE	48.26	19	50.29	55.78	58.42	40	3-1761607-3
	BLUE	40.64	16	42.67	48.16	50.80	34	3-1761607-1
OBSOLETE	BLUE	35.56	14	37.59	43.08	45.72	30	3-1761607-0
	BLUE	30.48	12	32.51	38.00	40.64	26	2-1761607-9
OBSOLETE	BLUE	27.94	11	29.97	35.46	38.10	24	2-1761607-8
	BLUE	22.86	9	24.89	30.38	33.02	20	2-1761607-7
	BLUE	17.78	7	19.81	25.30	27.94	16	2-1761607-6
	BLUE	15.24	6	17.27	22.76	25.40	14	2-1761607-5
	BLUE	10.16	4	12.19	17.68	20.32	10	2-1761607-3
	BLUE	7.62	3	9.65	15.14	17.78	8	2-1761607-2
	BLUE	5.08	2	7.11	12.60	15.24	6	2-1761607-1
	BLACK	73.66	29	75.69	81.18	83.82	60	1-1761607-6
	BLACK	60.96	24	62.99	68.48	71.12	50	1-1761607-5
	BLACK	48.26	19	50.29	55.78	58.42	40	1-1761607-3
	BLACK	40.64	16	42.67	48.16	50.80	34	1-1761607-1
	BLACK	30.48	12	32.51	38.00	40.64	26	1761607-9
	BLACK	22.86	9	24.89	30.38	33.02	20	1761607-7
	BLACK	17.78	7	19.81	25.30	27.94	16	1761607-6
	BLACK	15.24	6	17.27	22.76	25.40	14	1761607-5
	BLACK	10.16	4	12.19	17.68	20.32	10	1761607-3
	HOUSING COLOR	E	D	C	B	A	NO OF POS	PART NUMBER

THIS DRAWING IS A CONTROLLED DOCUMENT.

DIMENSIONS: MM[INCHES]	TOLERANCES UNLESS OTHERWISE SPECIFIED:	DIN J. GERACE 15FEB05	tyco Tyco Electronics Corporation Harrisburg, Pa 17105
0 PLC ± -	1 PLC ± -	2 PLC ± -	3 PLC ± 0.13[.005]
4 PLC ± -	ANGLES ± -	APVD S. BOLASH 15FEB05	NAME M. WALMSLEY 15FEB05
MATERIAL	FINISH	APPLICATION SPEC	PRODUCT SPEC
		SIZE	CAGE CODE
		WEIGHT	DRAWING NO
		CUSTOMER DRAWING	RESTRICTED TO

SCALE 4:1 SHEET 1 OF 1 REV B