

Distributed by:

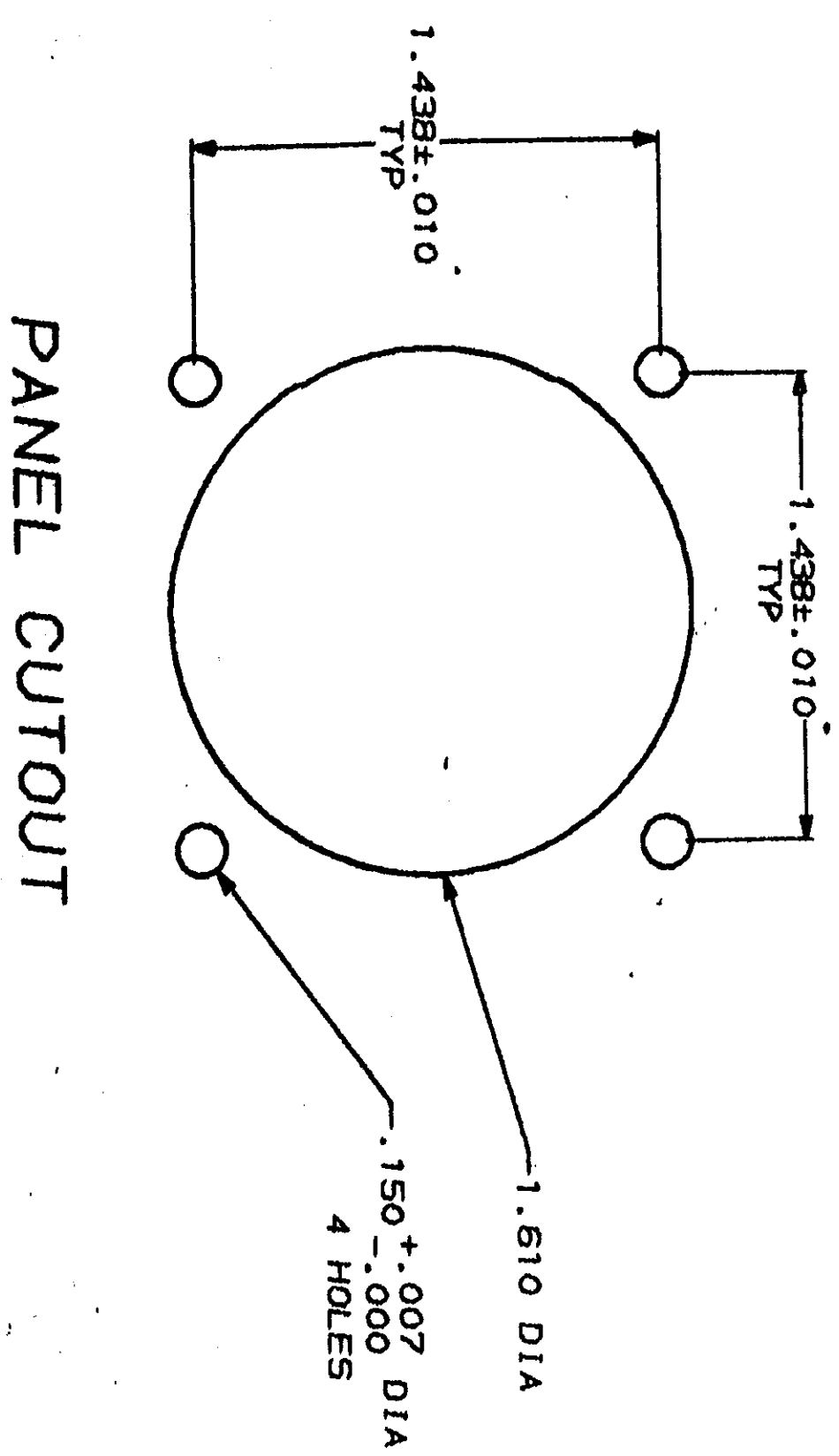
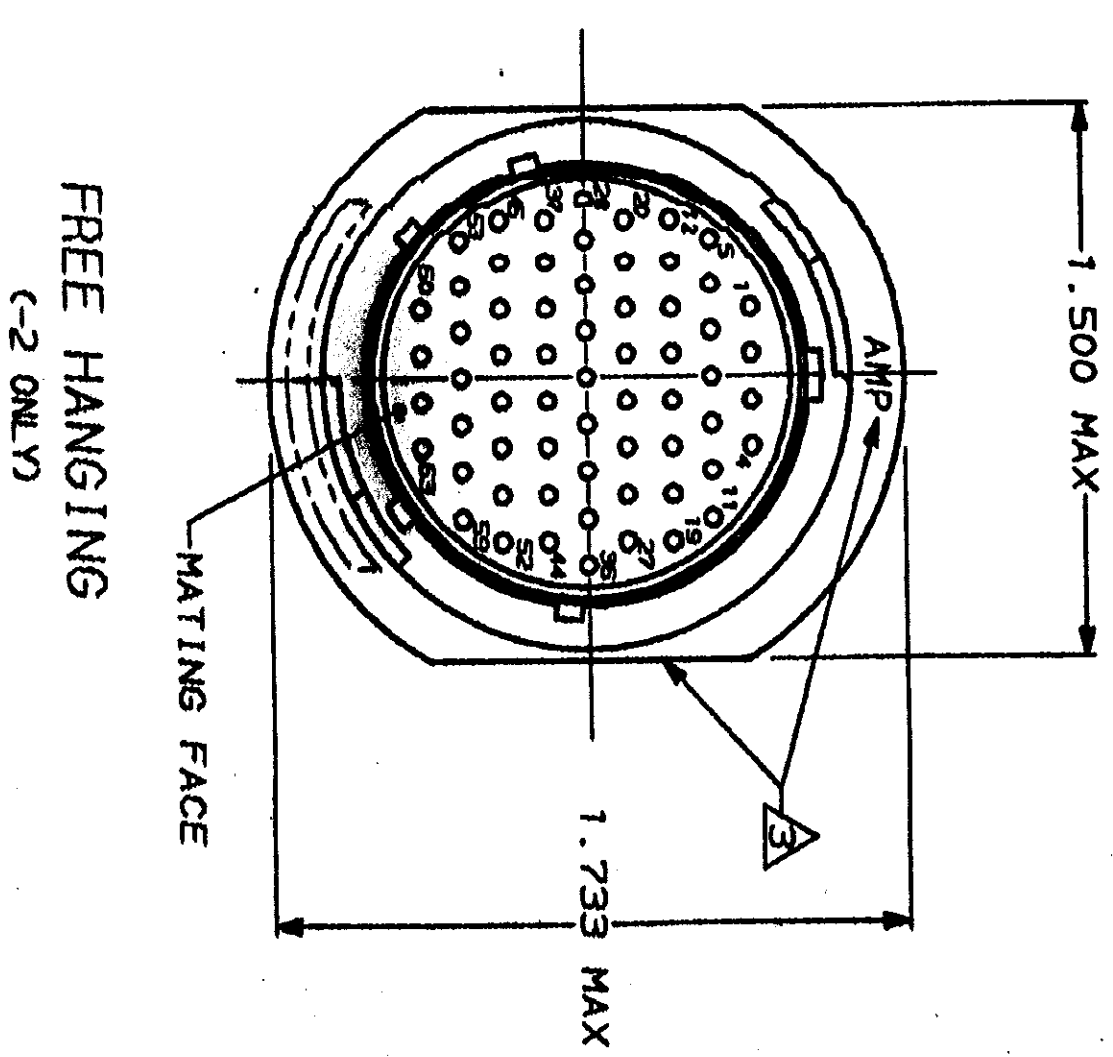
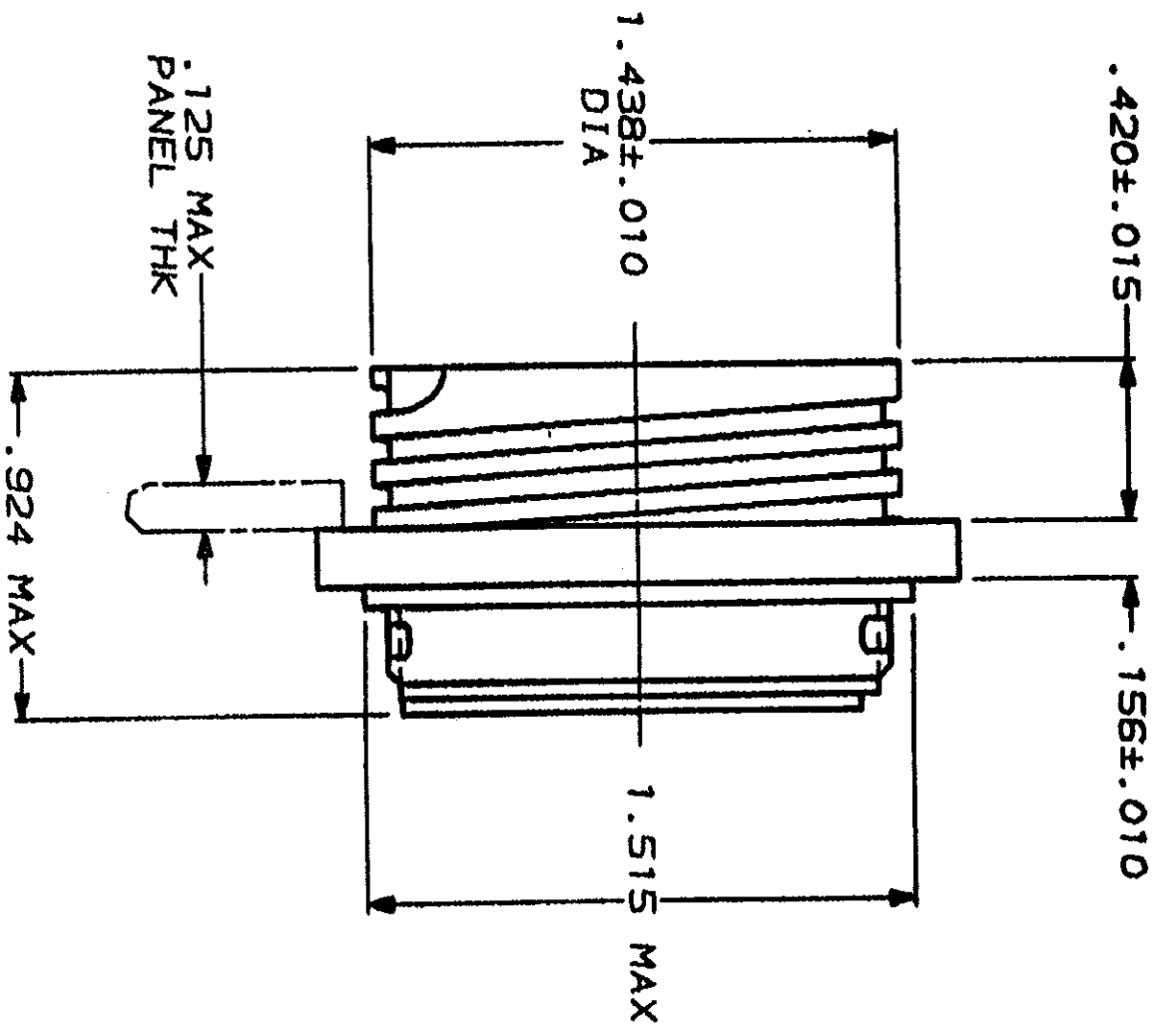
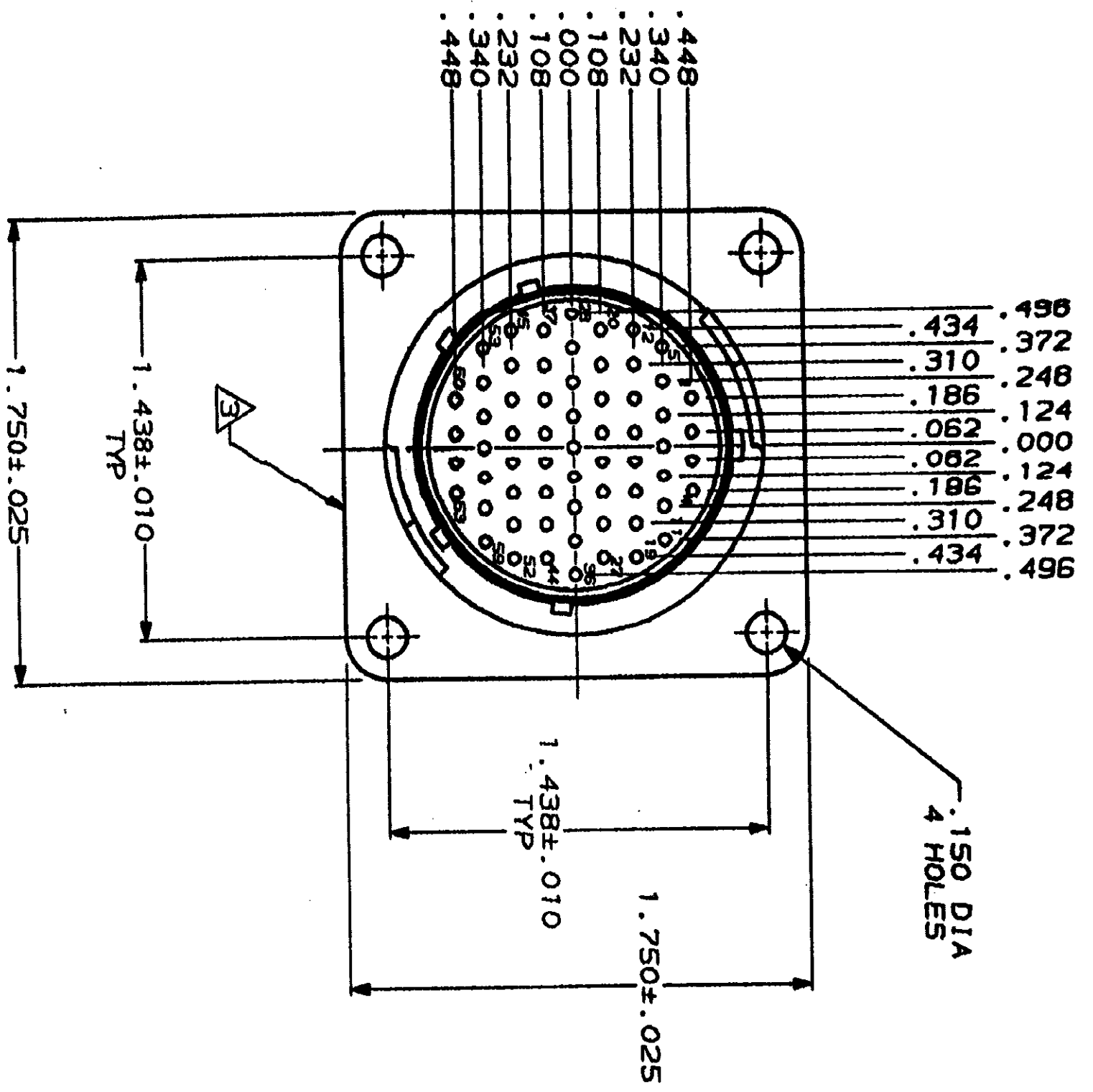
JAMECO[®]
ELECTRONICS

www.Jameco.com ♦ 1-800-831-4242

The content and copyrights of the attached
material are the property of its owner.

Jameco Part Number 913117

23	BD	35	REV	DATE	APP'D
			ZONE		
			LTR		
			F	REDRAWN	
				DESCRIPTION	
				DATE	
				4/2/81	



1. CONTACT CAVITIES IDENTIFIED BY CHARACTERS ON FRONT AND REAR FACES OF CONNECTOR.
2. WILL ACCEPT (G3) SIZE 20 PIN CONTACTS.
3. AMP AND PART NUMBER THIS AREA.
4. #4 FASTENER RECOMMENDED FOR MOUNTING.

DO NOT SCALE PRINT.
 UNLESS SPECIFIED
 DIMENSIONS IN INCHES
 TOLERANCES ON:
 2 PLC DEC ± .005
 3 PLC DEC ± .005
 ANGLES ±
 MATERIAL
 THERMOPLASTIC,
 BLACK

DR 4/3/91
 A. STUB BS
 CHK 7-24-92
 H. S. LEIKER
 APPD 7-24-92
 K. BEAVER
 APPD 7-24-92
 C. ROWDE
 PRODUCT SPEC
 108-10024
 APPLICATION SPEC

AMP
 AMP Incorporated
 Harrisburg, PA 17105-3808

RECEPTACLE ASSEMBLY, STD SEX,
 SERIES 2, 23-63, CPC

205843-2	PART NUMBER
205843-1	PART NUMBER

FINISH	SCALE	WEIGHT
	2:1	
SIZE	CAGE CODE	DRAWING NO
C	00779	205843
SHEET		SHEET
1 OF 1		1 OF 1

CUSTOMER DRAWING