

Distributed by:

JAMECO[®]
ELECTRONICS

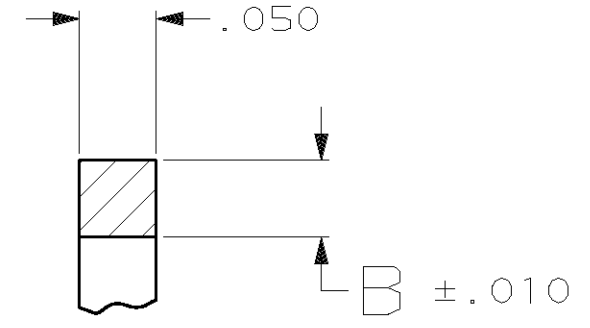
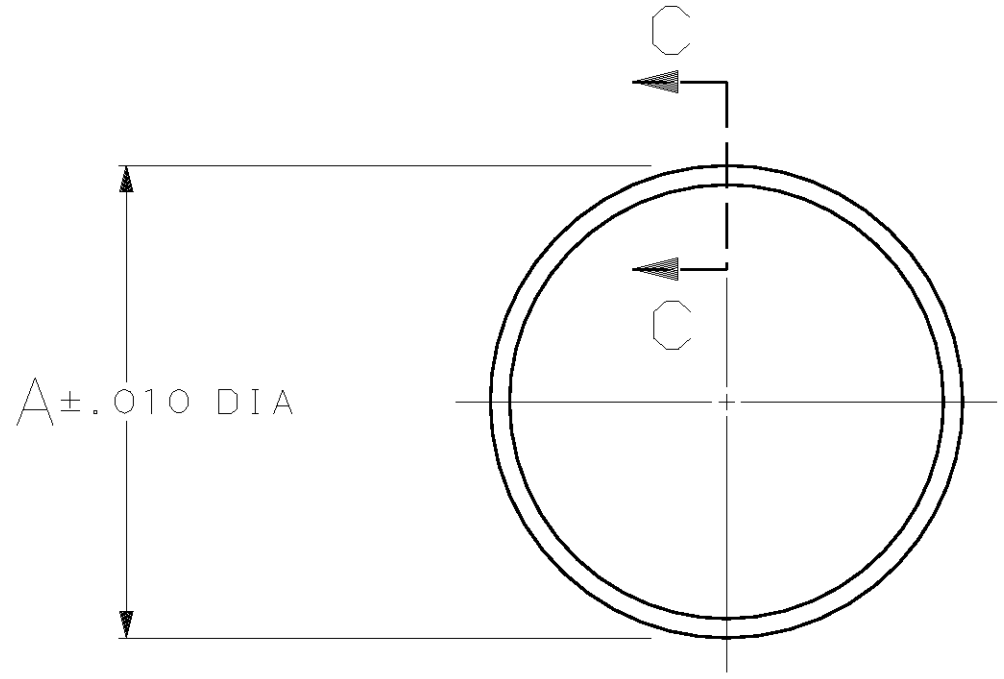
www.Jameco.com ♦ 1-800-831-4242

The content and copyrights of the attached
material are the property of its owner.

Jameco Part Number 913504

THIS DRAWING IS UNPUBLISHED. RELEASED FOR PUBLICATION, 19 .
 © COPYRIGHT 19 BY AMP INCORPORATED. ALL INTERNATIONAL RIGHTS RESERVED.

LOC	DIST	P	F	ZONE	LTR	DESCRIPTION	DATE	APPD
FT	4				G	REDRAWN, REVISED PER ECN BD4590	2-13-91	KB
					H	REV PER ECN BD5503	11/21/91	KB
					J	REV PER ECN BD5870	01/27/92	KB
					J1	RLSE -5 NPR 5014 WAS 93-5029-21	01/06/94	AF
					K	REV PER EC OG1C-155-98	24 SEP 98	RW



SECTION C-C
SCALE 8:1

1.262	.050	32	206403-5
.650	.041	13	206403-4
1.230	.050	23	206403-3
.875	.050	17	206403-2
.514	.041	11	206403-1
A	B	SHELL SIZE	PART NUMBER

DO NOT SCALE PRINT. UNLESS SPECIFIED DIMENSIONS IN INCHES TOLERANCES ON: 2 PLC DEC ± - 3 PLC DEC ± .005 ANGLES ± -	DR 7/24/90 S.RIDGLEY BG	AMP AMP Incorporated Harrisburg, PA 17105-3608
	CHK 2-13-91 J McCLINTON	
MATERIAL ELASTOMER, GRAY	APPD 2-14-91 K BEAVER	NAME SEAL, PERIPHERAL, CPC
FINISH -	APPD 2-14-91 J FULPONI	SIZE B CAGE CODE 00779 DRAWING NO 206403
	PRODUCT SPEC -	SCALE 2:1 SHEET 1 OF 1
	APPLICATION SPEC -	
	WEIGHT -	