

Distributed by:

**JAMECO**<sup>®</sup>  
ELECTRONICS

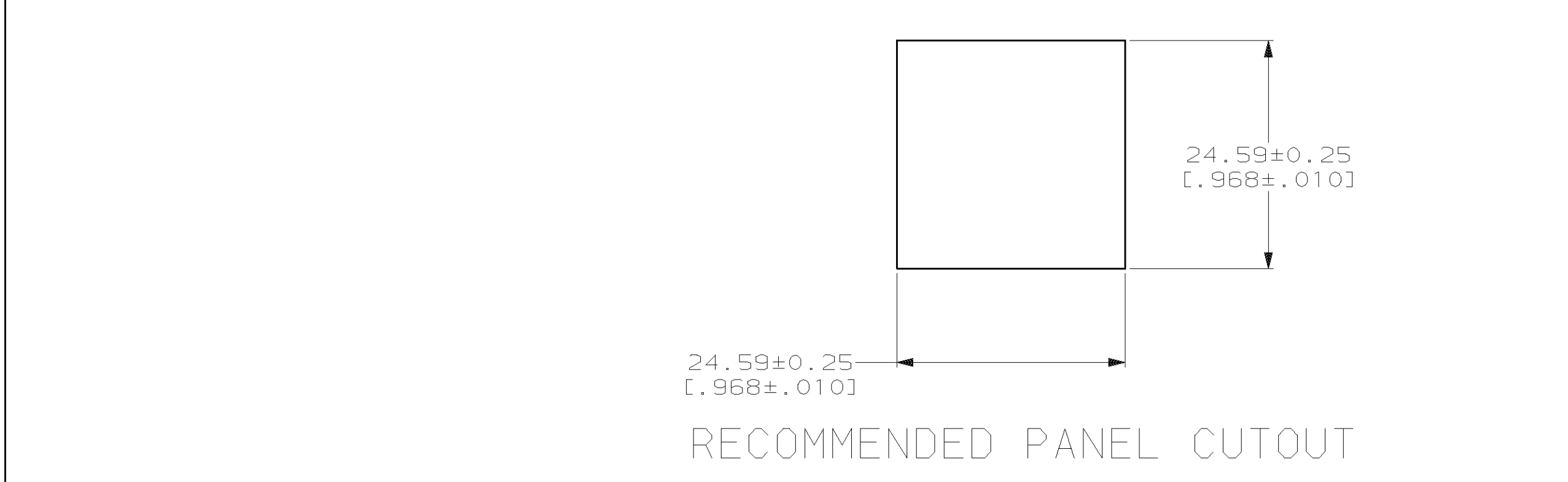
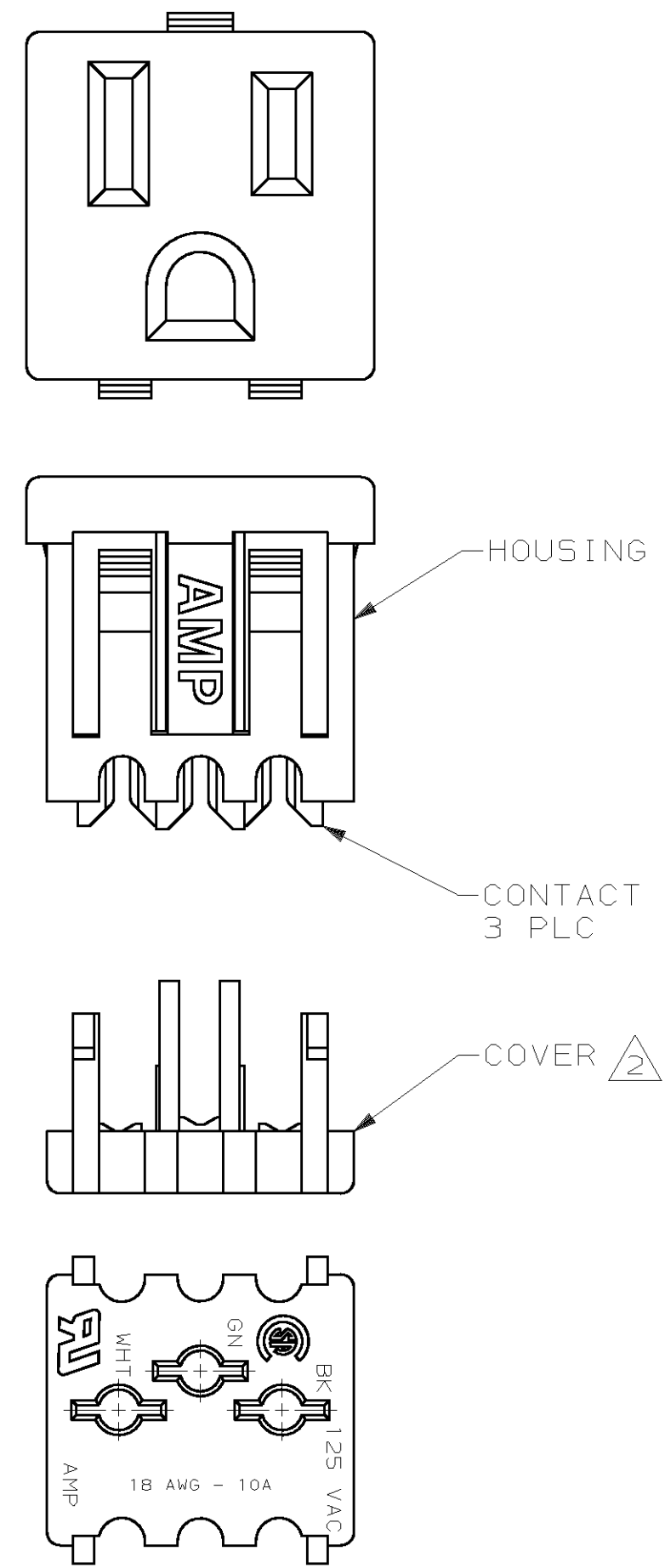
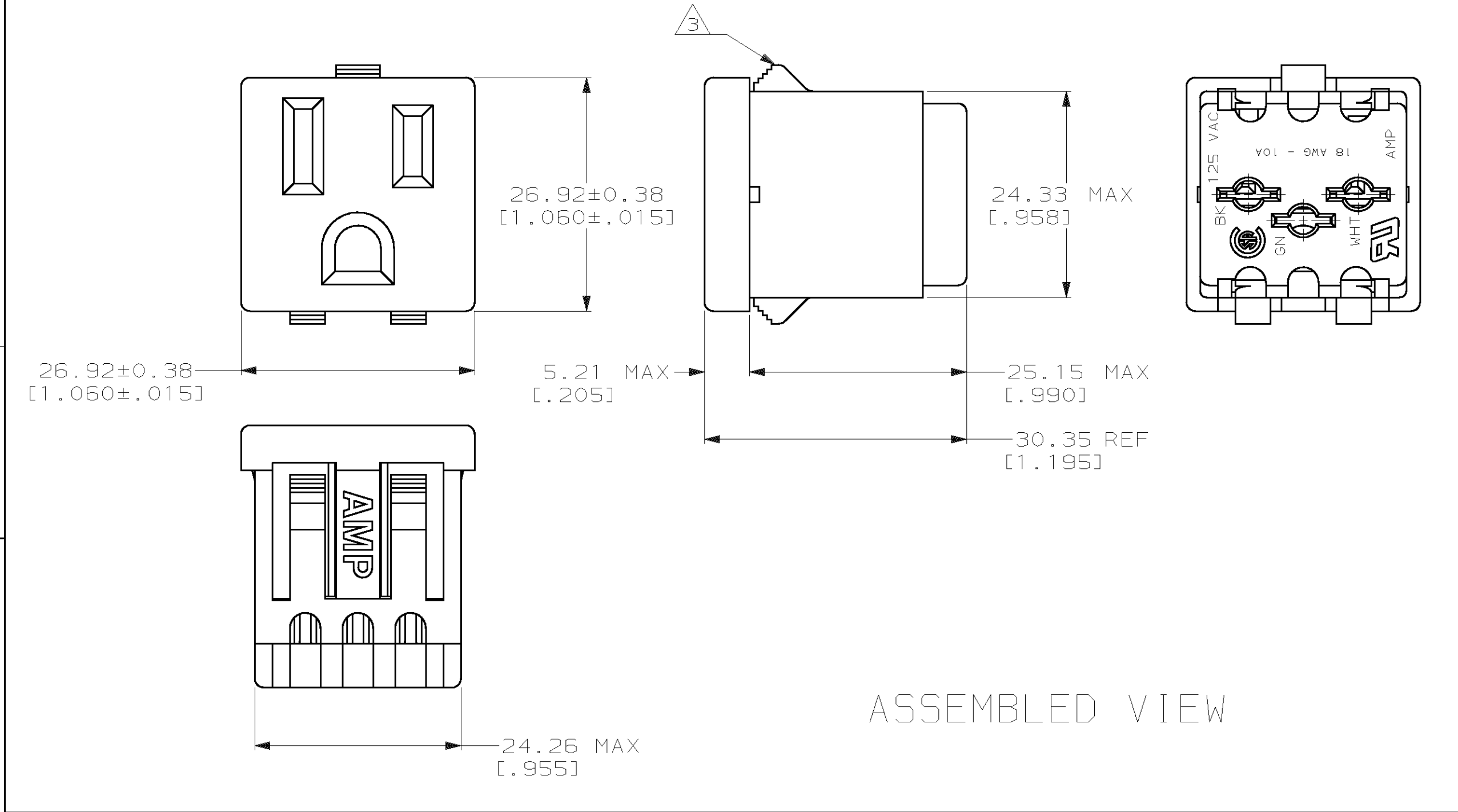
**www.Jameco.com ♦ 1-800-831-4242**

The content and copyrights of the attached  
material are the property of its owner.

Jameco Part Number 919906

THIS DRAWING IS UNPUBLISHED. RELEASED FOR PUBLICATION, 19 .  
 © COPYRIGHT 19 BY AMP INCORPORATED. ALL INTERNATIONAL RIGHTS RESERVED.

LOC		DIST		ZONE		LTR		REVISIONS		DATE	APPD
CM	47	P	F			M		REVISED PER EC 0G3B-0033-02	31-JAN-02	KW	DB



HOUSING COLOR	PART NO
ORANGE	208697-7
ALMOND	208697-4
BLACK	208697-2

- 1. CONTACTS TO ACCEPT 18 AWG SOLID COPPER WIRE.
- 2. COVER PACKAGED UNASSEMBLED.
- 3. SNAP IN FEATURE ACCOMODATES 0.76-1.78 [.030-.070] PANEL THICKNESS ONLY.

DO NOT SCALE PRINT. UNLESS SPECIFIED DIMENSIONS IN mm [INCHES] TOLERANCES ON : 2 PLC DEC ± - 3 PLC DEC ± - ANGLES ± -		DR 3-9-92 H MOLL		AMP Incorporated Harrisburg, PA 17105-3608	
MATERIAL HOUSING: NYLON, SEE TABLE COVER: NYLON, BLACK CONTACTS: BRASS		CHK 3-10-92 J McCLINTON			
FINISH -		APPD 3-10-92 D L ROCKER		NAME RECEPTACLE KIT, UNASSEMBLED, WITH COVER, CONVENIENCE OUTLET	
		APPD 3-10-92 R EASTON		SIZE C 00779	
		PRODUCT SPEC -		DRAWING NO 208697	
		APPLICATION SPEC -		SCALE 2:1	
		WEIGHT -		SHEET 1 OF 1	