

Distributed by:

**JAMECO**<sup>®</sup>  
ELECTRONICS

**www.Jameco.com ♦ 1-800-831-4242**

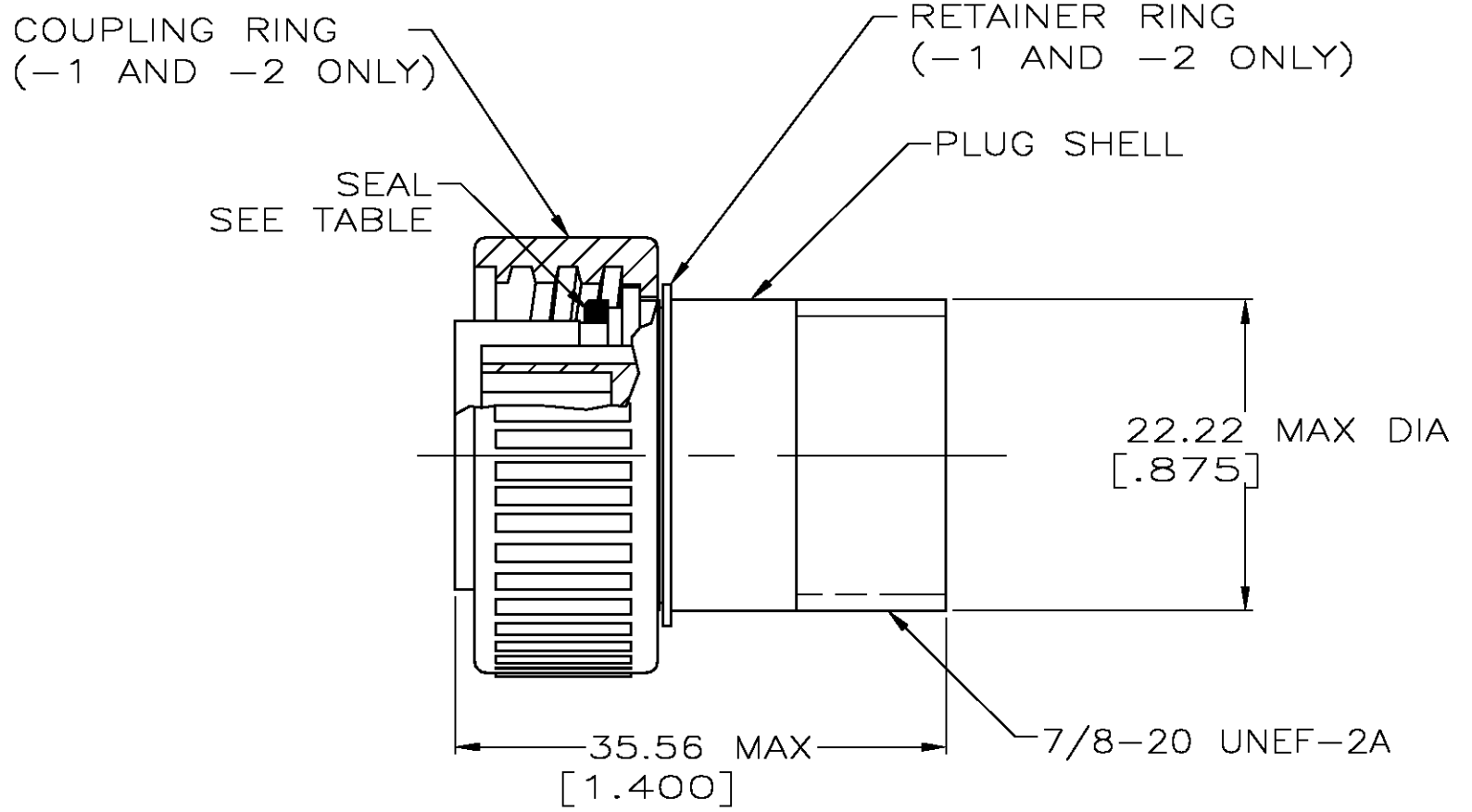
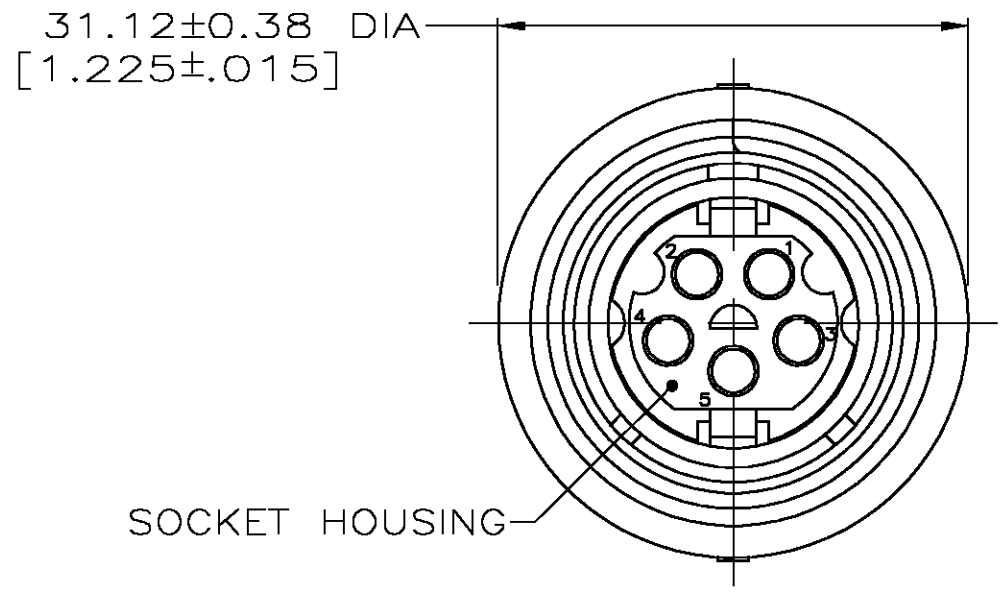
The content and copyrights of the attached  
material are the property of its owner.

Jameco Part Number 920026

THIS DRAWING IS UNPUBLISHED. RELEASED FOR PUBLICATION  
 © COPYRIGHT BY TYCO ELECTRONICS CORPORATION. ALL RIGHTS RESERVED.

LOC	DIST	REVISIONS			
P	LTR	DESCRIPTION	DATE	DWN	APVD
FT	0	J	REVISED PER 0G3B-1093-04	11/23/04	SS GS

- NOTES:
1. THIS CONNECTOR ACCEPTS FIVE (5) SIZE 16 MULTIMATE SOCKET CONTACTS, MAXIMUM WIRE INSULATION DIA = 3.43[.135].
  2. THIS CONNECTOR MATES WITH AMP P/N 208719-1.
  3. AMP P/N AND DATE CODE TO BE LOCATED ON COUPLING RING.
- ⚠ NICKEL PER QQ-N-290 OVER COPPER PER MIL-C-14550.  
 ⚠ ZINC PER QQ-Z-363.



NO	NO	NO	208718-3
YES	YES	YES	208718-2
YES	YES	NO	208718-1
RETAINER RING	COUPLING RING	SEAL	PART NUMBER

THIS DRAWING IS A CONTROLLED DOCUMENT.		DWN D.HARDY 05/23/94	Tyco Electronics Corporation Harrisburg, Pa 17105-3608		
DIMENSIONS: INCHES		CHK R.STONE 05/26/94	NAME PLUG ASSEMBLY, STANDARD SEX, SERIES 1, 14-5, CMC		
		APVD -	PRODUCT SPEC -		
TOLERANCES UNLESS OTHERWISE SPECIFIED: 0 PLC ± - 1 PLC ± - 2 PLC ± - 3 PLC ± - 4 PLC ± - ANGLES ± -		APPLICATION SPEC -	SIZE A3		
MATERIAL SKT HOUSING: THERMOPLASTIC, BLACK SEAL: FLUROCARBON, ELASTOMER RTNR RING: STAINLESS STEEL CPLG RING: ⚠ PLUG SHELL: ⚠		WEIGHT -	CAGE CODE 00779	DRAWING NO C-208718	RESTRICTED TO -
CUSTOMER DRAWING			SCALE 2:1	SHEET 1 OF 1	REV J