

Distributed by:

JAMECO[®]
ELECTRONICS

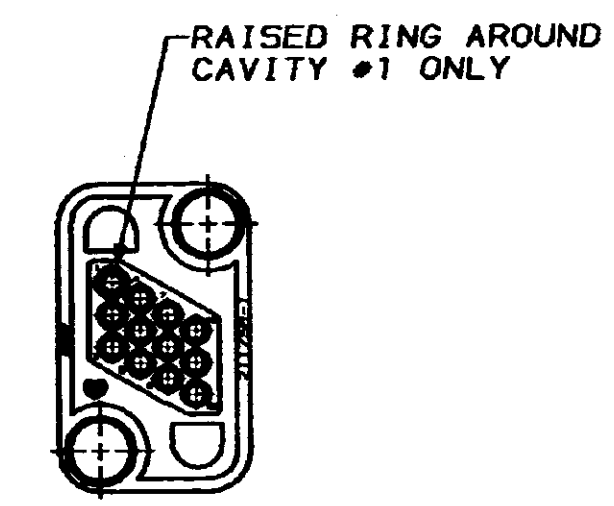
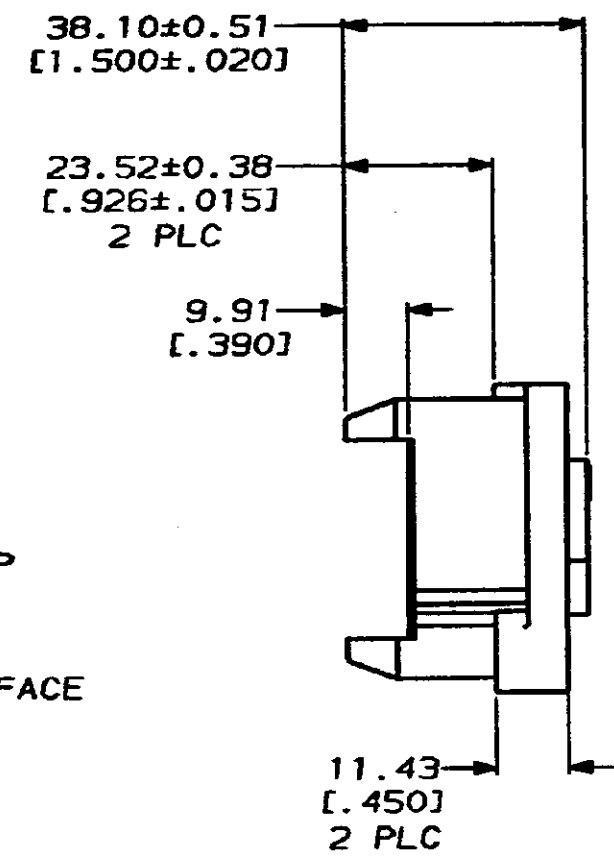
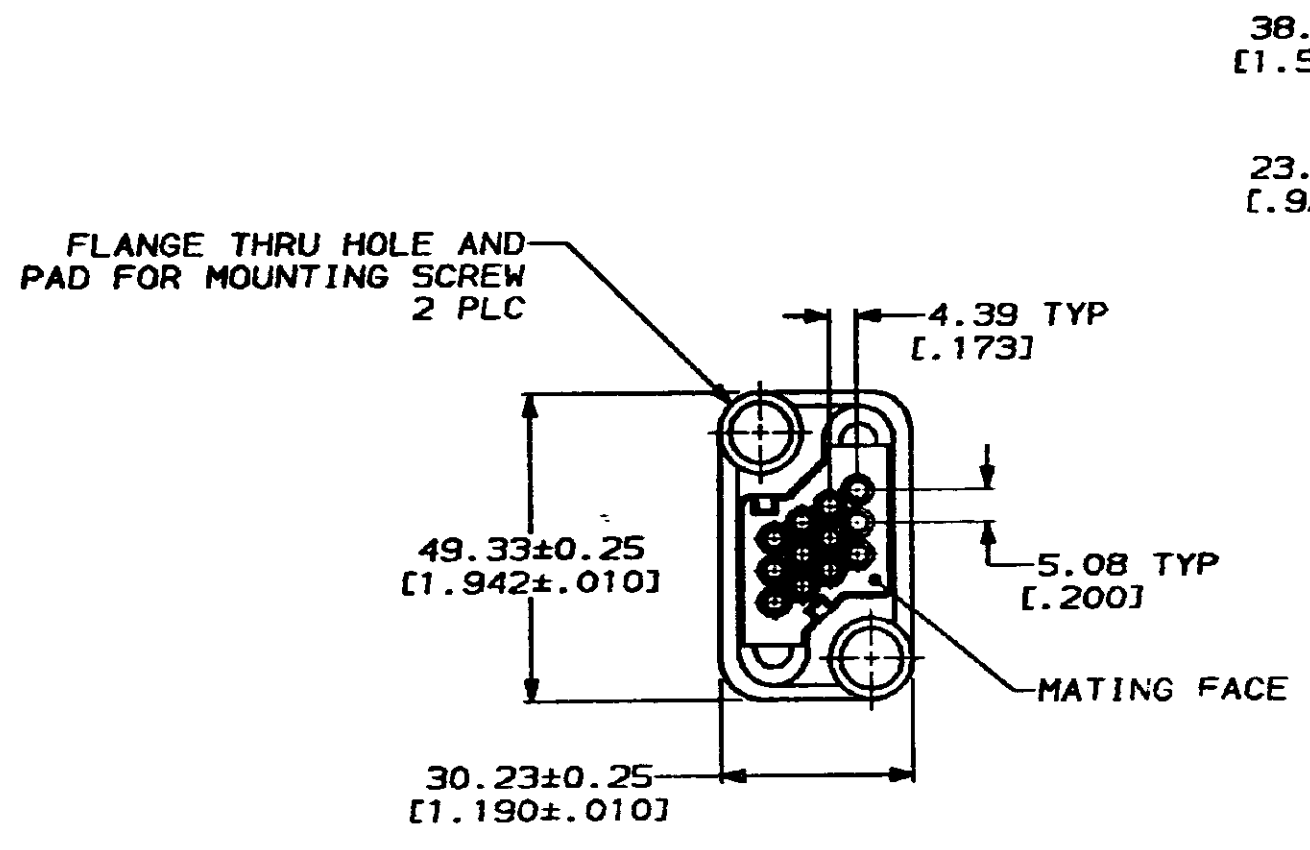
www.Jameco.com ♦ 1-800-831-4242

The content and copyrights of the attached
material are the property of its owner.

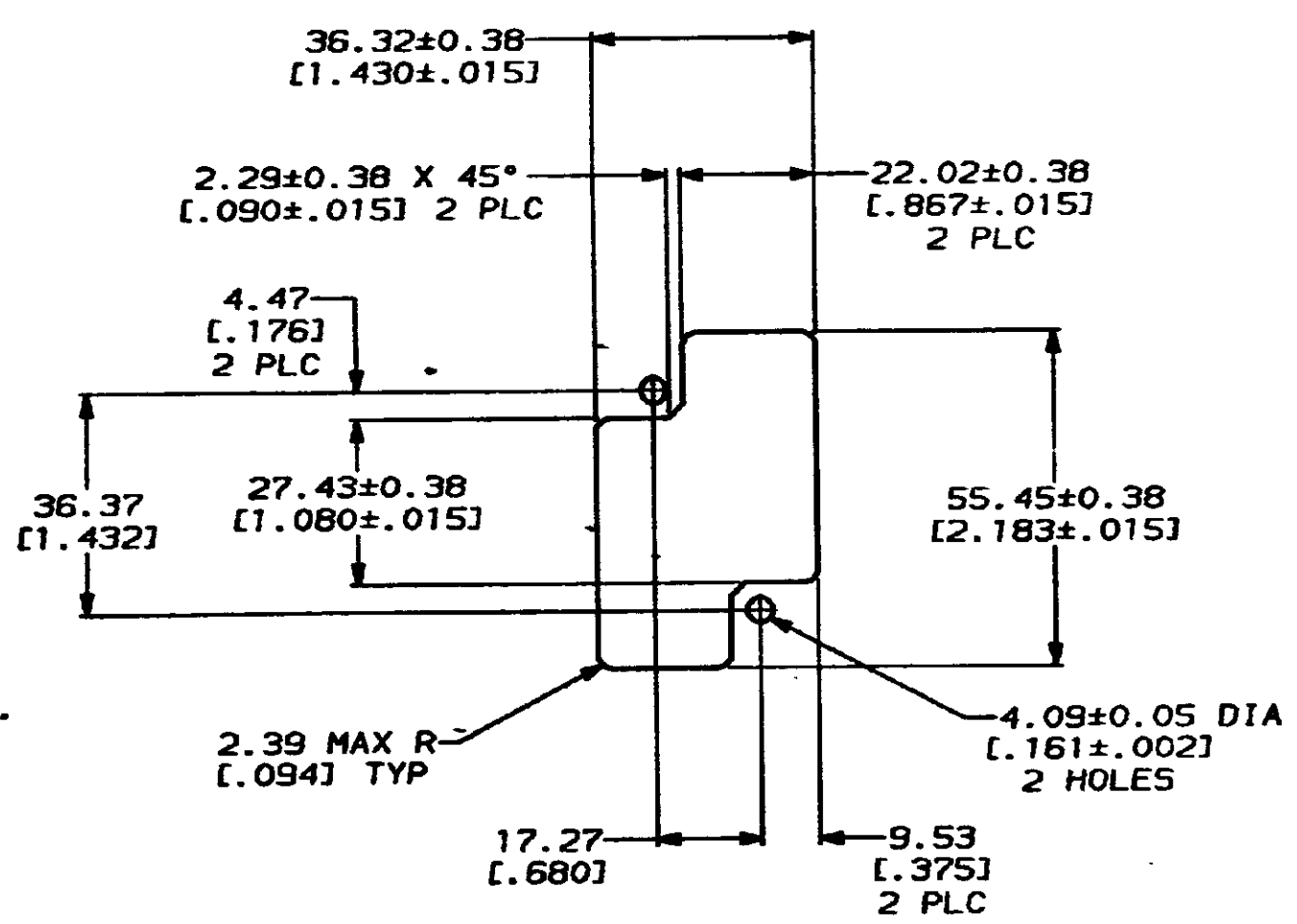
Jameco Part Number 920165

THIS DRAWING IS UNPUBLISHED. RELEASED FOR PUBLICATION .19
 © COPYRIGHT 19 BY AMP INCORPORATED. ALL INTERNATIONAL RIGHTS RESERVED.

REVISE		DATE	APPD
1	BD 37	07/15/92	-
DESCRIPTION			
F REDRAWN WITHOUT CHANGE			



- 211758 MATES WITH 211759.
- MOUNTING SCREW INFORMATION SEE 208211.



SUGGESTED PANEL CUTOUT

THIS DRAWING IS A CONTROLLED DOCUMENT FOR AMP INCORPORATED. IT IS SUBJECT TO CHANGE AND THE CONTROLLER'S SIGNATURE AND DATE SHOULD BE CONTAINED FOR THE LATEST REVISION.

DO NOT SCALE PRINT. UNLESS SPECIFIED DIMENSIONS IN MM [INCHES] TOLERANCES ON:		DR 07/15/92 D.GELTZ		211758-1	
2 PLC DEC ± 0.13 [.005]		CHK 7-20-92 M.G.LENKER		PART NO	
3 PLC DEC ±		APPD 7-21-92 A.TRAVIS		AMP AMP Incorporated Harrisburg, PA 17106-3600	
ANGLES ±		APPD -		NAME	
MATERIAL		PRODUCT SPEC		SOCKET HOUSING, 12 POSITION, METRIMATE	
THERMOPLASTIC, BLACK		APPLICATION SPEC		SIZE	
FINISH		WEIGHT		C 00779	
				DRAWING NO	
				C-211758	
				SCALE 1:1	
				SHEET 1 OF 1	

CUSTOMER DRAWING

211758