

Distributed by:

**JAMECO**<sup>®</sup>  
ELECTRONICS

**www.Jameco.com ♦ 1-800-831-4242**

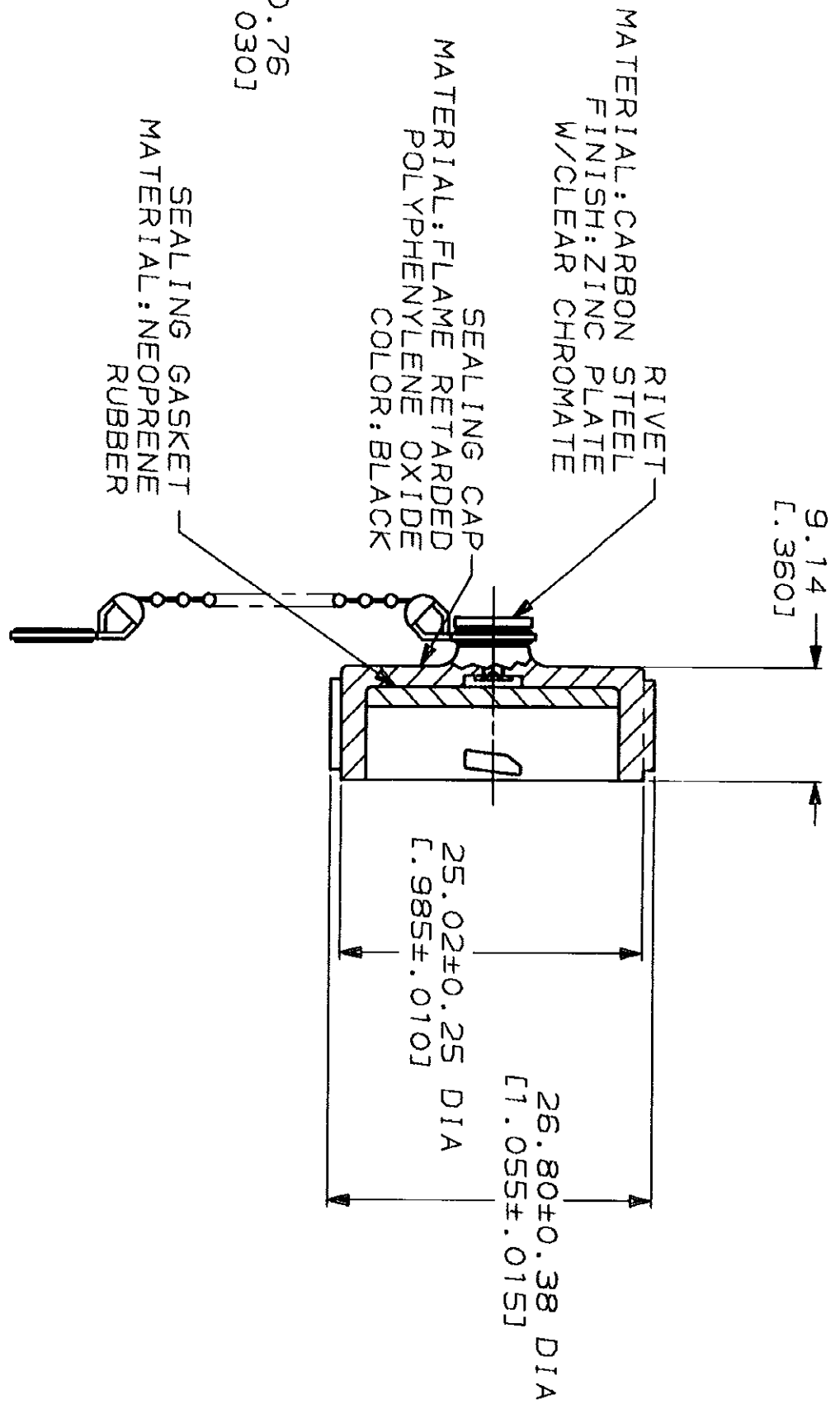
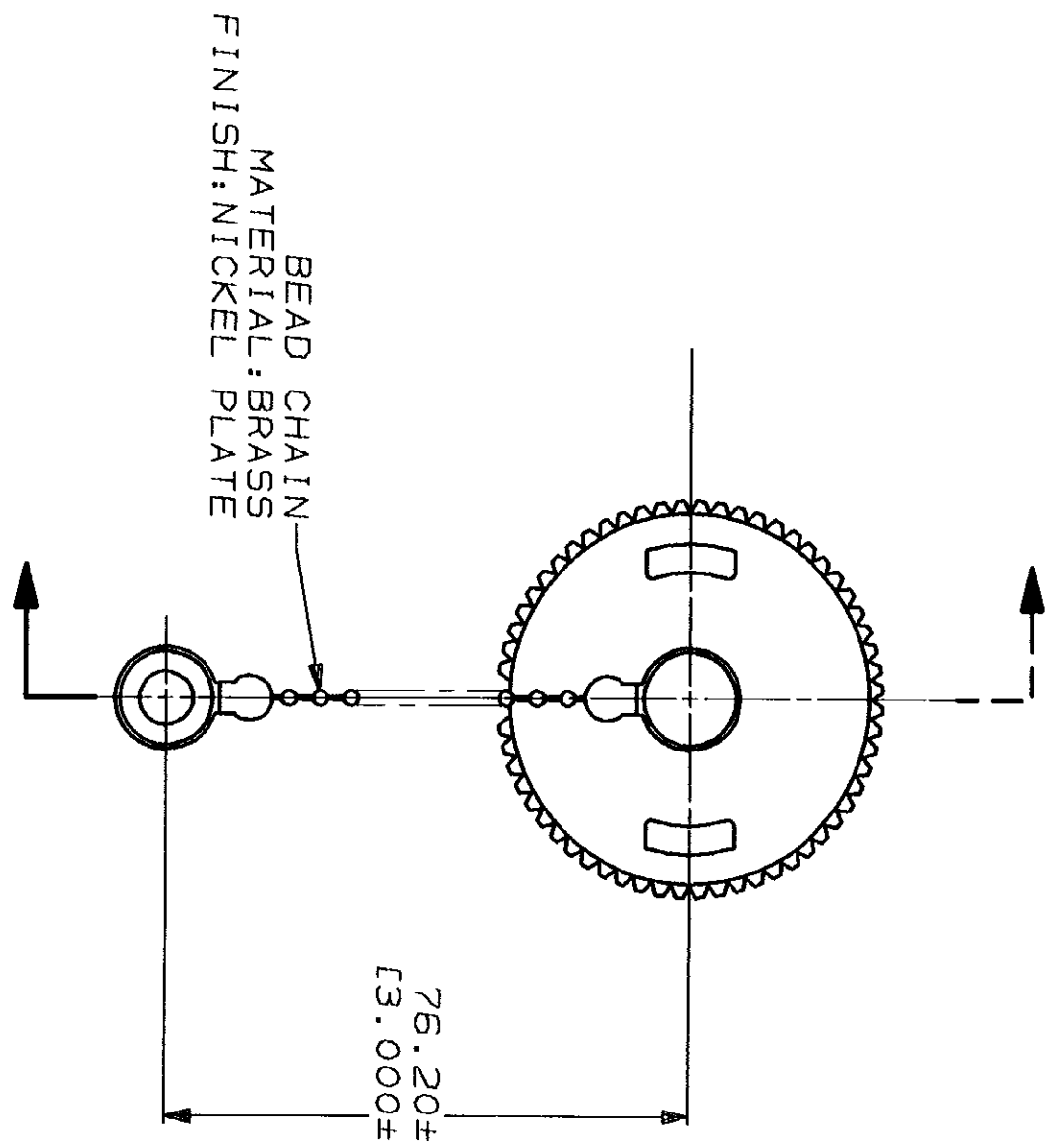
The content and copyrights of the attached  
material are the property of its owner.

Jameco Part Number 920413

THIS DRAWING IS UNPUBLISHED. RELEASED FOR PUBLICATION BY AMP INCORPORATED. ALL INTERNATIONAL RIGHTS RESERVED. © COPYRIGHT 19 19 .

MOD	LOC	DIST	P	F	ZONE	LTR	DESCRIPTION	DATE	APPD
4	BD	35			A		REDRAWN & REV PER EC 0020-680-93	6-9-93	AF

REVISIONS	
DESCRIPTION	DATE



213485-1  
PART  
NUMBER

PART NO

DO NOT SCALE PRINT. UNLESS SPECIFIED DIMENSIONS IN MM (INCHES) TOLERANCES ON: 2 PLC DEC # 0.13(.005) 3 PLC DEC # - ANGLES -	DR 6-9-93 D.BROCKWAY	AMP AMP Incorporated Harrisburg, PA 17105-3608
MATERIAL	APPD 7-1-93 AL FRANTUM	NAME SEALING CAP ASSY, SIZE 13, W BEAD CHAIN, CPC
SEE CALLOUTS	PRODUCT SPEC	SIZE B
SEE CALLOUTS	APPLICATION SPEC	CAGE CODE 00779
FINISH	WEIGHT -	DRAWING NO G-213485
SEE CALLOUTS		SHEET 1 OF 1

THIS DRAWING IS A CONTROLLED DOCUMENT FOR AMP INCORPORATED. IT IS SUBJECT TO CHANGE AND THE CONTROLLING ENGINEERING ORGANIZATION SHOULD BE CONTACTED FOR THE LATEST REVISION.

AMP 1470-15 REV 3-92

CUSTOMER DRAWING