

Distributed by:

**JAMECO**<sup>®</sup>  
ELECTRONICS

**www.Jameco.com ♦ 1-800-831-4242**

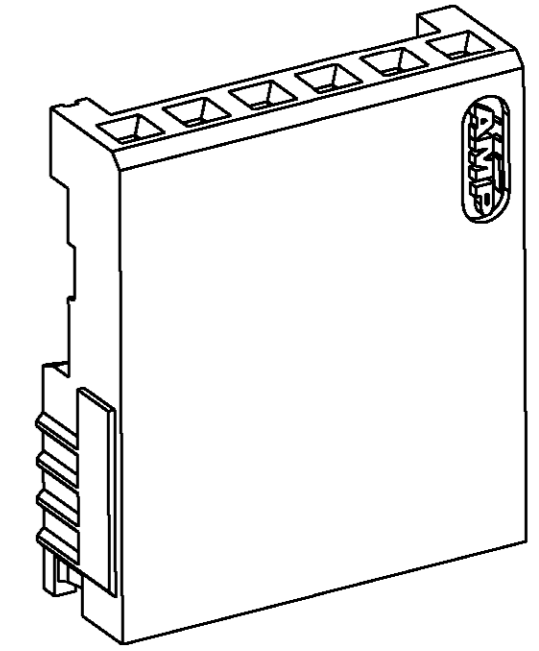
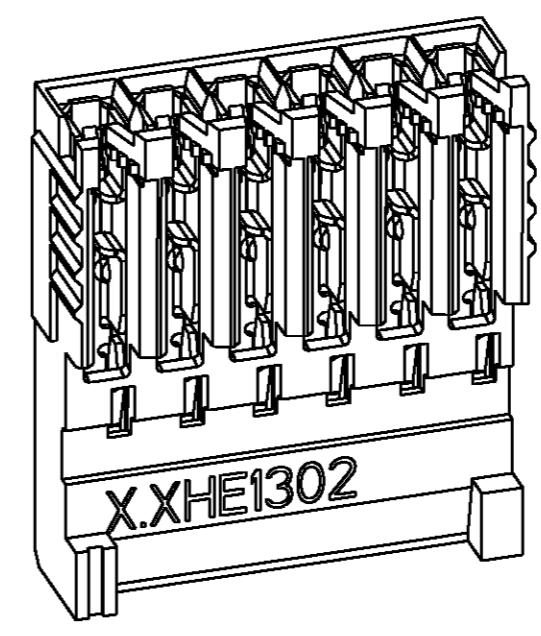
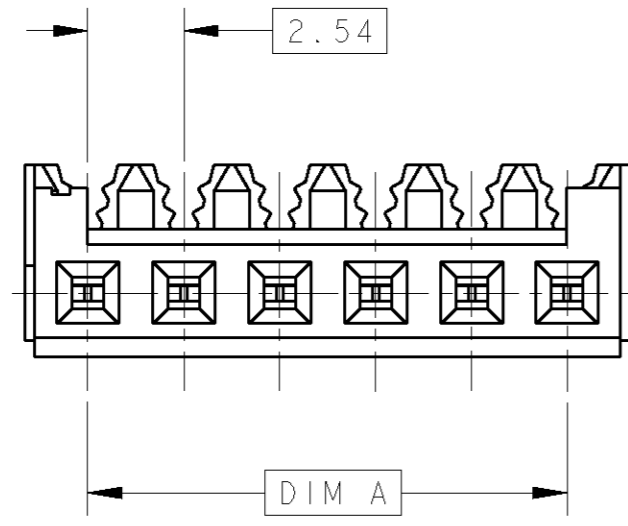
The content and copyrights of the attached  
material are the property of its owner.

Jameco Part Number 921539

THIS DRAWING IS UNPUBLISHED. / RELEASED FOR PUBLICATION  
 DIFFUSION RESTREINTE / LIBRE A LA DIFFUSION  
 © COPYRIGHT 20 / BY TYCO ELECTRONICS CORPORATION. ALL RIGHTS RESERVED.  
 TOUS DROITS RESERVES

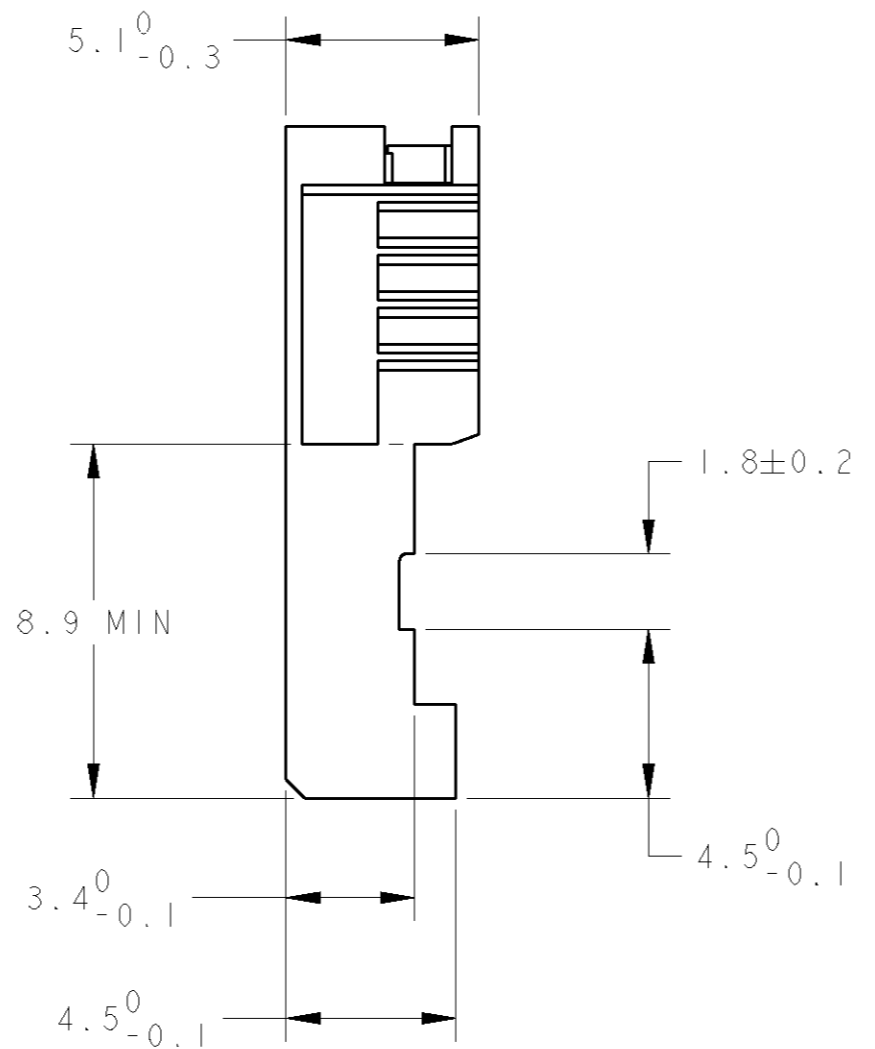
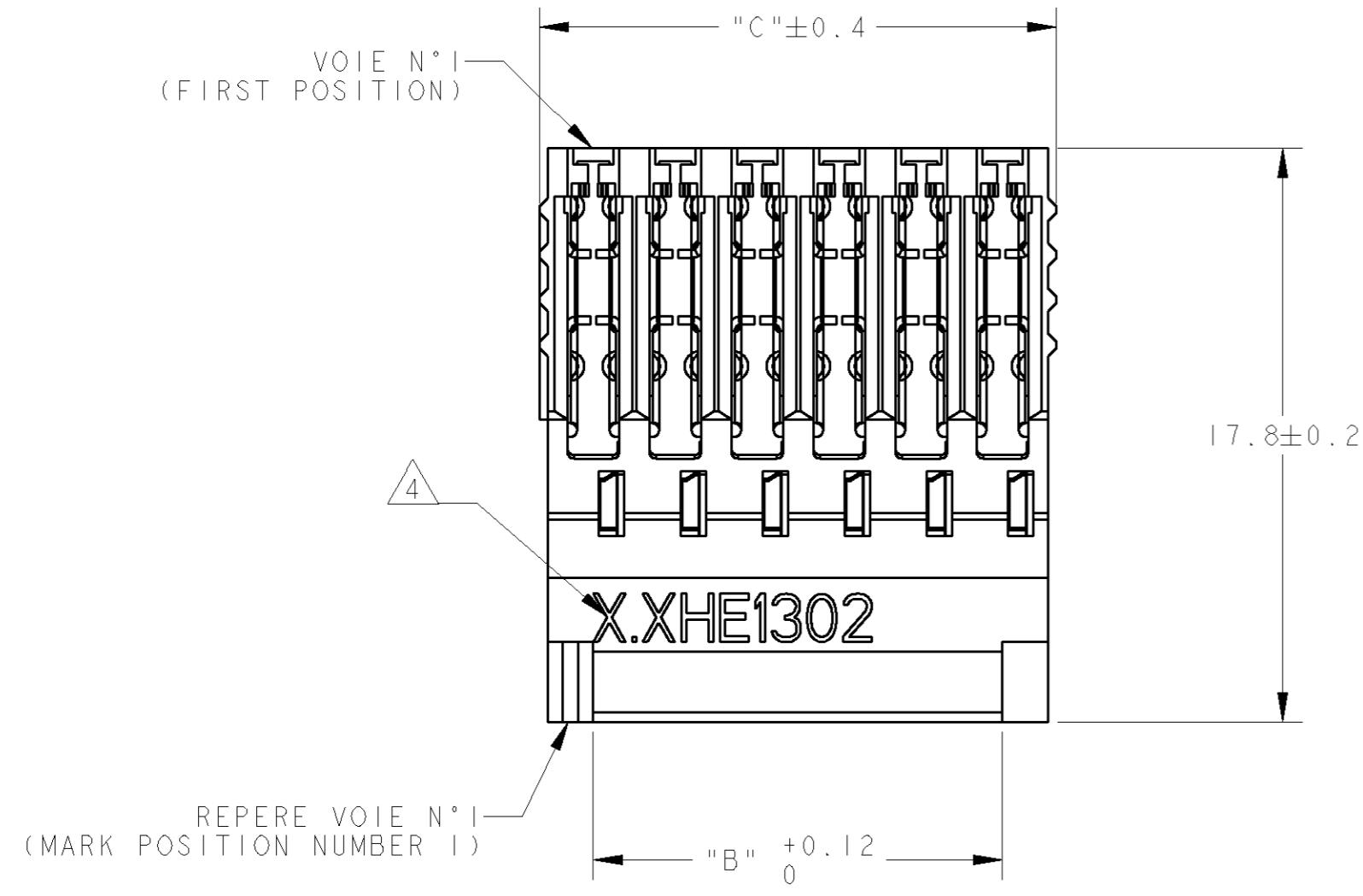
FILS ADMISSIBLES (ACCEPTABLE WIRES)	
JAUGE (AWG) SECTION / 7 BRINS (7 STRANDS)	26-24 0.12-0.22mm <sup>2</sup>
ISOLANT: Ø MAX / MATIERE (INSUL.: Ø MAX / MAT'L)	Ø 1.2 / PVC

LOC		DIST		REVISIONS			
F	7	P	LTR	DESCRIPTION MODIFICATIONS	DATE	DWN DESS.	APVD APP.
		A		REDESSINE	06/90	AC	-
		B		REDESSINE SUR (REDRAWN ON) PRO/ENG	10SEP2002	CC	YP



ECHELLE 4:1

ECHELLE 4:1



REFERENCE	DATE	DESCRIPTION	DATE	DESIGNER	APPROVER
OBSELETE	64.30	60.96	25	2 281784 5	
OBSELETE	61.76	58.42	24	2 281784 4	
OBSELETE	59.22	55.88	23	2 281784 3	
OBSELETE	56.68	53.34	22	2 281784 2	
OBSELETE	54.14	50.80	21	2 281784 1	
OBSELETE	51.60	48.26	20	2 281784 0	
OBSELETE	49.06	45.72	19	1 281784 9	
	46.52	43.18	18	1-281784-8	*
OBSELETE	43.98	40.64	17	1 281784 7	
OBSELETE	41.44	38.10	16	1 281784 6	
	38.90	35.56	15	1-281784-5	*
OBSELETE	36.36	33.02	14	1 281784 4	
OBSELETE	33.82	30.48	13	1 281784 3	
	31.28	27.94	12	1-281784-2	*
OBSELETE	28.74	25.40	11	1 281784 1	
	26.20	22.86	10	1-281784-0	*
OBSELETE	23.66	20.32	9	0 281784 9	
	21.12	17.78	8	0-281784-8	*
OBSELETE	18.58	15.24	7	0 281784 7	
	16.04	12.70	6	0-281784-6	*
	13.50	10.16	5	0-281784-5	*
	10.96	7.62	4	0-281784-4	*
	8.42	5.08	3	0-281784-3	*
	5.88	2.54	2	0-281784-2	*
DIMENSIONS		A, B	Nb DE POS	REFERENCES (PART No)	

- 1 CES CONNECTEURS SONT PREVUS POUR ETRE ACCOUPLES AVEC LES EMBASES 'HE1302' SIMPLE RANGEE (THESE CONNECTORS ARE DESIGNED TO BE MATED WITH 'HE1302' HEADERS SINGLE ROW)
- 2 LES REFERENCES SUIVIES D'UN ' \* ' SONT LES VERSIONS NORMALISEES SELON LA 'CEI 603-8' (THE PART-NO FOLLOWED BY ' \* ' ARE COVERED BY THE INTERNATIONAL STANDARD 'IEC603-8')
- 3 REVETEMENT DES CONTACTS: 0.38µm D'OR DANS LA ZONE DE CONTACT, ETAIN SUR LA SORTIE CAD, SOUS-COUCHE NICKEL (CONTACTS PLATING: 0.38µm GOLD ON CONTACT AREA, TIN ON I.D. BARREL AREA, NICKEL UNDERPLATING)
- 4 "X.X" EST REMPLACÉ PAR LES DEUX DEUXIEME CHIFFRES DU COUPLE DES JAUGES AWG ("X.X" REPLACED BY THE TWO SECOND DIGIT OF THE PAIR OF AWG AS DEFINED IN TABLE)
- 5 MATIERES - BOITIER: PBT UL94V0 - CONTACTS: BRONZE PHOSPHOREUX. (MATERIALS - CASE: PBT UL94V0 - CONTACTS: PHOSPHOR BRONZE)

<small>THIS DRAWING IS A CONTROLLED DOCUMENT FOR TYCO ELECTRONICS CORPORATION IT IS SUBJECT TO CHANGE AND THE CONTROLLING ENGINEERING ORGANIZATION SHOULD BE CONTACTED FOR THE LATEST REVISION.          CE PLAN EST UN DOCUMENT CONTRÔLÉ PAR AMP INCORPORATED. IL EST SUSCEPTIBLE D'ÊTRE REVISÉ. CONTACTER LE SERVICE TECHNIQUE D'AMP DE FRANCE POUR OBTENIR LA DERNIÈRE RÉVISION.</small>		DWN/DESSINE 29NOV2000 C. COMBEDOUZON CHK/VERIFIE 29NOV2000 I. CORRIEU APVD/APROUVE 29NOV2000 Y. PETRONIN		<b>AMP</b> AMP DE FRANCE 95301 PONTOISE	
DIMENSIONS: mm 		TOLERANCES UNLESS OTHERWISE SPECIFIED: (SUIV NB DE DECIMALES) 0 PLC/DEC: ± 1 PLC/DEC: ±0.3 2 PLC/DEC: ± 3 PLC/DEC: ± 4 PLC/DEC: ± ANGLES ±°		NAME TITRE HE 1302 PLUG, 180 deg IDC SINGLE ROW PRODUCT SPEC SPEC. PRODUIT 108-15053 APPLICATION SPEC SPEC. APPLICATION	
MATERIAL/MATIERE 		FINISH/FINITION 		SIZE FORMAT A2 CAGE CODE 00779 DRAWING NO No PLAN C-281784 RESTRICTED TO RESERVE A	
CUSTOMER DRAWING /PLAN CLIENT		UNIQUEMENT POUR REFERENCE		SCALE ECHELLE 5:1 SHEET FEUILLE OF DE REV B	