

Distributed by:

**JAMECO**<sup>®</sup>  
ELECTRONICS

**www.Jameco.com ♦ 1-800-831-4242**

The content and copyrights of the attached  
material are the property of its owner.

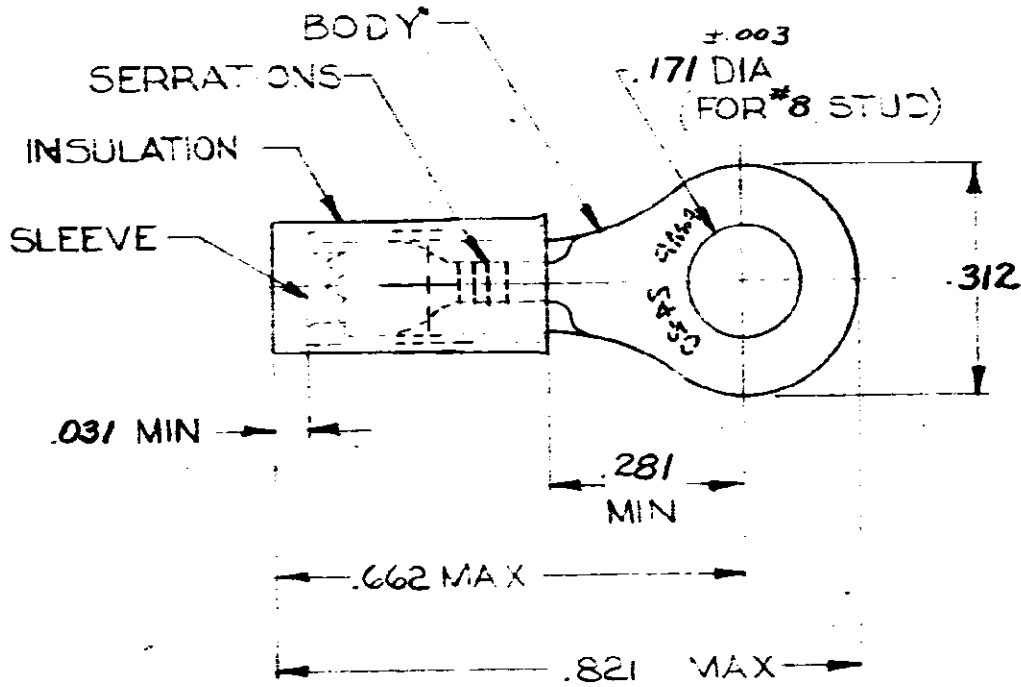
Jameco Part Number 938912

DRAWING MADE IN AMERICAN PROJECTION

LOC **G** PRINT DIST **14 D**

© 1956 BY AMP INCORPORATED. ALL RIGHTS RESERVED. AMP PRODUCTS COVERED BY PATENTS AND/OR PATENTS PENDING.

REVISIONS			
LTR	DESCRIPTION	DATE	APPROVED
C	REDRAWN & ADDED TAPE NO.	June 18-69	RHW
D	REVISED	P-6075 <sup>MM</sup> 2-4-70	JML



**RECORD PRINT**  
RETURN TO FILE

FOR .040 TO .100 WIRE INSULATION D.A.  
TONGUE MATERIAL THK. = .023 ±.002

1	323989 ON TAPE	1-323989-0	BODY & SLEEVE: COPPER (QQ-C-576)
1	WIRE TERMINAL	323989	INSULATION: NATURAL NYLON (MIL-M-20693) TYPE I
QTY	DESCRIPTION	PART NO.	MATERIAL & FINISH
UNLESS OTHERWISE SPECIFIED DIMENSIONS ARE IN INCHES. TOLERANCES ON: DECIMALS: .008 ANGLES: 30°		CONTRACT NO. DR. <i>Am E...</i> 4/8/69 CDR. <i>RHW</i> 4-15-69 APPD. <i>H. Young</i> 4-15-69 RE. <i>Am E...</i> 4-15-69	AMP INCORPORATED HARRISBURG, PENNSYLVANIA
MATERIAL		DR. <i>Am E...</i> 4/8/69	NAME: WIRE TERMINAL
SEE TABLE		APPD. <i>H. Young</i> 4-15-69	P.I.D. & RING TONGUE
		RE. <i>Am E...</i> 4-15-69	WIRE SIZE: 24-20
		DSGN APPD. <i>J.</i>	SIZE: A
		OTHER APPD.	CODE IDENT NO.: 00779
			NUMBER: 323989
			SCALE: NTS
			SHEET: 1 OF 1