

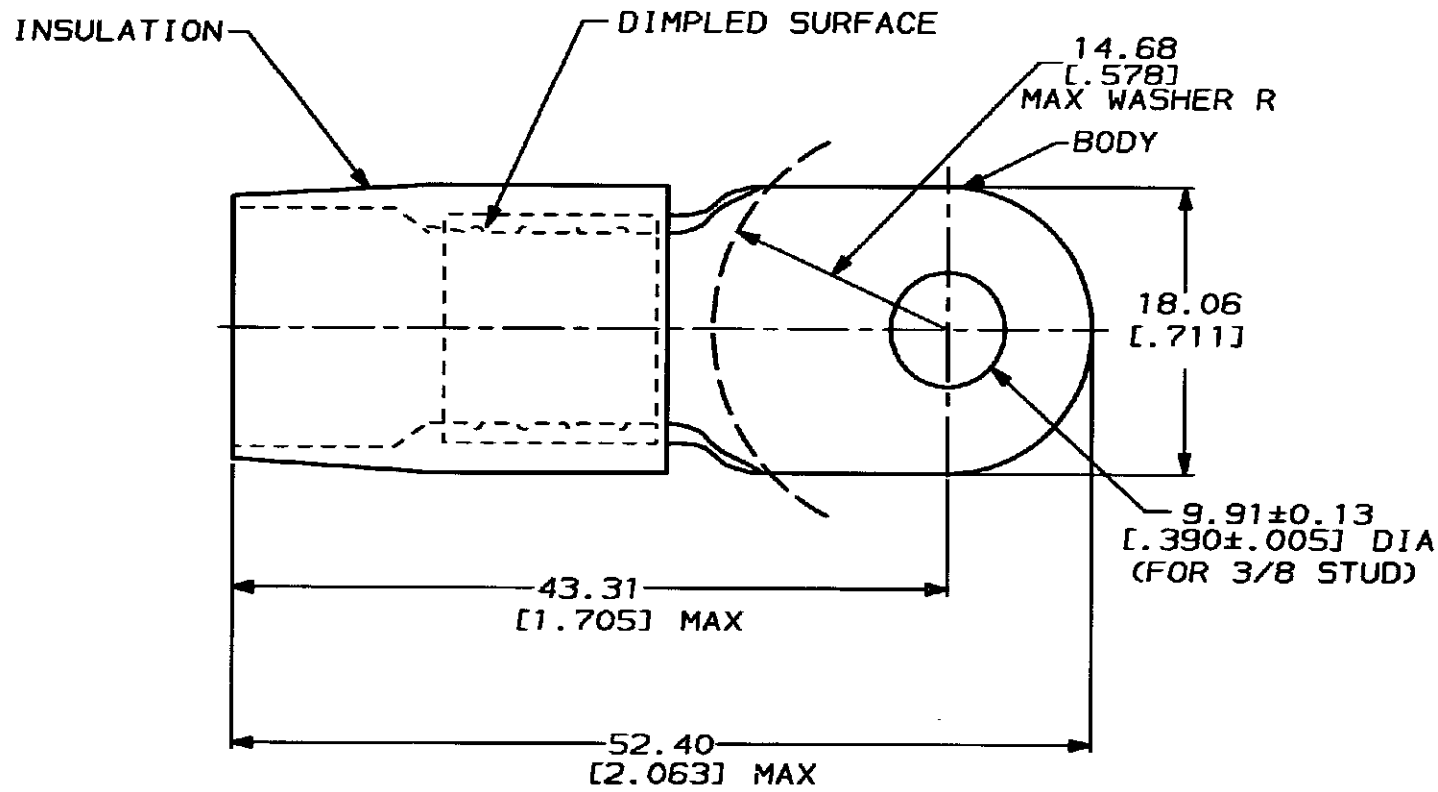
Distributed by:

**JAMECO**<sup>®</sup>  
ELECTRONICS

**www.Jameco.com ♦ 1-800-831-4242**

The content and copyrights of the attached  
material are the property of its owner.

Jameco Part Number 939093



**AMP**  
 WIRE RANGE  
 2 AWG  
 STRANDED

**METRIC**  
 DIMENSIONS LISTED IN mm [ INCHES ]

1. TONGUE MATERIAL THK 1.45±0.08 [.057±.003]  
 FOR 11.89 [.468] MAX WIRE INS DIA

**AMP INCORPORATED  
 CUSTOMER SERVICE SYSTEMS**

FOR ADDITIONAL PRODUCT INFORMATION OR COPIES OF DRAWINGS AND TECHNICAL DOCUMENTS	PRODUCT INFORMATION CENTER 1-800-522-6752
FOR APPLICATION TOOLING INFORMATION	TOOLING ASSISTANCE CENTER 1-800-722-1111
FOR ORDER ENTRY	1-800-526-5142

MAX RECOMMENDED OPERATING TEMPERATURE:  
105°C

VOLTAGE RATING:  
-

CIRCULAR MIL AREA:  
26.7-42.4mm² [52,600-83,700]  
STRANDED

MS25036-127 CLASS 2	-	LOOSE PC	324054
MILITARY P/N & CLASS	QTY	PACKAGE TYPE	PART NO
DO NOT SCALE PRINT. UNLESS SPECIFIED	DR 6-21-93 S.S. BOULDEN	<b>AMP</b> AMP Incorporated Harrisburg, PA 17105-3608	
TOLERANCES UNLESS OTHERWISE SPECIFIED: 2 PLC DEC ± 0.20(.008) 3 PLC DEC ± - ANGLES ± -	CHK 6-21-93 R. HERSEY	NAME	
MATERIAL COPPER PER ASTM B-152 NYLON (MIL-N-20693) TYPE 1 COLOR: RED	APPD 6-21-93 B. BARE	TERMINAL, RING TONGUE, TERMINYL WIRE SIZE: 2 AWG	
FINISH TIN PLATE PER MIL-T-10727	APPD 6-21-93 H. ELLIS	PRODUCT SPEC	
	APPLICATION SPEC	SIZE	CAGE CODE
	WEIGHT	B	00779
		SCALE	DRAWING NO
		NTS	C-324054
			SHEET
			1 OF 1