

Distributed by:

JAMECO[®]
ELECTRONICS

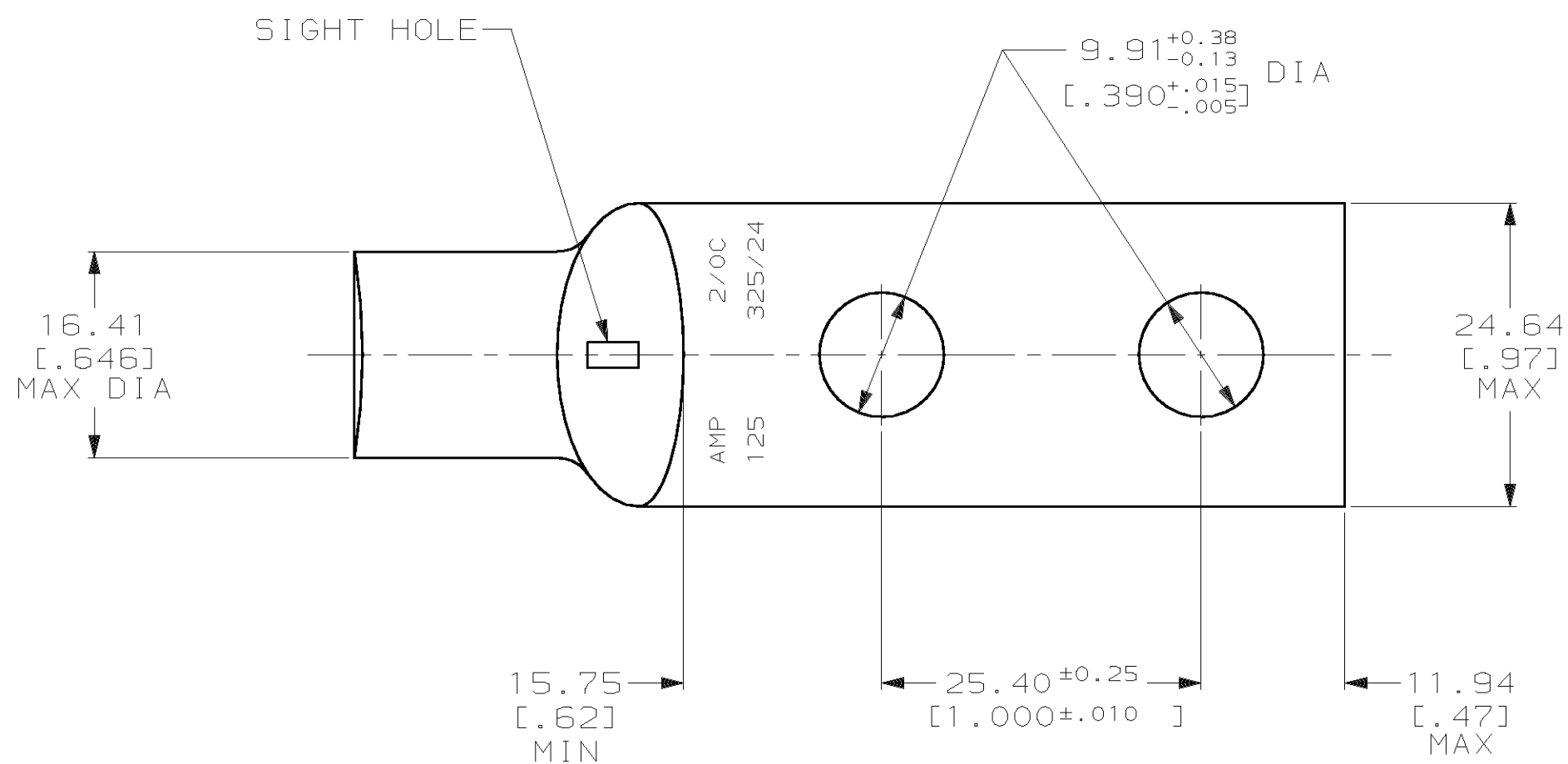
www.Jameco.com ♦ 1-800-831-4242

The content and copyrights of the attached
material are the property of its owner.

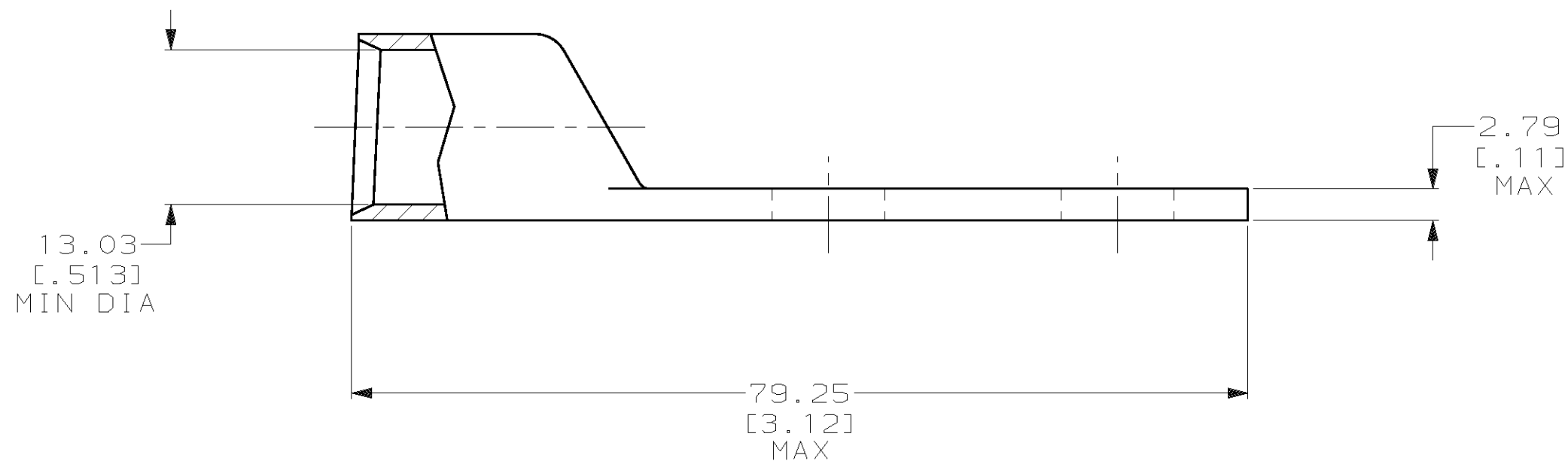
Jameco Part Number 939608

THIS DRAWING IS UNPUBLISHED. RELEASED FOR PUBLICATION, 19 .
 © COPYRIGHT 19 BY AMP INCORPORATED. ALL INTERNATIONAL RIGHTS RESERVED.

LOC		DIST		REVISIONS				DATE	APPD
ZONE	LTR	DESCRIPTION	DATE	APPD					
G	86	P	F	U	REV PER 0G3A-0561-01	09OCT02	JR		



1 CIRCULAR MIL AREA RANGE: 119,500-150,500 CM
 2 TIN PL 0.00381 [.000150] MIN THK PER MIL-T-10727



326801

B

A

326801

PART NO

DO NOT SCALE PRINT.
 UNLESS SPECIFIED
 DIMENSIONS IN mm [INCHES]
 TOLERANCES ON :
 2 PLC DEC ± 0.51 [.020]
 3 PLC DEC ± -
 ANGLES ± -
 MATERIAL
 ANNEALED COPPER
 ASTM B-75
 FINISH
 2

DR 02/28/90
 DK SCHRUM
 CHK 18JAN95
 MS FEHER
 APPD 18JAN95
 WJ VOCKROTH
 APPD 18JAN95
 TL SHUTTER
 PRODUCT SPEC
 -
 APPLICATION SPEC
 -
 WEIGHT .080 LB

AMP INCORPORATED Harrisburg, Pa. 17105		
NAME		
TERMINAL, AMPPOWER™ WIRE SIZE: 2/0 AWG		
SIZE	CAGE CODE	DRAWING NO
C	00779	326801
SCALE	2:1	SHEET
		1 OF 1

