

Distributed by:

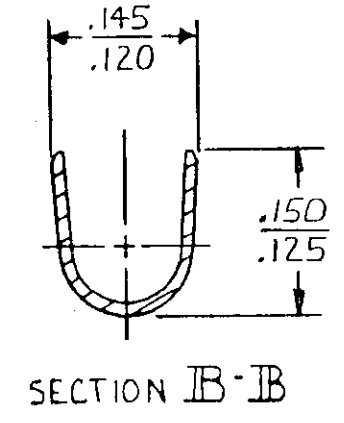
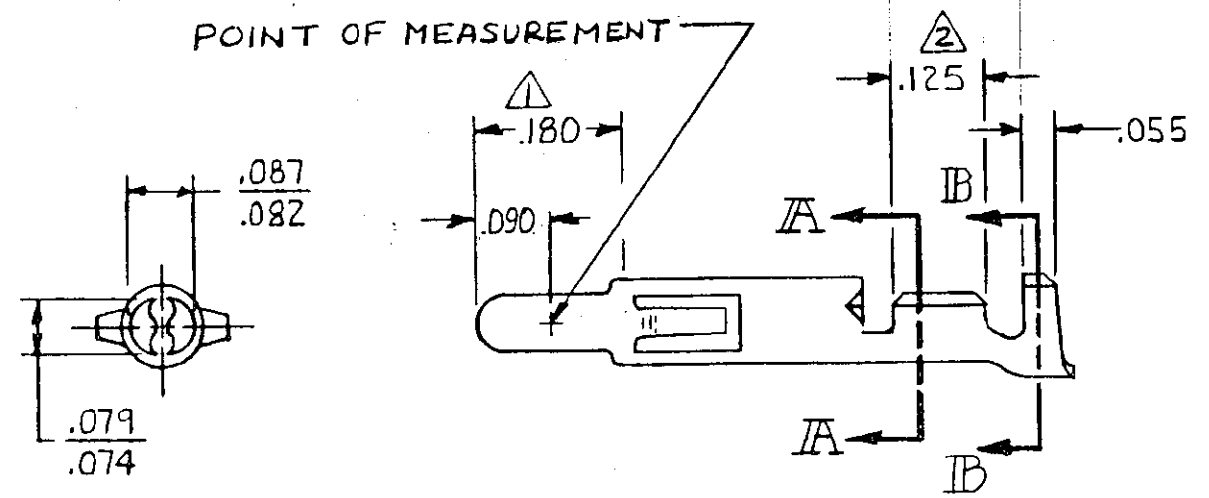
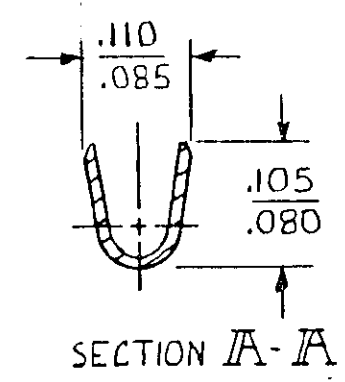
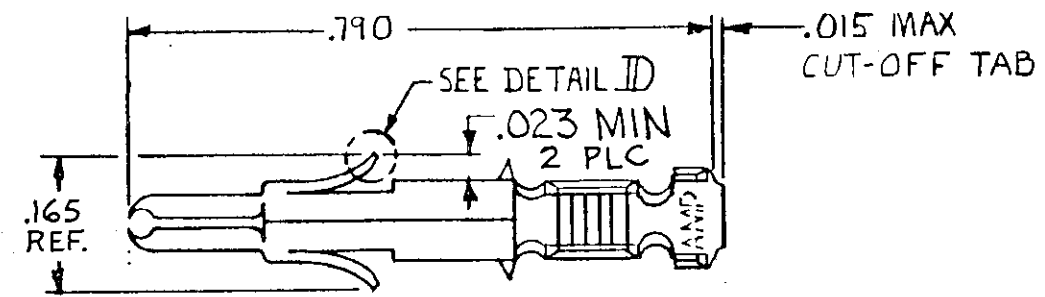
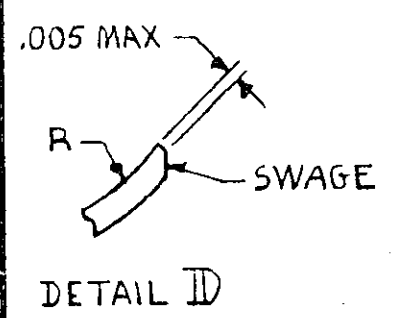
JAMECO[®]
ELECTRONICS

www.Jameco.com ♦ 1-800-831-4242

The content and copyrights of the attached
material are the property of its owner.

Jameco Part Number 941610

© COPYRIGHT 1975 BY AMP INCORPORATED, HARRISBURG, PA.
ALL INTERNATIONAL RIGHTS RESERVED. AMP INCORPORATED PRODUCTS
COVERED BY U. S. AND FOREIGN PATENTS AND/OR PATENTS PENDING.



⚠ PLATED WITH .000030 GOLD, OVER .000050 NICKEL UNDERPLATE.
⚠ PLATED INTERNALLY WITH .000030 GOLD.

REVISIONS						
P.	F.	ZONE	LTR	DESCRIPTION	DATE	APPROVED
✓	✓		D	REDRAWN & UPDATED M-6457	6-8-81	MSF/SH
✓			E	REVISED M-7350	7/25/83	DAS/SH
✓			F	REVISED AG 57	10/21/83	SO W. JAMES S. JAMES
✓			FI	RESTORED	4/23/85	MC/KS
✓			G	REVISED PER CM-1728	9-6-88	PH/TB
			H	REV PER EC 0730-3607-91	1-7-94	RV/RS

MATERIAL	FINISH	PART NO
.012 BRASS	GOLD ⚠	350706-7
.012 BRASS	GOLD ⚠/⚠/2	350706-2
	PRE-TIN	350706-1

UNLESS OTHERWISE SPECIFIED DIMENSIONS ARE IN INCHES. TOLERANCES ON: DECIMALS ±.015 ANGLES ±	CONTRACT NO	AMP INCORPORATED Harrisburg, Pa.		
	DR	NAME		
	CHK	SPLIT PIN, (LOOSE PIECE) UNIVERSAL MATE-N-LOK		
	APPD	SIZE	CODE IDENT NO	DRAWING NO
WIRE RANGE	DSGN APPD	B	00779	350706
INSULATION RANGE	OTHER APPD	SCALE 4-1		SHEET
24-18 AWG				
.100 DIA MAX				