

Distributed by:

**JAMECO**<sup>®</sup>  
ELECTRONICS

**www.Jameco.com ♦ 1-800-831-4242**

The content and copyrights of the attached  
material are the property of its owner.

Jameco Part Number 942381

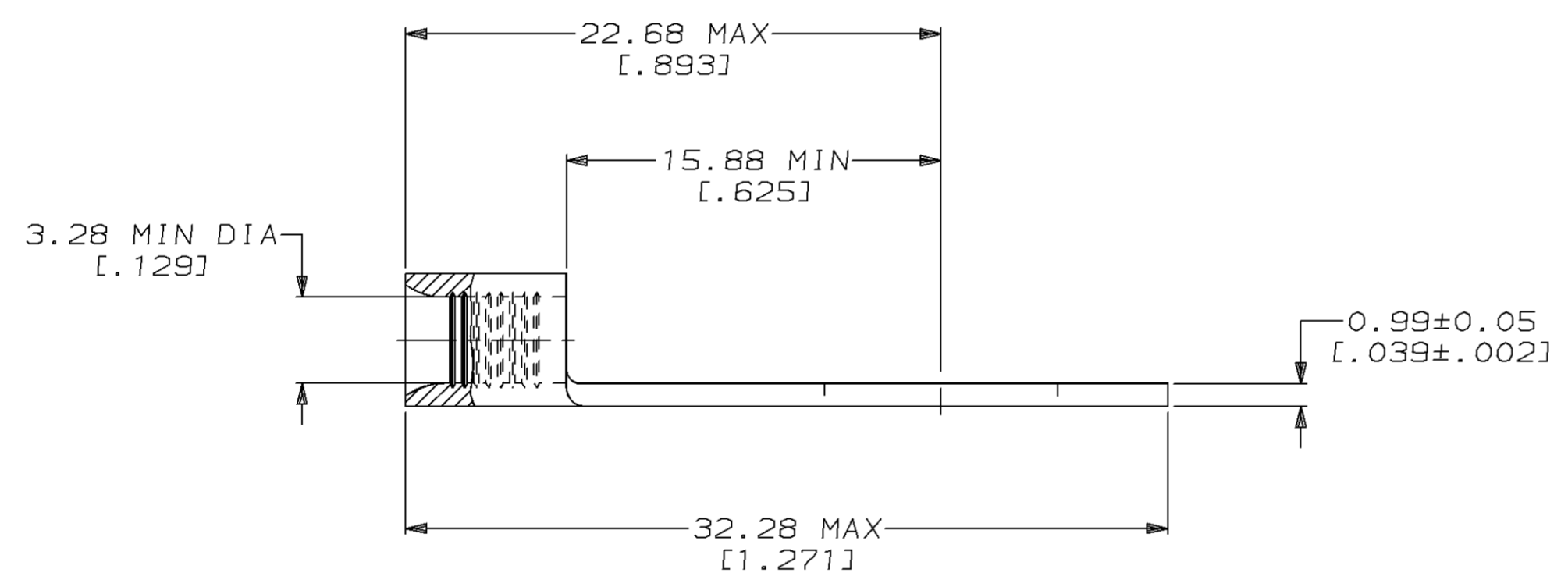
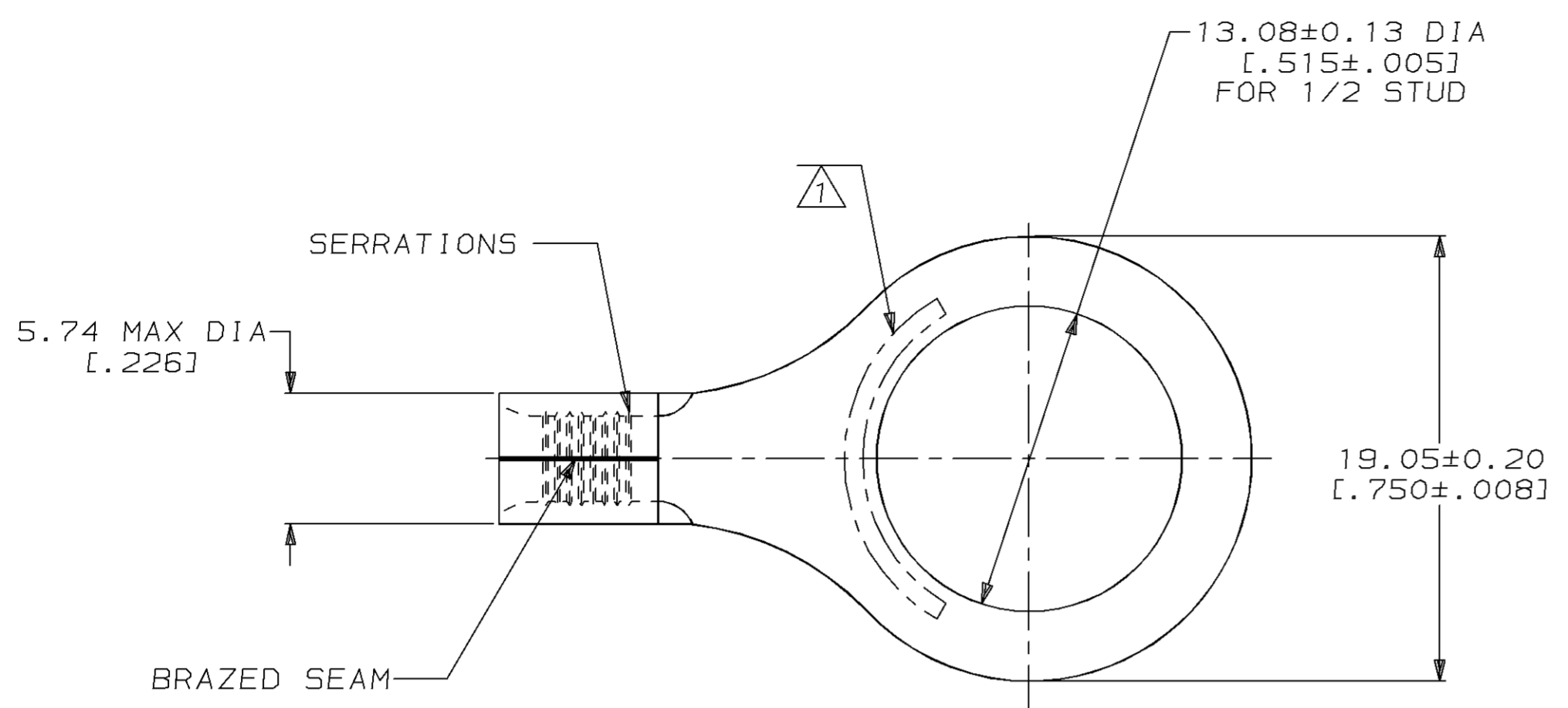
THIS DRAWING IS UNPUBLISHED. RELEASED FOR PUBLICATION , 19 .  
 © COPYRIGHT 19 BY AMP INCORPORATED. ALL INTERNATIONAL RIGHTS RESERVED.

LOC	DIST	P	F	ZONE	LTR	DESCRIPTION	DATE	APPD
G	14				H	ADDED 2-35135-2 PER PR 94-6	2/2/94	OKS DAP

**METRIC**  
 DIMENSIONS LISTED IN mm [ INCHES ]

<b>AMP</b> WIRE RANGE	<b>UL</b> E13288 Listed
12-10 AWG SOLID OR STRANDED	12-10 AWG STRANDED
<b>SR</b> LR7189 Certified	MILITARY P/N AND CLASS
12-10 AWG SOLID OR STRANDED	MS 20659-166 CLASS 2

1 STAMP AMP 12-10\* APPROX AS SHOWN



1000	TAPE MOUNTED	2-35135-2
500	LOOSE PIECE	35135
QTY	PACKAGE TYPE	PART NO

**AMP INCORPORATED**  
**CUSTOMER SERVICE SYSTEMS**

MAX RECOMMENDED OPERATING TEMPERATURE:  
 170°C MAX

DO NOT SCALE PRINT. UNLESS SPECIFIED  
 DIMENSIONS IN mm [ INCHES ]  
 TOLERANCES ON :  
 2 PLC DEC ± -  
 3 PLC DEC ± -  
 ANGLES ± -

DR 3-17-93  
 TA BRINKMAN  
 CHK 3-17-93  
 DA PATTERSON

**AMP** AMP Incorporated  
 Harrisburg, PA 17105-3608

FOR ADDITIONAL PRODUCT INFORMATION OR COPIES OF DRAWINGS AND TECHNICAL DOCUMENTS

PRODUCT INFORMATION CENTER  
 1-800-522-6752

VOLTAGE RATING:  
 NOT APPLICABLE

MATERIAL  
 COPPER PER ASTM B-152 ANNEALED

APPD 3-17-93  
 DE MILLER  
 APPD 3-17-93  
 JL MECKLEY

NAME  
**TERMINAL, RING TONGUE, SOLISTRAND™**

FOR APPLICATION TOOLING INFORMATION

TOOLING ASSISTANCE CENTER  
 1-800-722-1111

WIRE CROSS SECTIONAL AREA RANGE:  
 2.62-6.64mm² [5, 180-13, 100] CIR MILS  
 SOLID OR STRANDED

FINISH  
 TIN PLATE  
 0.00254 [ .000100 ] MIN THK PER MIL-T-10727

PRODUCT SPEC  
 -  
 APPLICATION SPEC  
 -

SIZE  
 CAGE CODE  
 DRAWING NO  
 SCALE 4:1  
 00779  
 C=35135  
 SHEET 1 OF 1

FOR ORDER ENTRY  
 1-800-526-5142

THIS DRAWING IS A CONTROLLED DOCUMENT FOR AMP INCORPORATED. IT IS SUBJECT TO CHANGE AND THE CONTROLLING ENGINEERING ORGANIZATION SHOULD BE CONTACTED FOR THE LATEST REVISION.

WEIGHT -