

Distributed by:

JAMECO[®]
ELECTRONICS

www.Jameco.com ♦ 1-800-831-4242

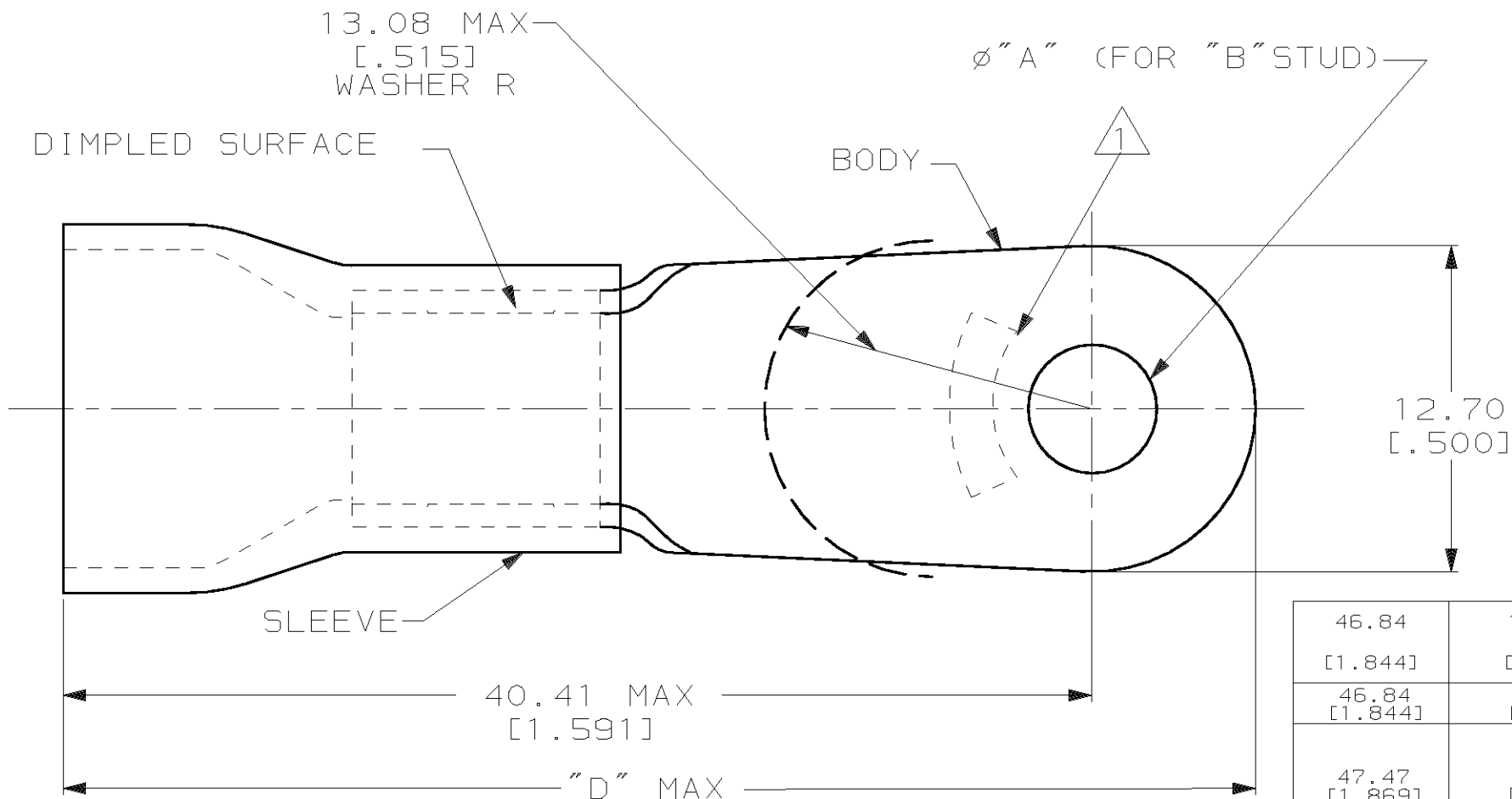
The content and copyrights of the attached
material are the property of its owner.

Jameco Part Number 951851

THIS DRAWING IS UNPUBLISHED. RELEASED FOR PUBLICATION, 19
 © COPYRIGHT 19 BY AMP INCORPORATED. ALL INTERNATIONAL RIGHTS RESERVED.

LOC	DIST	P	F	REVISIONS				
G	14			ZONE	LTR	DESCRIPTION	DATE	APPD
					AB	REV PER 0G3A-0614-01	19NOV01	S ^R TM

AMP WIRE RANGE	RU FILE E13288	LR7189 Certified
6 AWG STRANDED	6 AWG STRANDED	6 AWG STRANDED



- ① STAMP AMP 6* LOCATE APPROX AS SHOWN
- 2. TONGUE MATERIAL THK 1.14±0.08 [.045±.003]
- 3. SEE TABLE FOR WIRE INSULATION DIA MAX
- 4. TAPE ITEMS ARE ON 30.48 [1.200] CENTERS
- ⑤ OBSOLETE AND REPLACED BY 52042-5

"D"	WIRE INSULATION DIA	"B"	"A"	QTY	PACKAGE TYPE	PART NO
46.84 [1.844]	11.43 [.450]	1/4	6.73±0.13 [.265±.005]	500	ON TAPE	1-52042-4
46.84 [1.844]	11.07 [.436]	#10	5.00±0.08 [.197±.003]	100	LOOSE PC	1-52042-3
47.47 [1.869]	9.14 [.360]	1/4	6.73±0.13 [.265±.005]	20	LOOSE PC, BOX SPL	⑤ 9-52042-5
46.84 [1.844]	11.07 [.436]	#8	4.34±0.08 [.171±.003]	500	ON TAPE	8-52042-5
47.47 [1.869]	9.14 [.360]	#10	5.00±0.08 [.197±.003]			52042-9
46.84 [1.844]	11.07 [.436]	1/4	6.73±0.13 [.265±.005]			52042-7
47.47 [1.869]	9.14 [.360]	#8	4.34±0.08 [.171±.003]			52042-6
46.84 [1.844]	11.07 [.436]	1/4	6.73±0.13 [.265±.005]	100	LOOSE PC	52042-5
47.47 [1.869]	9.14 [.360]	#8	4.34±0.08 [.171±.003]			52042-4
46.84 [1.844]	11.07 [.436]	1/4	6.73±0.13 [.265±.005]			52042-3
47.47 [1.869]	9.14 [.360]	#8	4.34±0.08 [.171±.003]			52042-2
46.84 [1.844]	11.07 [.436]	1/4	6.73±0.13 [.265±.005]			52042-1
47.47 [1.869]	9.14 [.360]	#8	4.34±0.08 [.171±.003]			52042

AMP INCORPORATED
CUSTOMER SERVICE SYSTEMS

FOR ADDITIONAL PRODUCT INFORMATION OR COPIES OF DRAWINGS AND TECHNICAL DOCUMENTS
 PRODUCT INFORMATION CENTER
 1-800-522-6752

FOR APPLICATION TOOLING INFORMATION
 TOOLING ASSISTANCE CENTER
 1-800-722-1111

FOR ORDER ENTRY
 1-800-526-5142

MAX RECOMMENDED OPERATING TEMPERATURE:
 90°C

VOLTAGE RATING
 600 V MAX

CIRCULAR MIL AREA:
 10.54-16.77mm² [20,800-33,100] STRANDED

DO NOT SCALE PRINT. UNLESS SPECIFIED DIMENSIONS IN mm [INCHES] TOLERANCES ON:
 2 PLC DEC ± 0.20[.008]
 3 PLC DEC ± -
 ANGLES ± -

MATERIAL
 COPPER PER ASTM B-152
 PVC, COLOR, BLUE

FINISH
 TIN PLATE PER ASTM B 545

DR 9-29-93
 S.S. GOULDEN

CHK 9-29-93
 R. HERSEY

APPD 9-29-93
 B. BARE

APPD 9-29-93
 M. ELLIS

PRODUCT SPEC
 NOT AVAILABLE

APPLICATION SPEC
 NOT AVAILABLE

WEIGHT -

AMP AMP Incorporated
 Harrisburg, PA 17105-3608

NAME
 TERMINAL, RING TONGUE,
 PLASTIC-GRIP™, WIRE SIZE, 6 AWG

SIZE **B** CAGE CODE 00779 DRAWING NO **C-52042**

SCALE NTS SHEET 1 OF 1