

Distributed by:

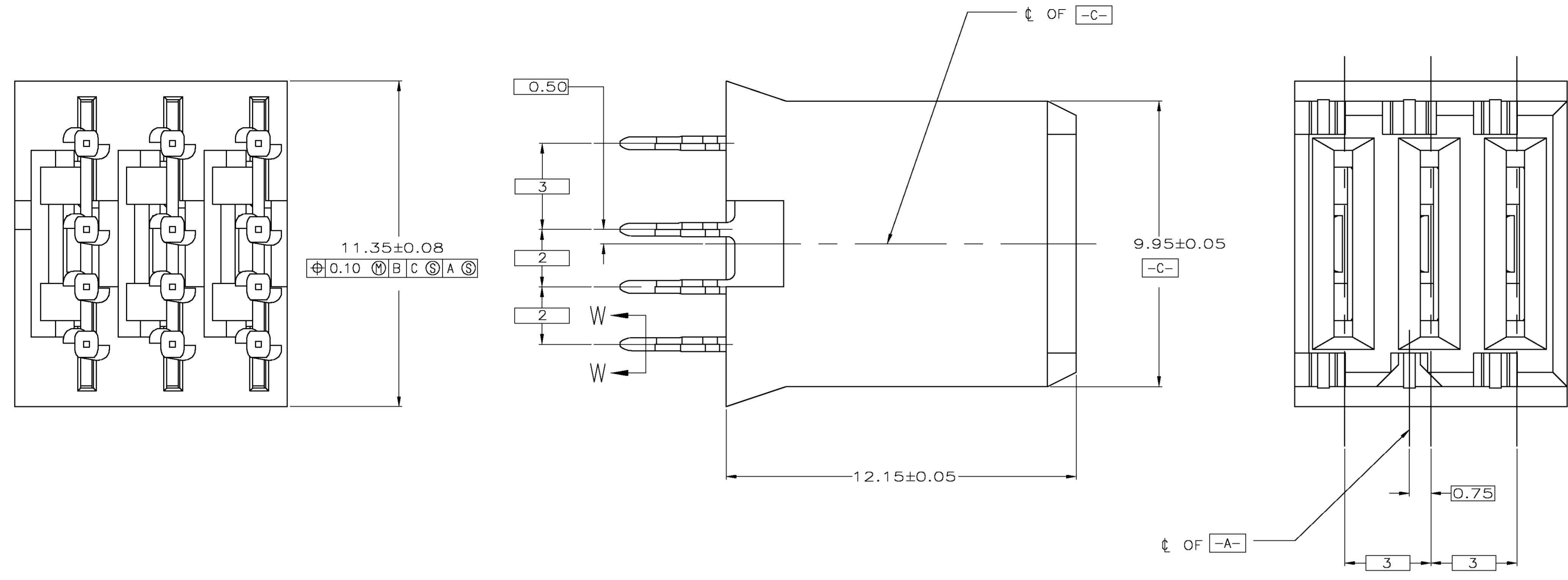
JAMECO[®]
ELECTRONICS

www.Jameco.com ♦ 1-800-831-4242

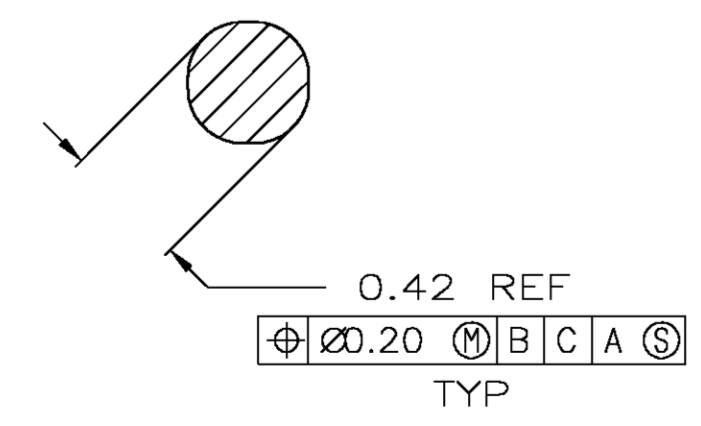
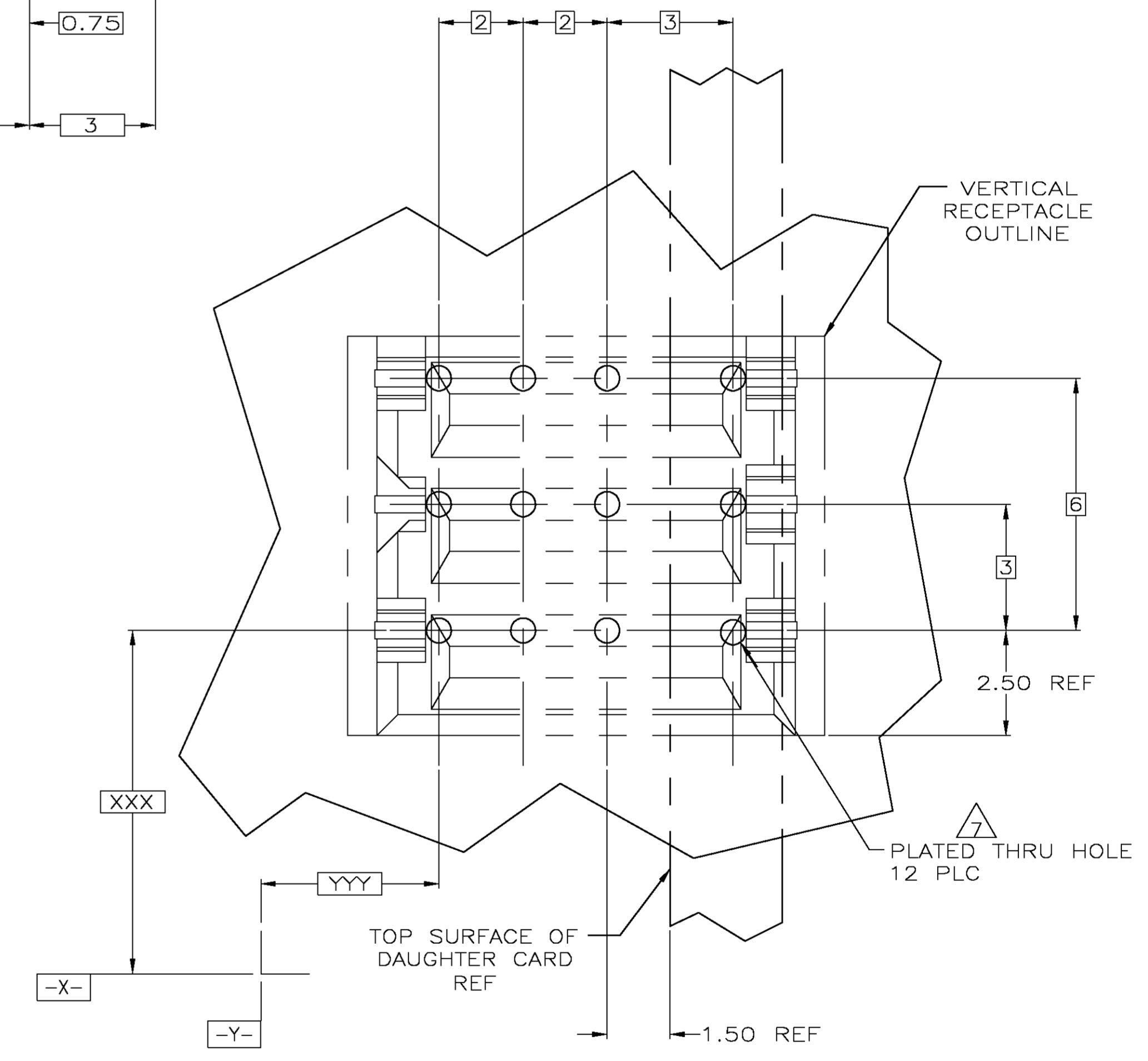
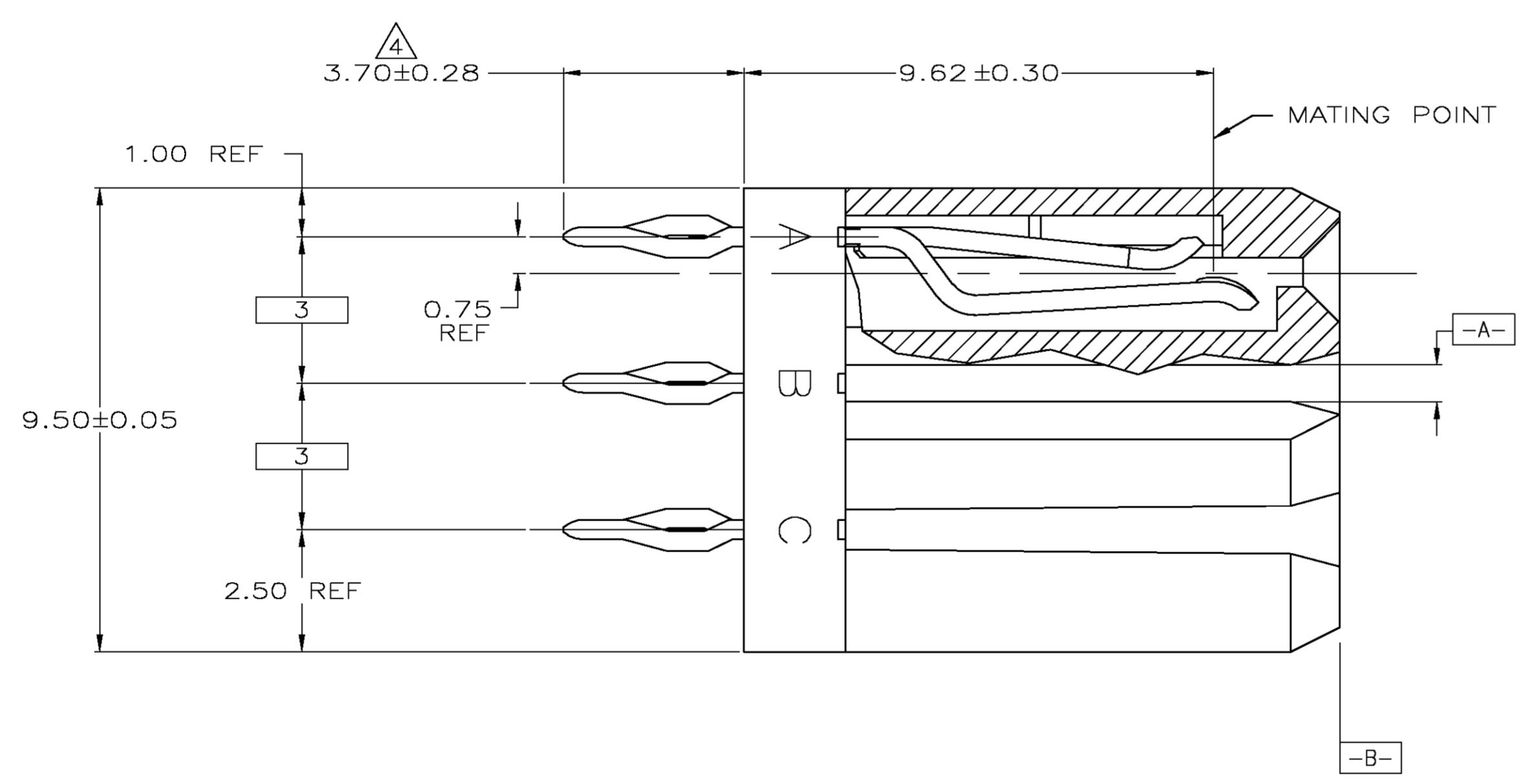
The content and copyrights of the attached
material are the property of its owner.

Jameco Part Number 952212

LOC		DIST		REVISIONS			
AD	00	P	LR	DESCRIPTION	DATE	BY	APPD
		0	REV PER EC	OS12-0324-04	10DEC04	BC	RP



- 1 MATERIAL: HOUSING: POLYESTER. COLOR: GRAY. CONTACT: PHOSPHOR BRONZE.
- 2 FINISH: CONTACT MATING AREA: 1.27µm MIN GOLD PLATE, ACTION PIN AREA: 0.5µm MIN TIN PLATE, ALL OVER 1.27µm MIN NICKEL UNDERPLATE.
- 3 FINISH: CONTACT LUBRICATION WITH BELLCORE APPROVED LUBRICANT. TECHNICAL REFERENCE: TR-NWT-001217 ISSUE 1, SEPT 1992.
- 4 DIMENSION APPLIES AFTER CONNECTOR IS APPLIED TO P.C. BOARD.
- 5 RESTRICTED PART NUMBER, CONTACT ENGINEERING.
- 6 MATERIAL: HOUSING: POLYESTER. COLOR: GRAY. CONTACT: HIGH CURRENT COPPER ALLOY
- 7 REFERENCE APPLICATION SPEC 114-1103 FOR RECOMMENDED PLATED THRU HOLE DIAMETER AND PLATING THICKNESS.



SECTION W-W
SCALE 40:1

RECOMMENDED PCB HOLE LAYOUT

REV	DESCRIPTION	DATE	BY	APPD
1	5-5223955-2			
2	5223955-8			
3	5223955-2			

THIS DRAWING IS A CONTROLLED DOCUMENT.		DWG: B CARBO	10DEC04		Tyco Electronics Corporation Harrisburg, Pa 17105-3608	
DIMENSIONS: mm		CHK: R PATTERSON	10DEC04		NAME: R PATTERSON	
TOLERANCES UNLESS OTHERWISE SPECIFIED:		APPROD: R PATTERSON		PRODUCT SPEC: -		
0 PLC ± - 1 PLC ± - 2 PLC ± 0.13 3 PLC ± - 4 PLC ± - ANGLES ± -		APPLICATION SPEC: -		ASSEMBLY, VERTICAL RECEPTACLE, UNIVERSAL POWER MODULE		
MATERIAL: SEE TABLE		FINISH: SEE TABLE		SIZE: A1		RESTRICTED TO: -
CUSTOMER DRAWING		WEIGHT: -		CAGE CODE: 00779		SCALE: 10:1
		DRAWING NO: 5223955		SHEET: 1 OF 1		REV: 0