

Distributed by:

JAMECO[®]
ELECTRONICS

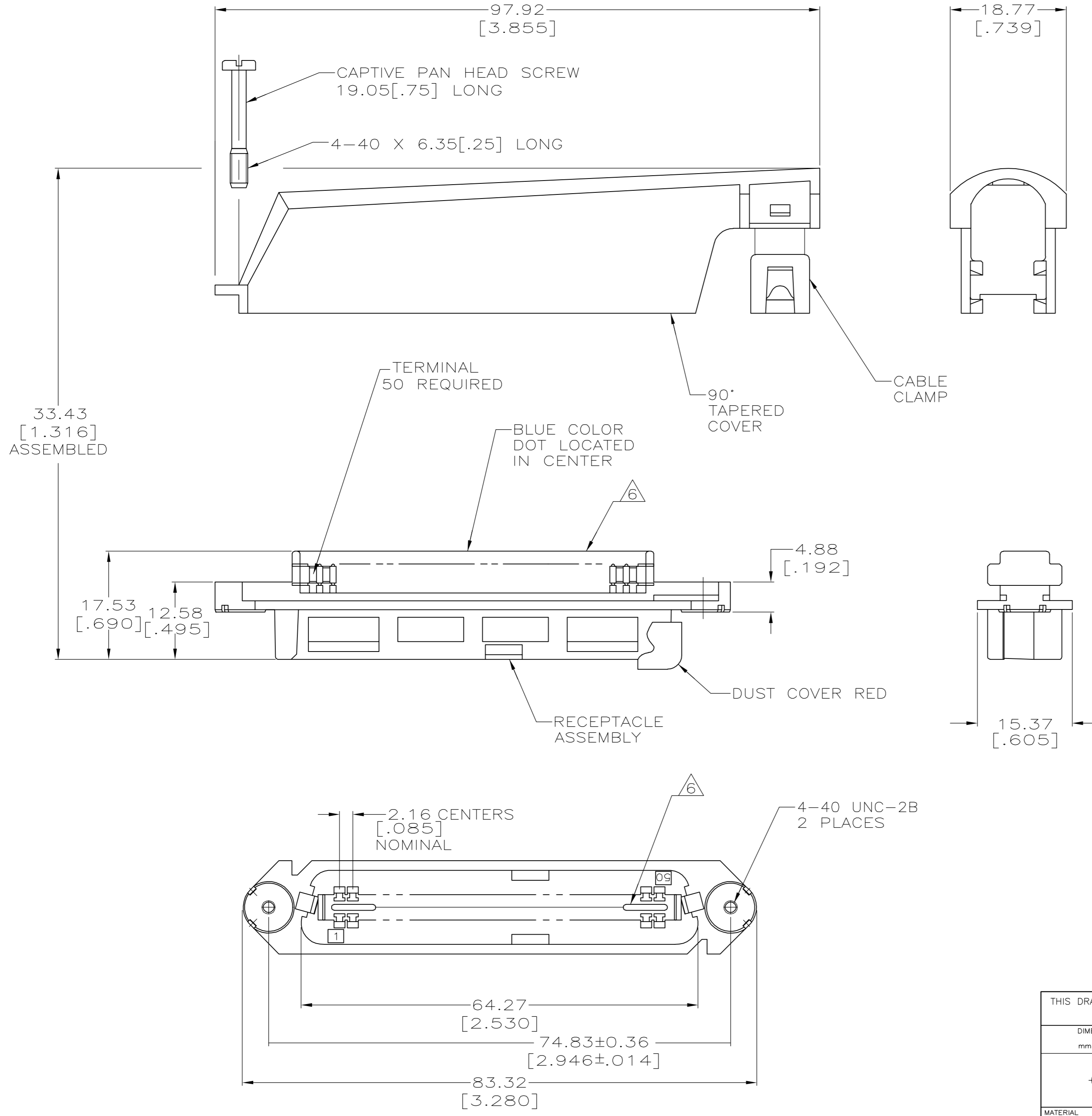
www.Jameco.com ♦ 1-800-831-4242

The content and copyrights of the attached
material are the property of its owner.

Jameco Part Number 952693

THIS DRAWING IS UNPUBLISHED. RELEASED FOR PUBLICATION
 © COPYRIGHT 2005 BY TYCO ELECTRONICS CORPORATION. ALL RIGHTS RESERVED.

| LOC | DIST | REVISIONS | | | |
|-----|------|---------------------------|-----------|-----|------|
| P | LTR | DESCRIPTION | DATE | DWN | APVD |
| GP | 00 | REVISED PER ECO-06-026525 | 10/NOV/06 | ZR | WM |



- THE CONTACT SURFACES OF THE TERMINALS ARE COATED WITH LUBRICANT.
- DIMENSIONS ARE MAXIMUM UNLESS OTHERWISE SPECIFIED.
- MATERIAL: HOUSING AND COVER - POLYPHENYLENE OXIDE.
 CABLE CLAMP - POLYESTER MOLDING COMPOUND.
 TERMINAL - HIGH STRENGTH COPPER ALLOY PLATED WITH 0.76µm [30µ] MIN GOLD OR GOLD FLASH OVER 0.76µm [30µ] MIN PALLADIUM NICKEL ON CONTACT MATING SURFACE, OVER 1.27µm [50µ] MIN NICKEL UNDERPLATE.
 HARDWARE - ZINC PLATED STEEL.
 DUST COVER - POLYETHYLENE MOLDING COMPOUND.
- THIS KIT SHIPPED NOT ASSEMBLED.
- WIRE SIZE: 24 & 26 AWG SOLID & 24 AWG STRAND COPPER CONDUCTORS. MAXIMUM INSULATION DIAMETER OF 1.15 [.045] IS ACCEPTABLE FOR MOST APPLICATIONS.
- CORING MAY OR MAY NOT APPEAR AND IS AT THE DISCRETION OF AMP INCORPORATED.

| PACKAGING | CABLE RANGE | DUST COVER | COLOR | PART NUMBER |
|-------------|---------------------------|------------|-------|-------------|
| BULK PACKED | ø7.62-8.26 [ø.300-.325] | YES | BLACK | 6-5229913-7 |
| | ø8.89-10.80 [ø.350-.425] | YES | GRAY | 6-5229913-4 |
| | | NO | BLACK | 6-5229913-3 |
| POLY BAGGED | ø10.80-12.70 [ø.425-.500] | YES | BLACK | 3-5229913-1 |
| | | NO | BLACK | 2-5229913-1 |
| | ø8.89-10.80 [ø.350-.425] | YES | GRAY | 1-5229913-4 |
| | | YES | BLACK | 1-5229913-1 |
| | | NO | GRAY | 5229913-4 |
| | | NO | BLACK | 5229913-1 |

THIS DRAWING IS A CONTROLLED DOCUMENT.

| | |
|-------------------------|--|
| DWN G.PETERS 23SEP05 | Tyco Electronics Corporation Harrisburg, Pa 17105-3608 |
| CHK W.MILLHIMES 23SEP05 | |
| APVD M.WALMSLEY 23SEP05 | |
| PRODUCT SPEC | |
| APPLICATION SPEC | NAME RECEPTACLE KIT, 50 POSITION, B-SLOT, SCREW LOCK, TAPERED COVER, CHAMP-LOK |
| WEIGHT - | SIZE A2 CAGE CODE 00779 DRAWING NO C=5229913 RESTRICTED TO - |
| CUSTOMER DRAWING | SCALE 2:1 SHEET 1 OF 1 REV A |