

Distributed by:

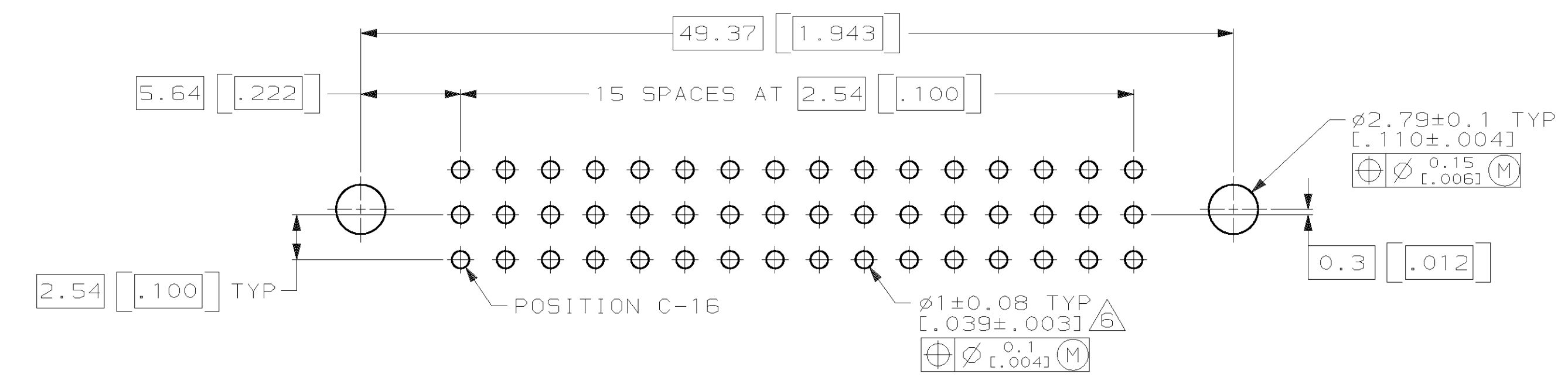
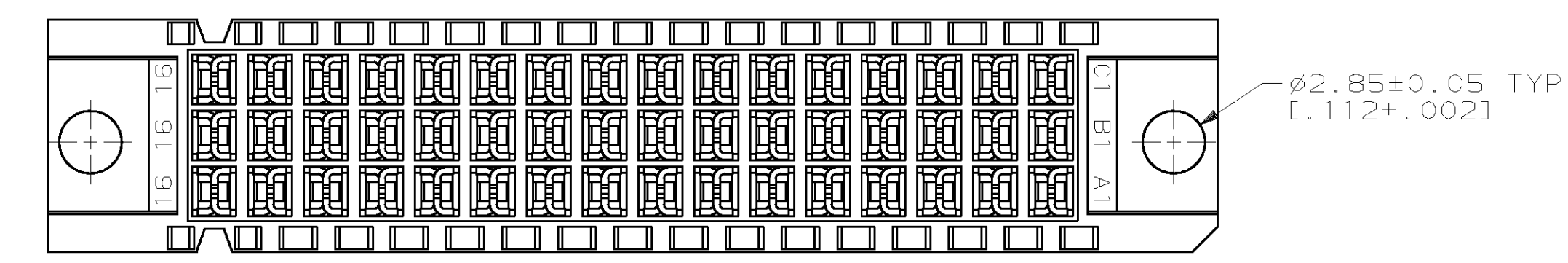
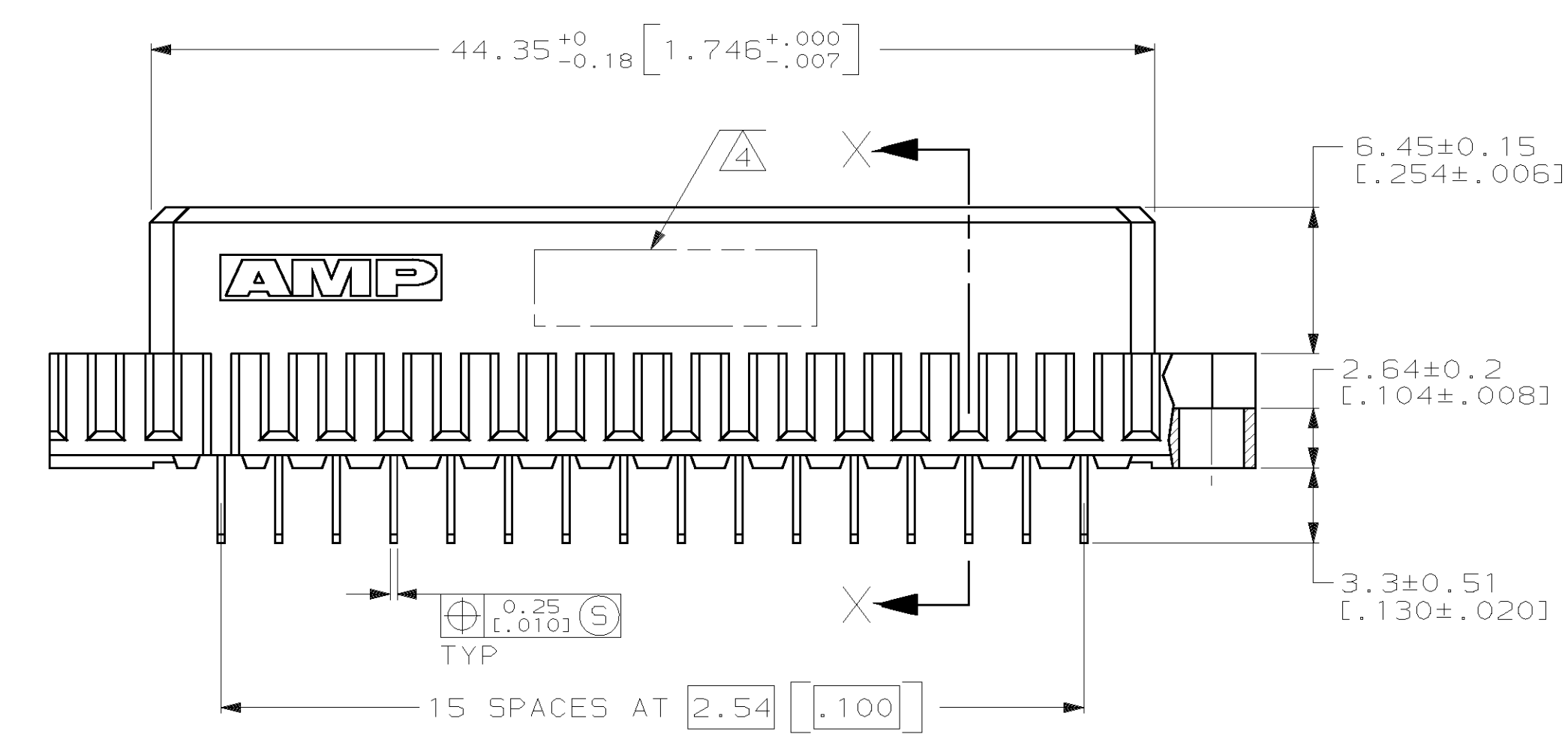
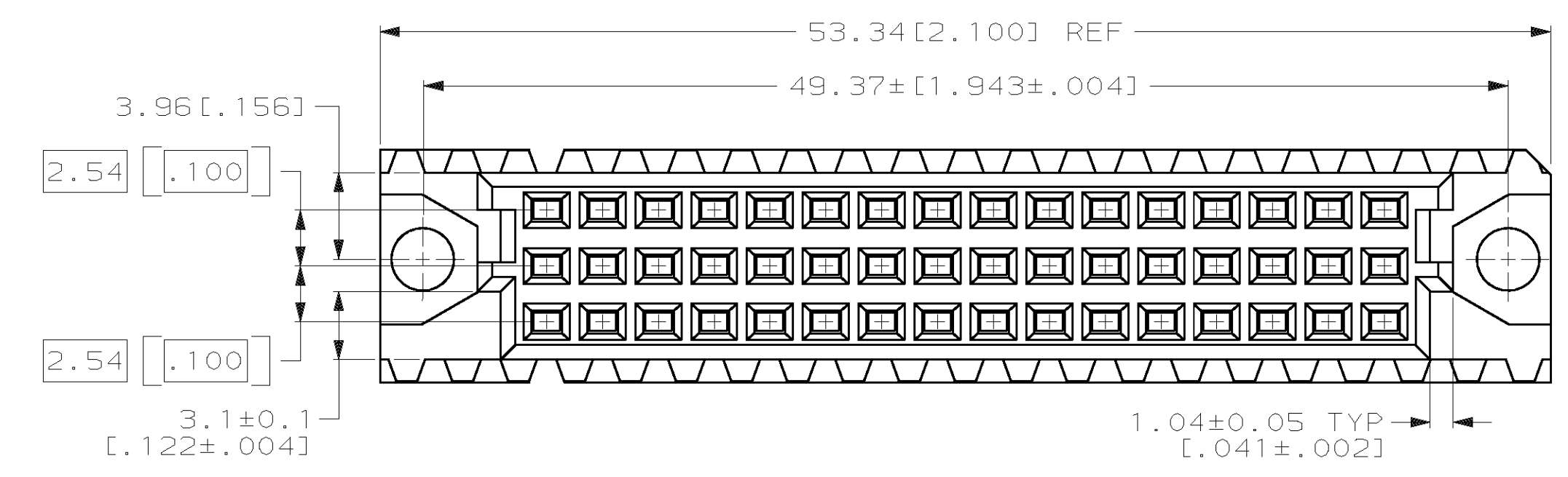
JAMECO[®]
ELECTRONICS

www.Jameco.com ♦ 1-800-831-4242

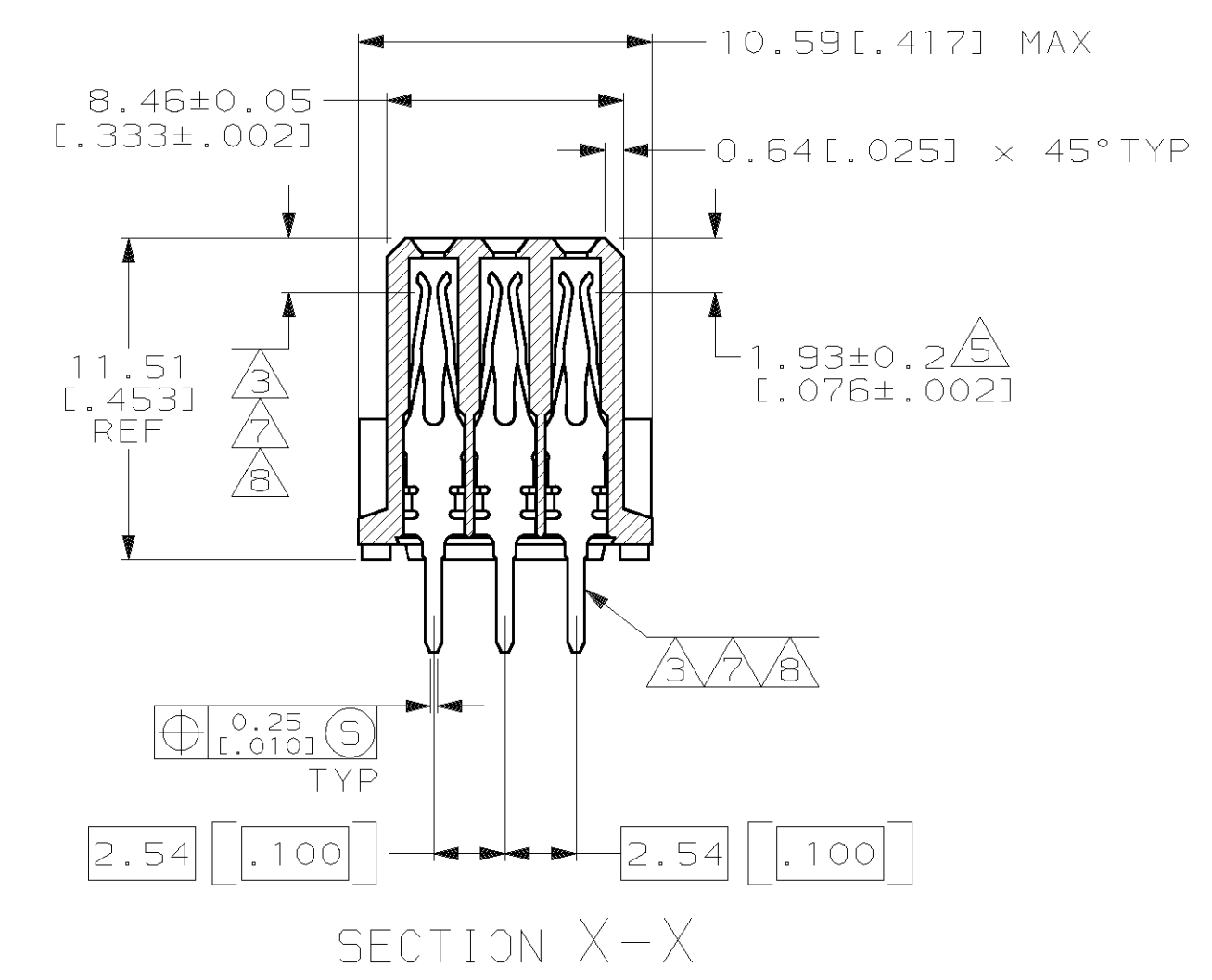
The content and copyrights of the attached
material are the property of its owner.

Jameco Part Number 954470

LOC		DIST		REV		ZONE		LTR		REVISIONS		DATE	APPD
AD	25	P	F					H	EC	0010-0895-96		6/24/96	CR
								J	REV PER EC	001B-0367-00		04 JAN 01	CR



- △ HOUSING MATERIAL: GLASS-FILLED POLYESTER. COLOR: GRAY.
- △ CONTACT MATERIAL: PHOSPHOR BRONZE.
- △ CONTACT FINISH: 0.00076 [0.00030] GOLD IN CONTACT AREA. 0.00127 [0.00050] NICKEL UNDERPLATE ALL OVER. TIN-LEAD PLATE ON POSTS.
- △ PART NUMBER, DATE CODE IDENTIFICATION, CSA LOGO IN THIS APPROXIMATE AREA, ON REVERSE SIDE.
- △ POINT OF MEASUREMENT FOR GOLD.
- △ RECOMMENDED HOLE SIZE FOR MANUAL APPLICATION OF CONNECTOR ONTO PC BOARD.
- △ CONTACT FINISH: DIN 41612 CLASS 3 IN CONTACT AREA. 0.00127 [0.00050] NICKEL UNDERPLATE ALL OVER. TIN-LEAD ON POSTS.
- △ CONTACT FINISH: DIN 41612 CLASS 2 IN CONTACT AREA. TIN-LEAD PLATE ON POSTS.



OBSOLETE	POSITIONS LOADED	ROWS LOADED			NO. OF LOADED POSITION	PART NUMBER
		C	B	A		
△ 7	1 THRU 16	X	X	X	48	535070-9
△ 8	1 THRU 16	X	X	X	48	535070-5
△ 3	1 THRU 16	X	X	X	48	535070-4

DO NOT SCALE PRINT. UNLESS SPECIFIED DIMENSIONS IN mm [INCHES]. TOLERANCES ON: 1 PLC DEC ± - 2 PLC DEC ± 0.13 [0.005] ANGLES ± -	DR L. BRINER 5/8/89	AMP AMP INCORPORATED Harrisburg, Pa. 17105
HOUSING: △ 1	CHK J. BROWN 5/15/89	
CONTACT: △ 2	APPD J. BROWN 5/15/89	
FINISH	APPD J. BROWN 5/15/89	NAME
CONTACT: △ 3 △ 7 △ 8	PRODUCT SPEC -	ASSEMBLY, RECEPTACLE, EUROCARD, TYPE C, SOLDER TAIL, 48 POSITION
	APPLICATION SPEC -	SIZE D
		FSCM NO 00779
		DRAWING NO 535070
		SCALE 4:1
		SHEET 1 OF 1