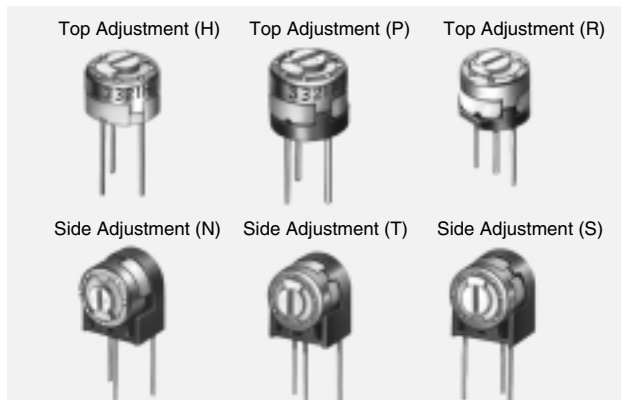


# RESISTOR PRODUCTS

## TRIMMER POTENTIOMETERS

### SINGLE-TURN CERMET LEADED



### FEATURES

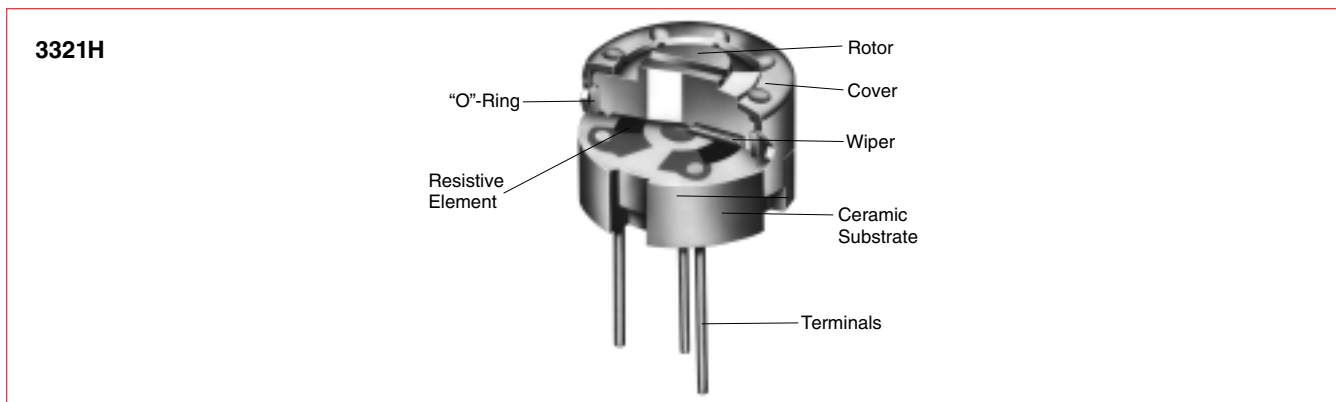
- Single-turn cermet; round; 6.6mm package
- 6 standard terminal styles
- Compatible with ultrasonic cleaning
- Flammability: UV94V-0

### APPLICATIONS

TVs, HDTVs, professional cameras, facsimile machines, printers, CPUs, switching power supplies

NOTE: Optional products not recommended for new design.

### CONSTRUCTION



### SPECIFICATIONS

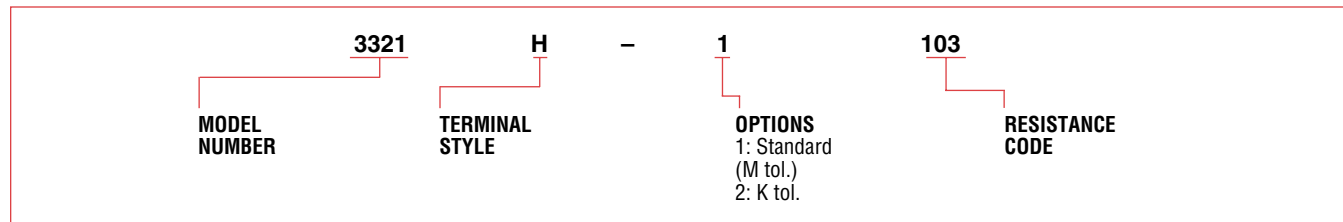
Item	
Standard Resistance Range	10Ω to 5MΩ
Nominal Resistance Tolerance	±20% (±10% available)
Power Rating	70°C – 0.5W, 125°C – 0W
Maximum Working Voltage	300V
Maximum Wiper Current	100mA max.
Operating Temperature Range	-55°C to +125°C
Effective Rotational Angle	230 ± 5°
Residual Resistance	2Ω max.
Contact Resistance Variation	3% or 3Ω max., whichever is greater
Dielectric Strength	600VAC
Insulation Resistance	1000MΩ min. (500VDC)
Torque	19.6mNm (200gf • cm) max.
Stop Strength	49mNm (500gf • cm) min.

### ENVIRONMENTAL SPECIFICATIONS

Item	
Temperature Coefficient of Resistance	±100ppm/°C
Temperature Cycle	Δ TR ±2%, Δ V.S.S. ±1%
Humidity Exposure	Δ TR ±2%, IR 100MΩ min.
Vibration (20G)	Δ TR ±1%, Δ V.S.S. ±1%
Shock (100G)	Δ TR ±1%, Δ V.S.S. ±1%
Load Life	Δ TR ±2%, Δ V.S.S. ±2%
Low Temperature Exposure	Δ TR ±2%, Δ V.S.S. ±1%
High Temperature Exposure	Δ TR ±2%, Δ V.S.S. ±1%
Rotational Life (200 cycles)	No intermittence on resistance change

Δ TR: Total Resistance Change • Δ V.S.S.: Voltage Setting Stability • IR: Insulation Resistance

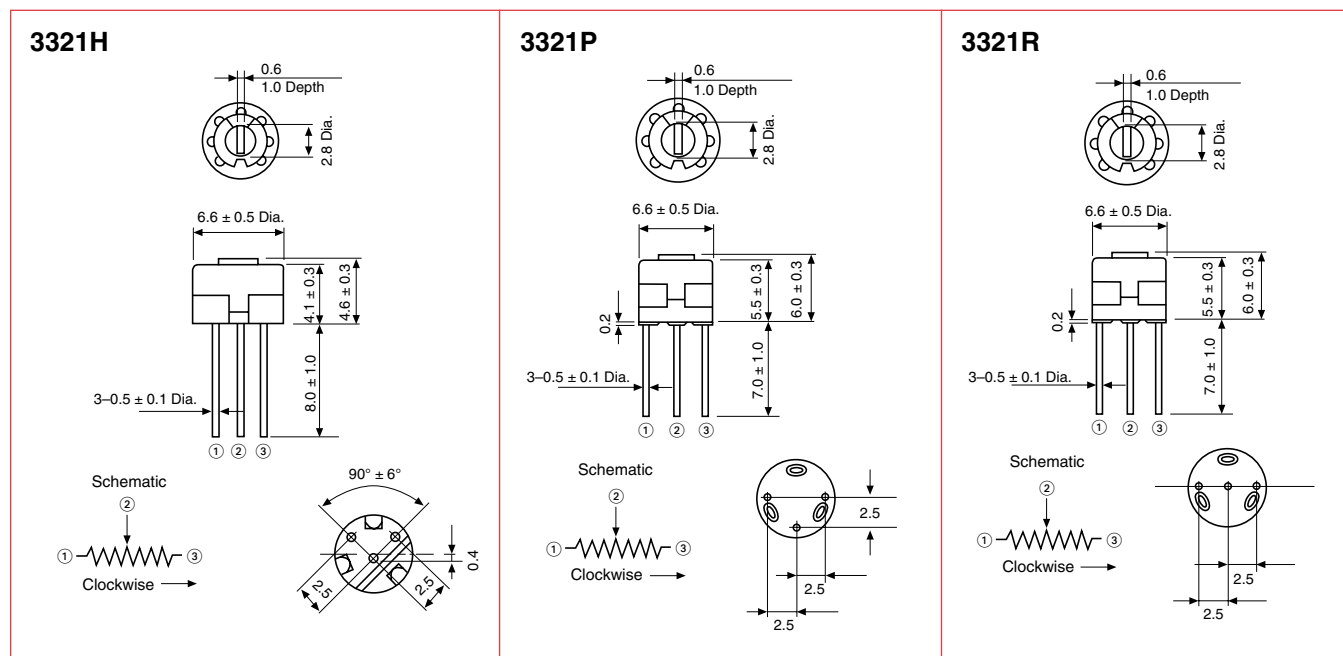
**PART NUMBERING SYSTEM**



**PART NUMBER TABLE**

Nominal Resistance Values	Model Number		
	Top Adjustment	Top Adjustment	Top Adjustment
10Ω	3321H-1-100	3321P-1-100	3321R-1-100
20Ω	3321H-1-200	3321P-1-200	3321R-1-200
25Ω	3321H-1-250	3321P-1-250	3321R-1-250
50Ω	3321H-1-500	3321P-1-500	3321R-1-500
100Ω	3321H-1-101	3321P-1-101	3321R-1-101
200Ω	3321H-1-201	3321P-1-201	3321R-1-201
250Ω	3321H-1-251	3321P-1-251	3321R-1-251
500Ω	3321H-1-501	3321P-1-501	3321R-1-501
1kΩ	3321H-1-102	3321P-1-102	3321R-1-102
2kΩ	3321H-1-202	3321P-1-202	3321R-1-202
2.5kΩ	3321H-1-252	3321P-1-252	3321R-1-252
5kΩ	3321H-1-502	3321P-1-502	3321R-1-502
10kΩ	3321H-1-103	3321P-1-103	3321R-1-103
20kΩ	3321H-1-203	3321P-1-203	3321R-1-203
25kΩ	3321H-1-253	3321P-1-253	3321R-1-253
50kΩ	3321H-1-503	3321P-1-503	3321R-1-503
100kΩ	3321H-1-104	3321P-1-104	3321R-1-104
200kΩ	3321H-1-204	3321P-1-204	3321R-1-204
250kΩ	3321H-1-254	3321P-1-254	3321R-1-254
500kΩ	3321H-1-504	3321P-1-504	3321R-1-504
1MΩ	3321H-1-105	3321P-1-105	3321R-1-105
2MΩ	3321H-1-205	3321P-1-205	3321R-1-205
5MΩ	3321H-1-505	3321P-1-505	3321R-1-505

**DIMENSIONS: mm**



Standard Tolerance: ±0.3

# RESISTOR PRODUCTS

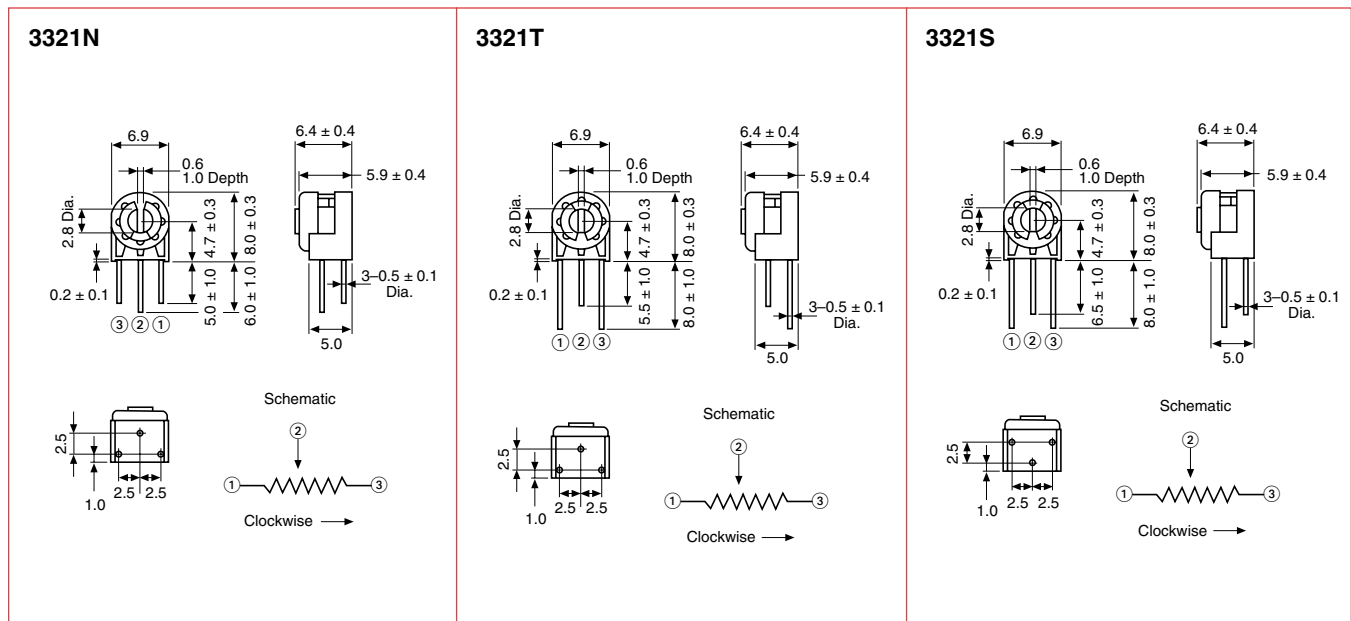
## TRIMMER POTENTIOMETERS

### SINGLE-TURN CERMET LEADED

### PART NUMBER TABLE

Nominal Resistance Values	Model Number		
	Side Adjustment	Side Adjustment	Side Adjustment
10Ω	3321N-1-100	3321T-1-100	3321S-1-100
20Ω	3321N-1-200	3321T-1-200	3321S-1-200
25Ω	3321N-1-250	3321T-1-250	3321S-1-250
50Ω	3321N-1-500	3321T-1-500	3321S-1-500
100Ω	3321N-1-101	3321T-1-101	3321S-1-101
200Ω	3321N-1-201	3321T-1-201	3321S-1-201
250Ω	3321N-1-251	3321T-1-251	3321S-1-251
500Ω	3321N-1-501	3321T-1-501	3321S-1-501
1kΩ	3321N-1-102	3321T-1-102	3321S-1-102
2kΩ	3321N-1-202	3321T-1-202	3321S-1-202
2.5kΩ	3321N-1-252	3321T-1-252	3321S-1-252
5kΩ	3321N-1-502	3321T-1-502	3321S-1-502
10kΩ	3321N-1-103	3321T-1-103	3321S-1-103
20kΩ	3321N-1-203	3321T-1-203	3321S-1-203
25kΩ	3321N-1-253	3321T-1-253	3321S-1-253
50kΩ	3321N-1-503	3321T-1-503	3321S-1-503
100kΩ	3321N-1-104	3321T-1-104	3321S-1-104
200kΩ	3321N-1-204	3321T-1-204	3321S-1-204
250kΩ	3321N-1-254	3321T-1-254	3321S-1-254
500kΩ	3321N-1-504	3321T-1-504	3321S-1-504
1MΩ	3321N-1-105	3321T-1-105	3321S-1-105
2MΩ	3321N-1-205	3321T-1-205	3321S-1-205
5MΩ	3321N-1-505	3321T-1-505	3321S-1-505

### DIMENSIONS: mm



Standard Tolerance: ±0.3