

Distributed by:

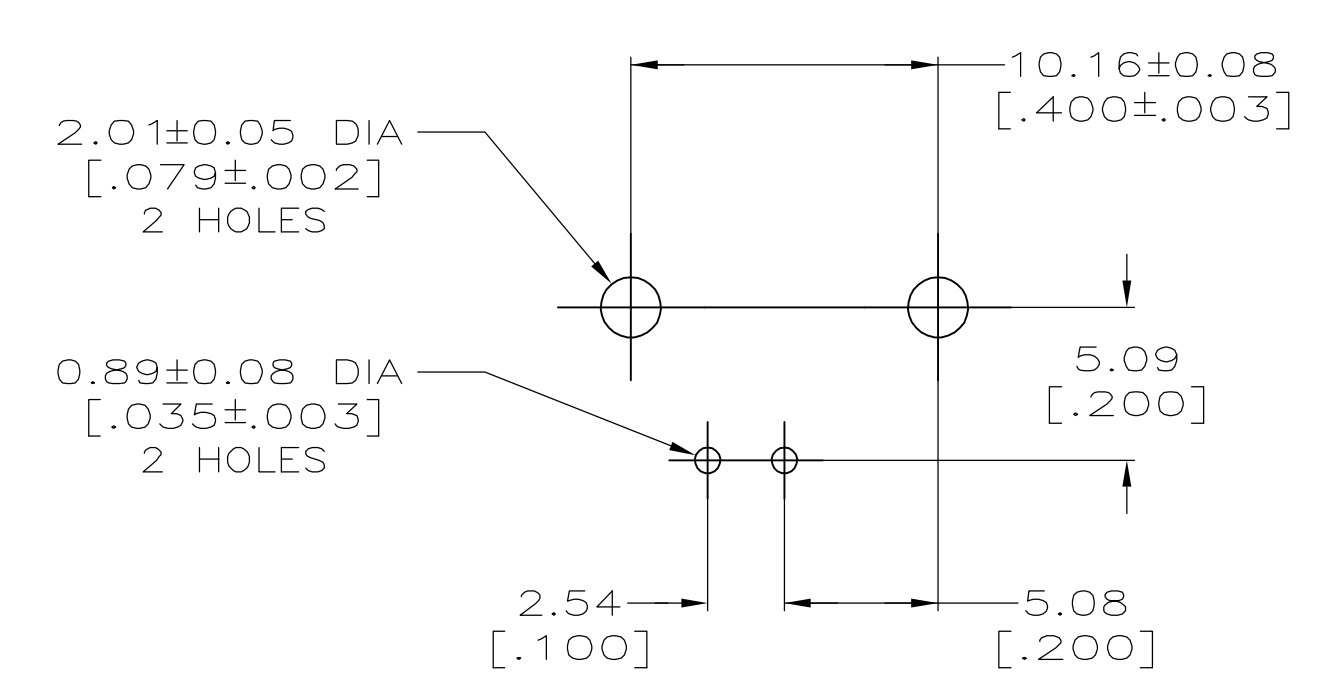
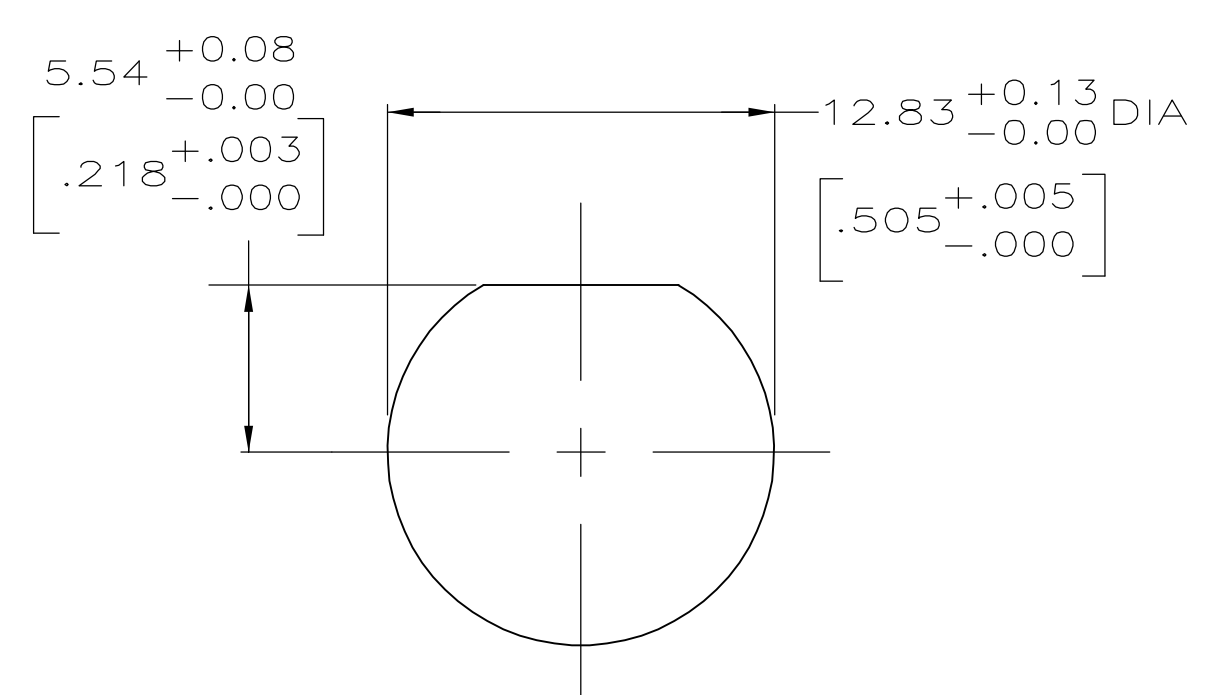
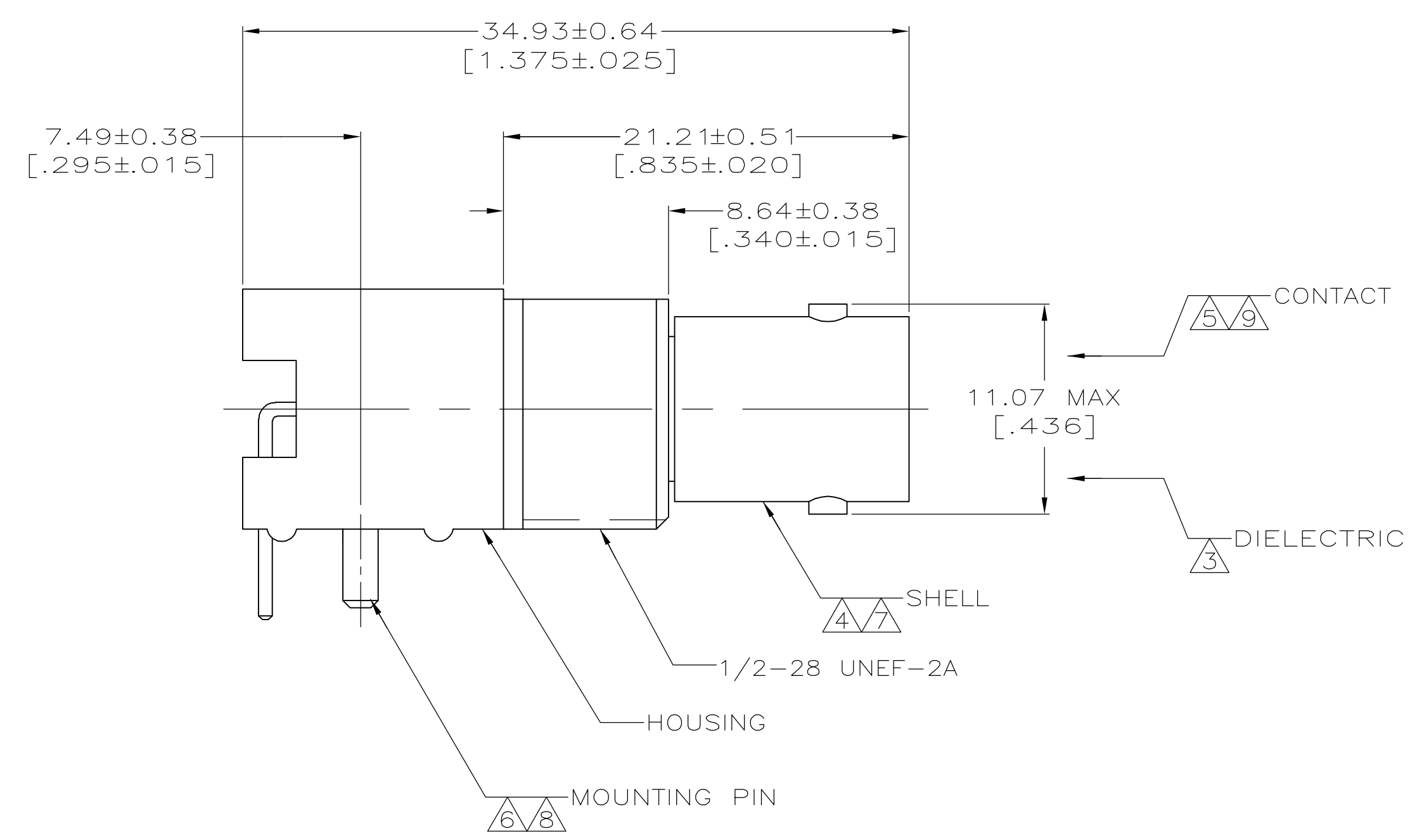
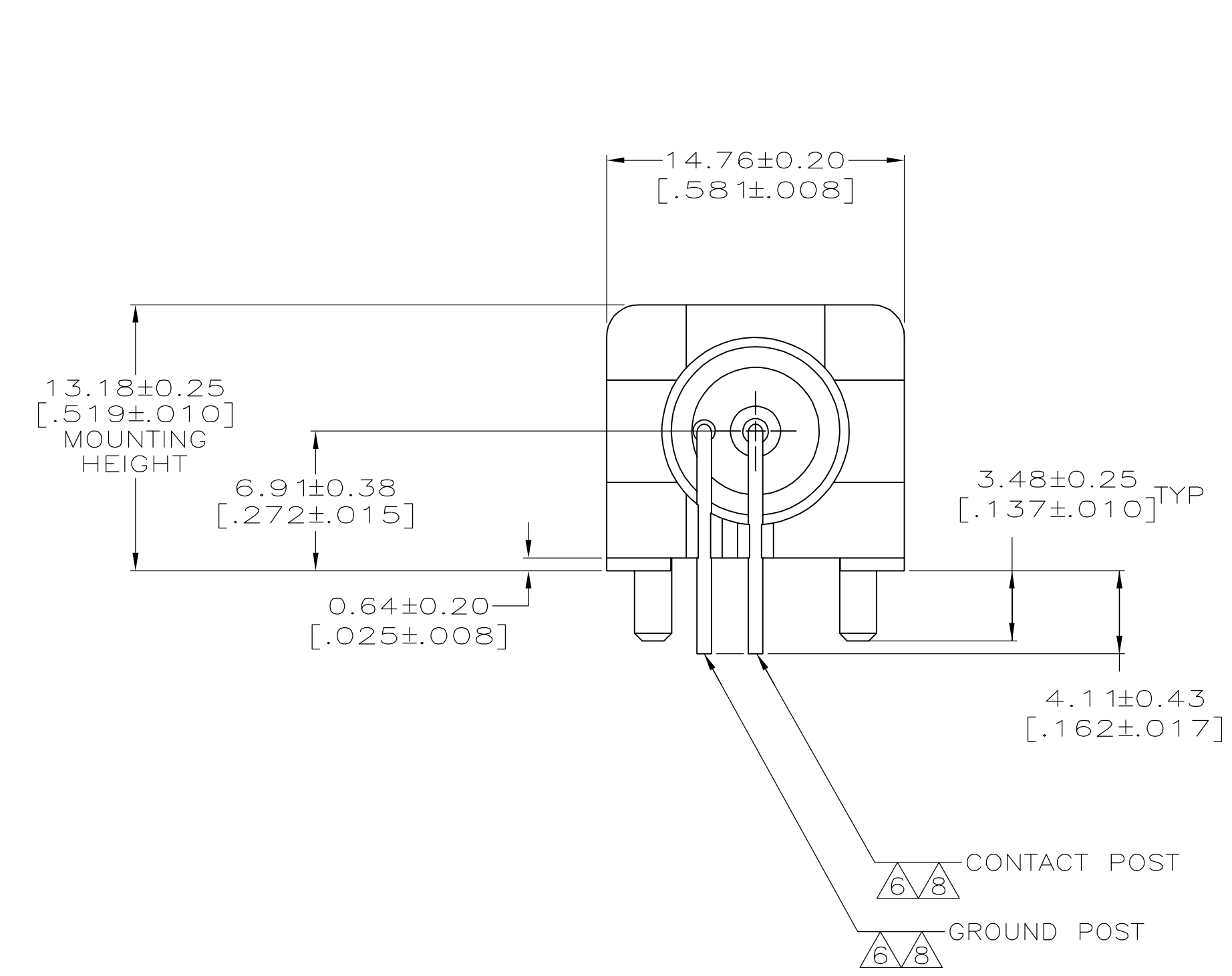
JAMECO[®]
ELECTRONICS

www.Jameco.com ♦ 1-800-831-4242

The content and copyrights of the attached
material are the property of its owner.

Jameco Part Number 955501

LOC	DIST	REVISIONS				
		REV	DESCRIPTION	DATE	DWN	APPR
AJ	16	A	REVISED PER EC OS14-0150-05	12AUG05	BM	JL



- 1 POLYESTER PBT PER MIL-M-24519, TYPE GPT-15F, UL94V-0 RATED, COLOR:NATURAL
- 2 POLYESTER PBT PER MIL-M-24519, TYPE GPT-15F, UL94V-0 RATED, COLOR:BLACK
- 3 POLYMETHYLPENTENE, GENERAL PURPOSE.
- 4 ZINC PER QQ-Z-363.
- 5 BERYLLIUM COPPER PER QQ-C-530.
- 6 BRASS PER ASTM-B-453.
- 7 NICKEL PLATE PER QQ-N-290 3.81 μm [.000150] MINIMUM THICK.
- 8 TIN PLATE PER ASTM-B-545 3.81 μm [.000150] MINIMUM THICK.
- 9 GOLD PLATE PER ASTM-B-488 0.76 μm [.000030] MINIMUM THICK.
- 10. SEE INSTRUCTION SHEET 408-2769.

	5413194-2
	5413194-1
HOUSING MATERIAL	PART NO

THIS DRAWING IS A CONTROLLED DOCUMENT.

DIMENSIONS: mm [INCHES]	TOLERANCES UNLESS OTHERWISE SPECIFIED: 0 PLC ± - 1 PLC ± - 2 PLC ± 0.06 [.002] 3 PLC ± - 4 PLC ± - ANGLES ± - FINISH SEE NOTES 7-9	DWN L. VARELA - 21APR2005 CHK J. HAVENER 21APR2005 APP'D J. LIPPERT 21APR2005	NAME Tyco Electronics Corporation Harrisburg, Pa 17105-3608
MATERIAL SEE NOTES 1-6	SIZE A1	CAGE CODE 00779	DRAWING NO 5413194
CUSTOMER DRAWING		SCALE 4:1	SHEET 1 OF 1