

Distributed by:

**JAMECO**<sup>®</sup>  
ELECTRONICS

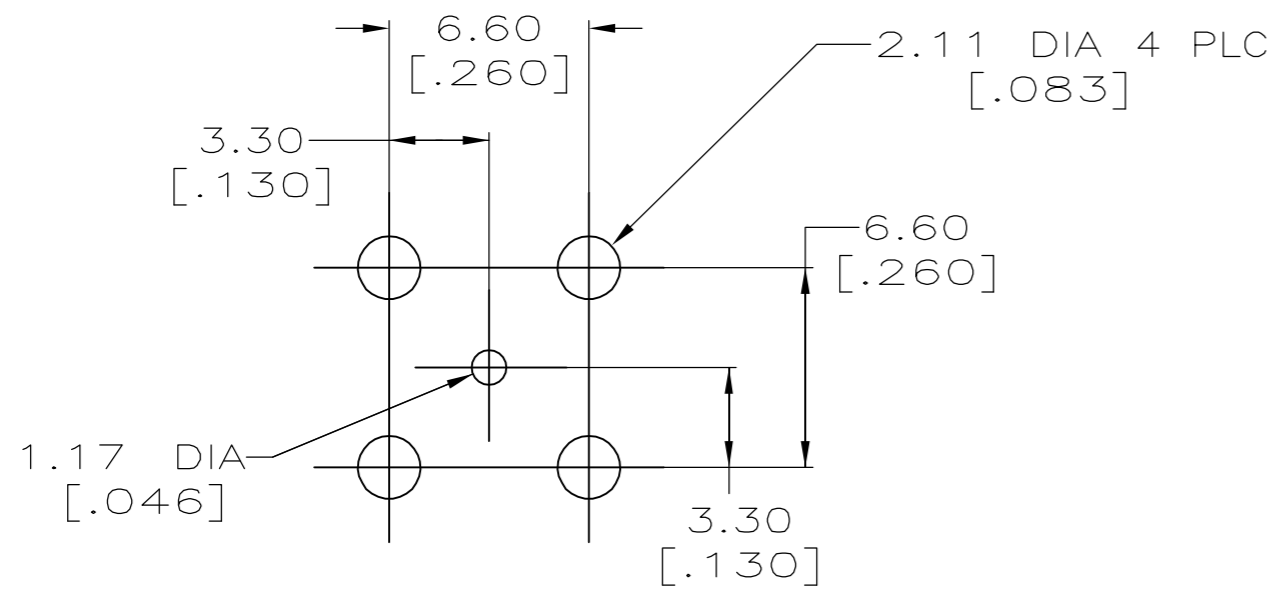
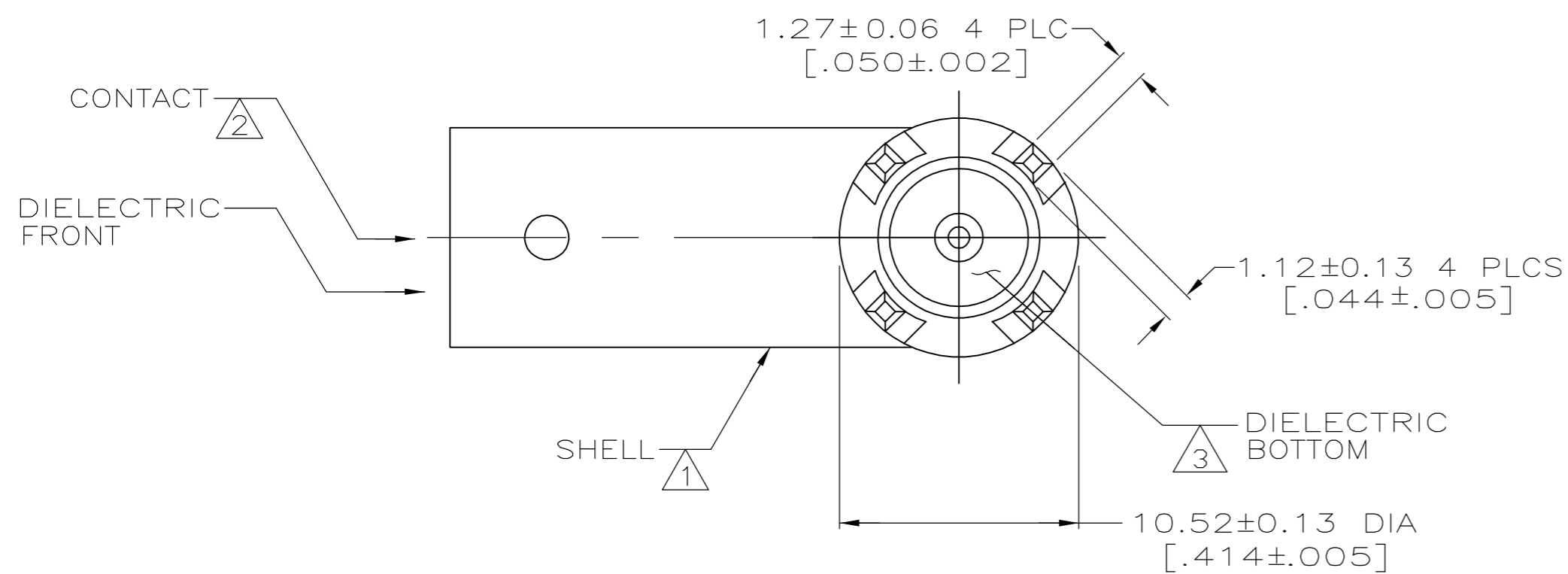
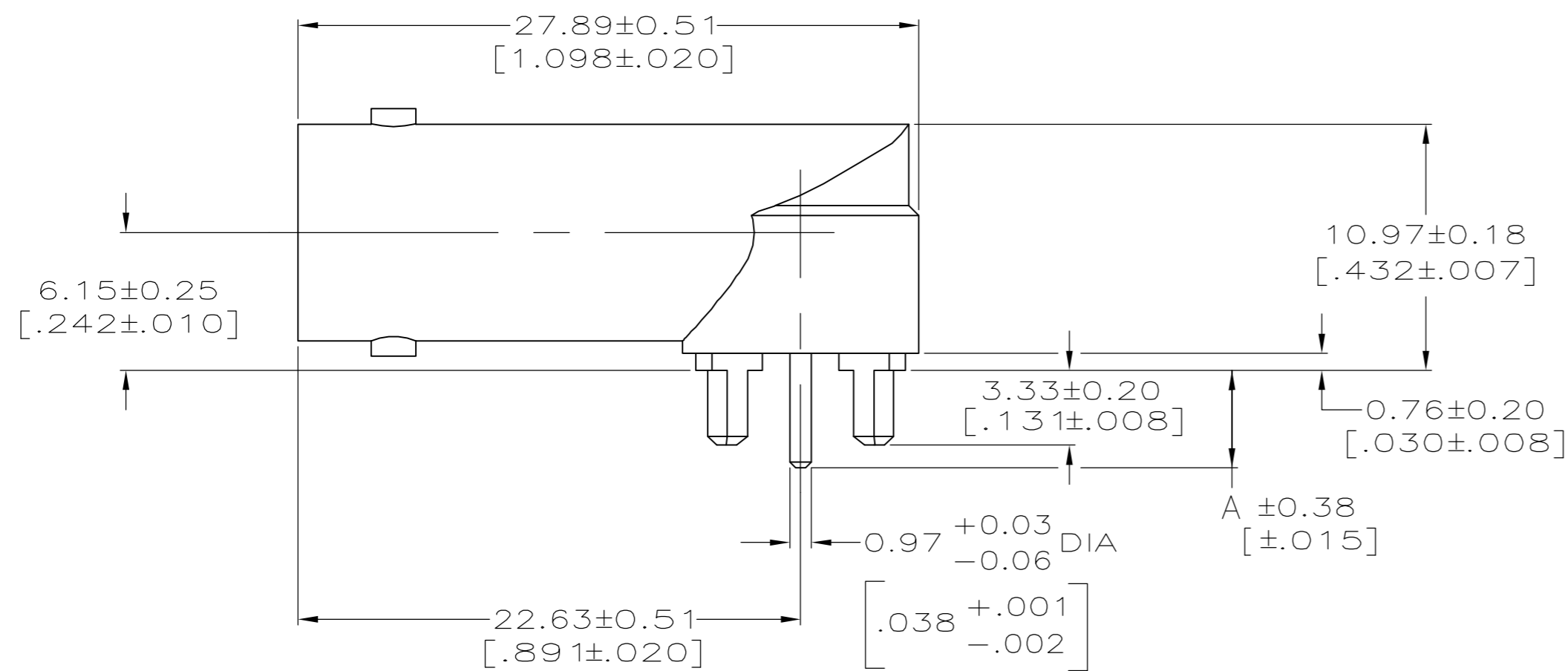
**www.Jameco.com ♦ 1-800-831-4242**

The content and copyrights of the attached  
material are the property of its owner.

Jameco Part Number 955528

THIS DRAWING IS UNPUBLISHED. RELEASED FOR PUBLICATION  
 © COPYRIGHT BY TYCO ELECTRONICS CORPORATION. ALL RIGHTS RESERVED.

LOC	DIST	REVISIONS			
P	LTR	DESCRIPTION	DATE	DWN	APVD
AJ	00	B	REVISED PER ECO 06-024121	1/29/2007	DW JL



PCB CONFIGURATION

- 1 ZINC PER ASTM B 86.
- 2 BERYLLIUM COPPER PER ASTM B 196.
- 3 PTFE PER ASTM B 1710.
- 4 NICKEL PLATE PER QQ-N-290, 3.81 μm [.000150] MINIMUM THICK.
- 5 TIN PLATE PER ASTM B 545, 3.04 μm [.000120] MINIMUM THICK, OVER NICKEL PLATE PER MIL-C-26074, 7.62 μm [.000300] MINIMUM THICK.
- 6 GOLD PLATE PER ASTM B 488, 1.27 μm [.000050] MINIMUM THICK.
- 7 INTERFACE PER MIL-C-39012.
- 8 GOLD PLATE PER ASTM B 488, 0.76 μm [.000030] MINIMUM THICK.
- 9 POLYMETHYLPENTENE: GENERAL PURPOSE.

9	4.34 [.171]	8	4	5413558-5
9	3.33 [.131]	6	4	5413558-3
3	4.34 [.171]	6	5	5413558-2
9	4.34 [.171]	6	4	5413558-1
FRONT DIELECTRIC MATERIAL	A	CONTACT FINISH	SHELL FINISH	PART NUMBER

THIS DRAWING IS A CONTROLLED DOCUMENT.		DWN L. VARELA - DOCK5 22APR2005	Tyco Electronics Corporation Harrisburg, PA 17105-3608	
DIMENSIONS: mm [INCHES]		CHK J. HAVENER 22APR2005	NAME	
TOLERANCES UNLESS OTHERWISE SPECIFIED:		APVD J. LIPPERT 22APR2005	PRODUCT SPEC	
0 PLC ± -		108-12078		
1 PLC ± -		APPLICATION SPEC		
2 PLC ± 0.08 [.003]		SIZE CAGE CODE DRAWING NO RESTRICTED TO		
3 PLC ± -		A2 00779 C=5413558		
4 PLC ± -		WEIGHT -		
ANGLES ± -		SCALE 4:1 SHEET 1 of 1 REV B		
FINISH		CUSTOMER DRAWING		
SEE NOTES 1-3		SEE NOTES 4-6, 8-9		