

Distributed by:

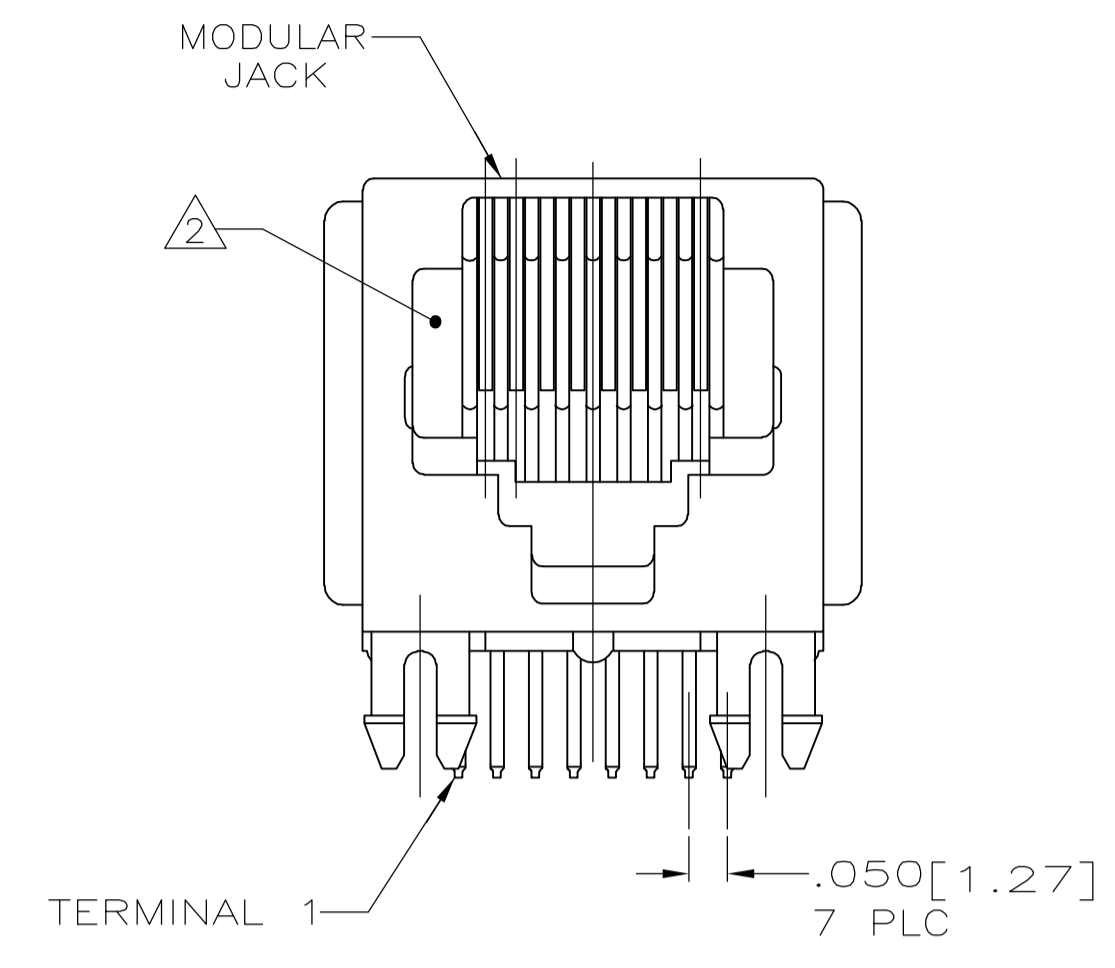
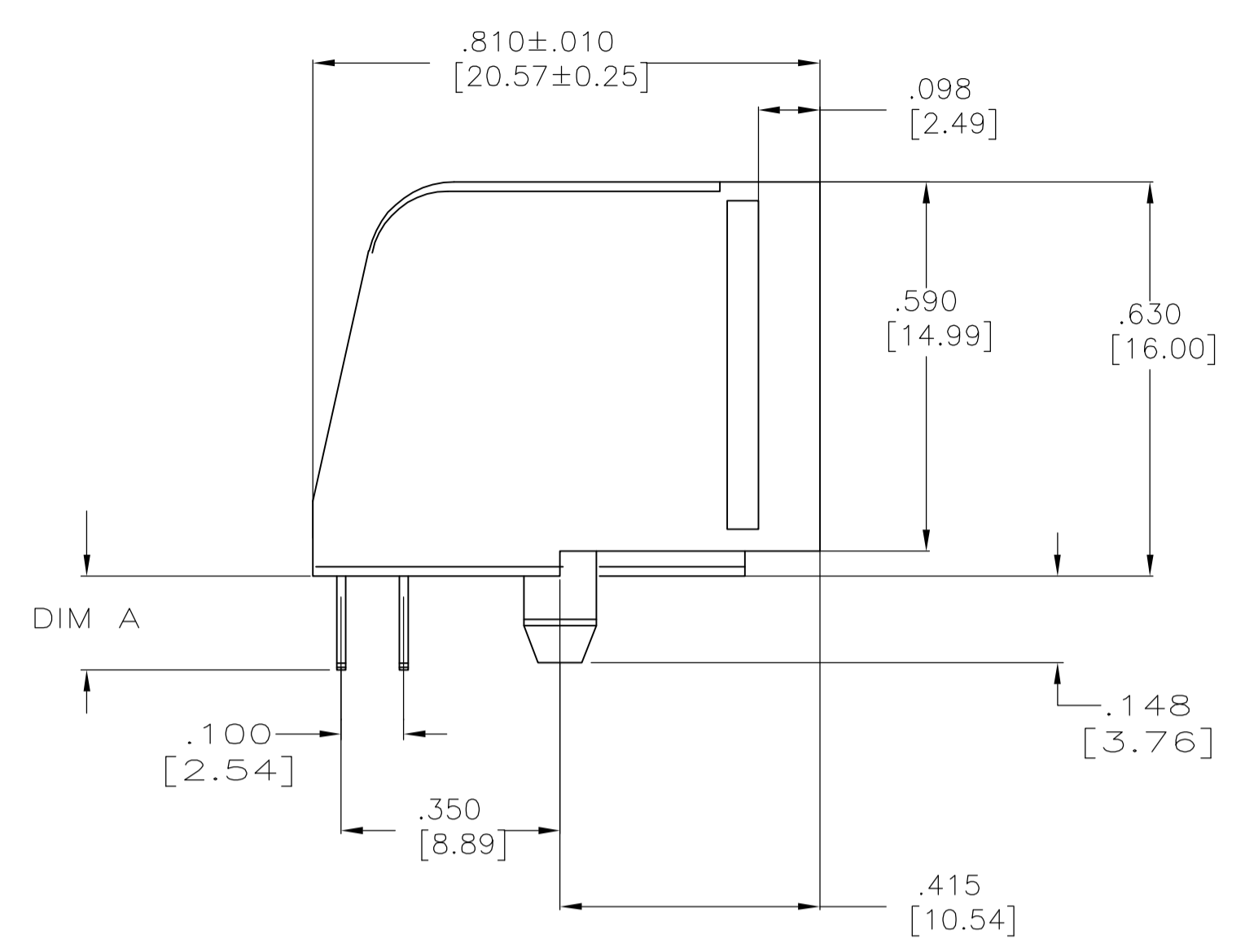
JAMECO[®]
ELECTRONICS

www.Jameco.com ♦ 1-800-831-4242

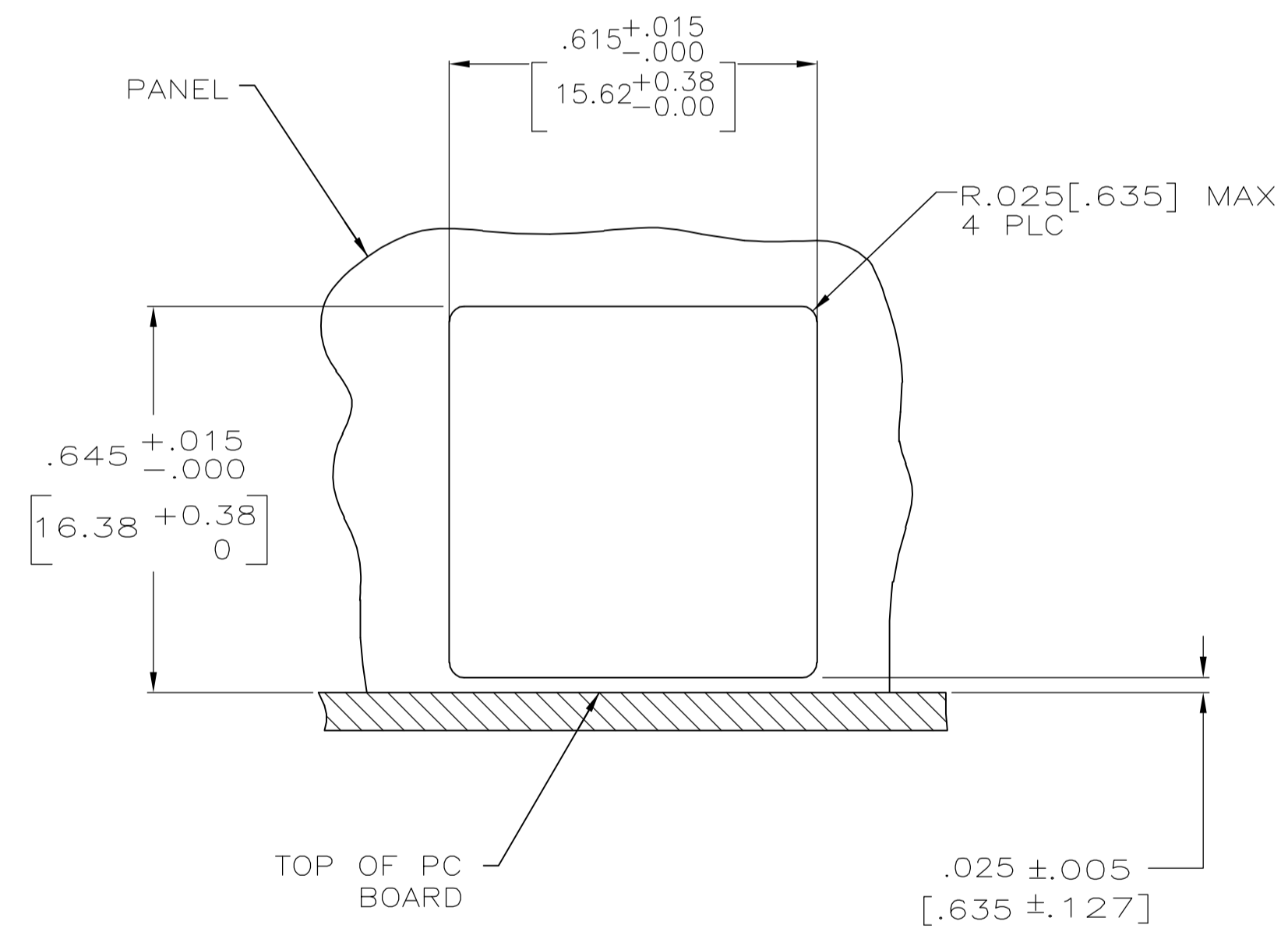
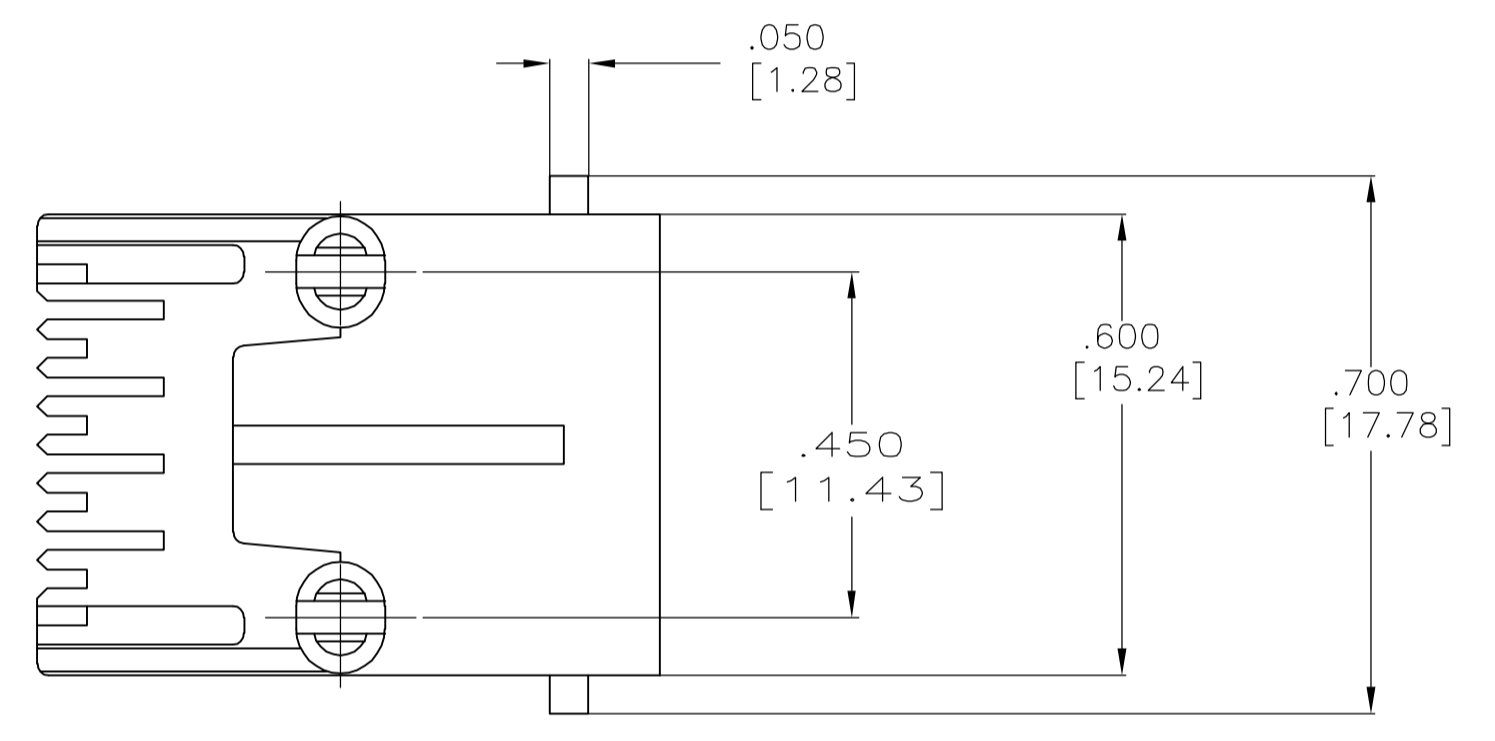
The content and copyrights of the attached
material are the property of its owner.

Jameco Part Number 956088

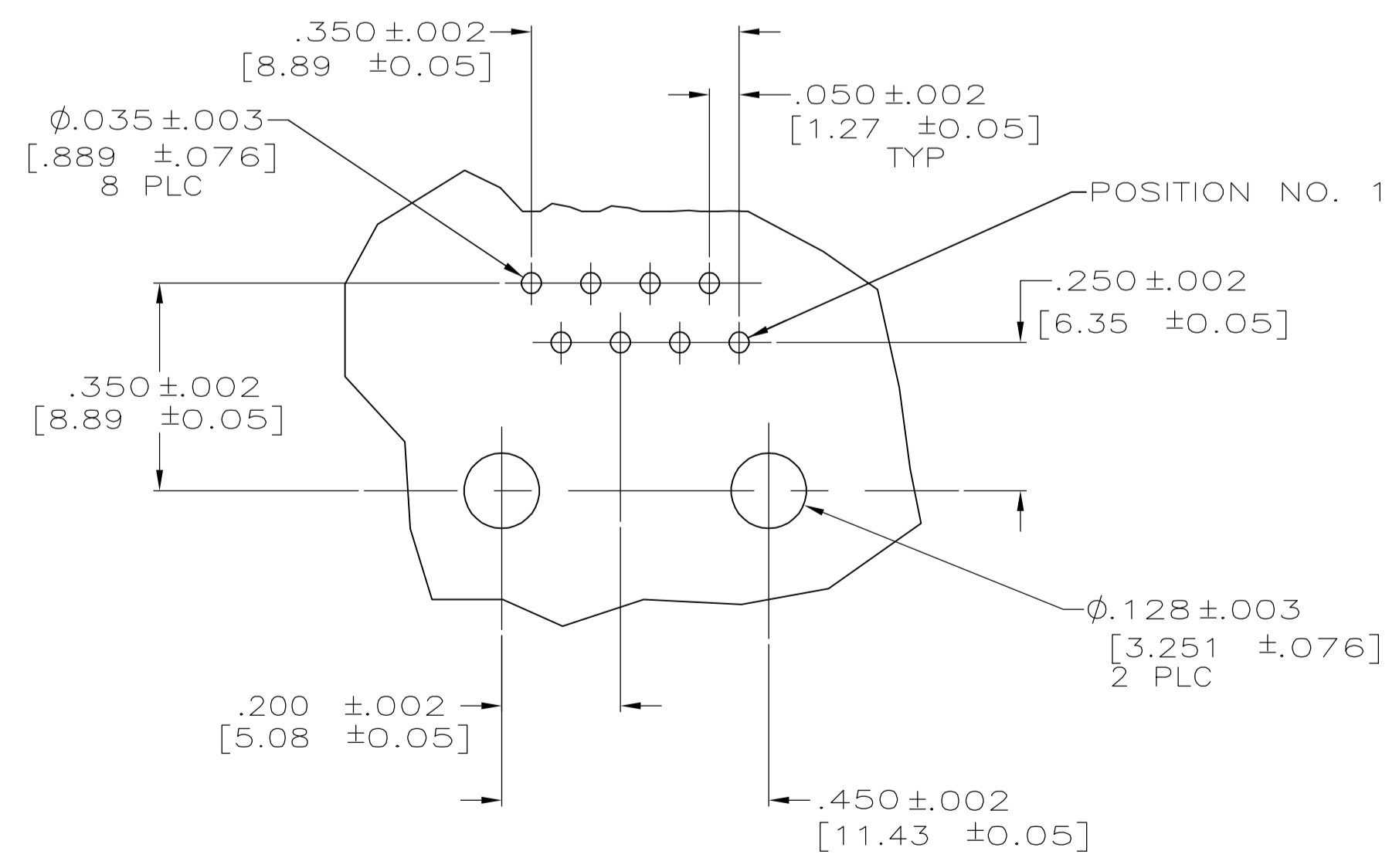
LOC		DIST		REVISIONS			
P	LTR	DESCRIPTION	DATE	DNW	APVD		
B		ECO-06-004792	16MAR06	LAM	JW		



- MATERIAL: HOUSING - PBT POLYESTER, BLACK.
 TERMINAL - PHOS-BRONZE PLATED WITH .000050 [1.27 μm] THICK HARD GOLD IN LOCALIZED GOLD PLATE AREA AND .000080 [2.03 μm] MIN THICK MATTE TIN IN SOLDER AREA OVER .000050 [1.27 μm] MIN THICK NICKEL UNDERPLATE.
- CAVITY CONFORMS TO FCC RULES AND REGULATIONS PART 68 AND REA BULLETIN 345-81, PE-76 SPECIFICATION FOR MODULAR TELEPHONE HARDWARE.
- BULK PACKAGED IN A TRAY.



SUGGESTED PANEL CUTOUT



SUGGESTED PRINTED CIRCUIT BOARD LAYOUT
 NONCOMPONENT SIDE SHOWN

.10-.12 [2.54-3.05]	3	8	5520251-9
.13-.17 [3.30-4.32]	3	8	5520251-4
DIM A	PACKAGED	TERMINALS	PART NUMBER

DIMENSIONS: INCHES (mm)		TOLERANCES UNLESS OTHERWISE SPECIFIED:		DIN G GARRETT/L.A.MAYER 5-23-95		APVD S.FLICKINGER 08JUNE2005		Tyco Electronics Corporation Harrisburg, Pa 17105-3608	
0 PLC	± -	1 PLC	± -	2 PLC	± -	3 PLC	± .005(.013)	4 PLC	± ± -
ANGLE: ± ± - FINISH: SEE NOTE 1 MATERIAL: SEE NOTE 1				NAME: S.FLICKINGER PRODUCT SPEC: 108-1163 APPLICATION SPEC: 114-2048		SIZE: A1 CAGE CODE: 00779 DRAWING NO: 5520251		RESTRICTED TO: - CUSTOMER DRAWING: - SCALE: 4:1 SHEET: 1 OF 1 REV: B	