

Distributed by:

**JAMECO**<sup>®</sup>  
ELECTRONICS

**www.Jameco.com ♦ 1-800-831-4242**

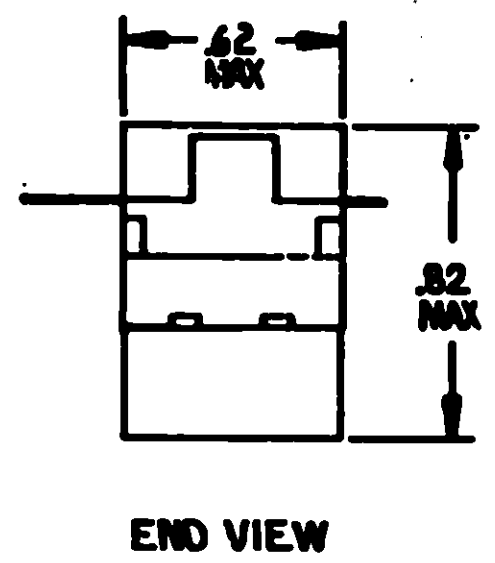
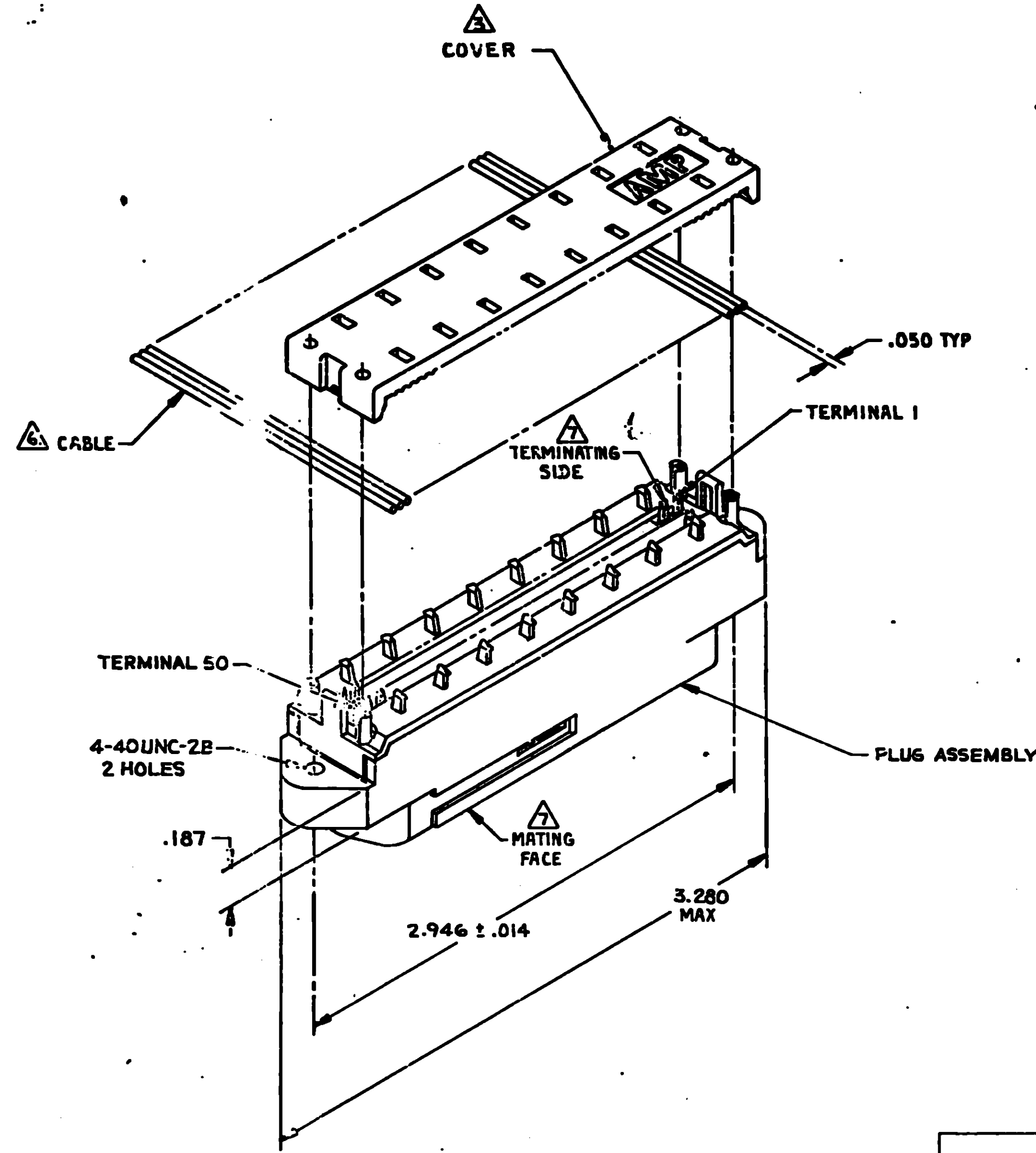
The content and copyrights of the attached  
material are the property of its owner.

Jameco Part Number 956715

THIS DRAWING IS UNPUBLISHED. RELEASED FOR PUBLICATION  
 COPYRIGHT 19 BY AMP INCORPORATED, HARRISBURG, PA. ALL INTERNATIONAL RIGHTS RESERVED. AMP PRODUCTS MAY BE COVERED BY U.S. AND FOREIGN PATENTS AND/OR PATENTS PENDING.

LOC DIST AA 13/2

REVISIONS				DATE	APPROVED
P	F	ZONE/LTR	DESCRIPTION		
F			REV PER ECN AA-375	2/1/83	SD TE



1. THE CONTACT SURFACES OF THE TERMINALS ARE COATED WITH LUBRICANT.
2. MATERIAL : HOUSING & COVER-THERMOPLASTIC (BLK). TERMINALS - GOLD OVER NICKEL PLATED HIGH STRENGTH COPPER ALLOY ON MATING FACE & GOLD FLASH OVER NICKEL PLATE ON TERMINATING SIDE.
3. COVER SHOWN LOOSE BUT SHIPPED ASSEMBLED.
4. WIRE RANGE : 26 AWG SOLID THRU 30 AWG SOLID AND 28 AWG STRANDED RIBBON CABLE.
5. ALL DIMENSIONS SHOWN ARE FOR REFERENCE ONLY UNLESS OTHERWISE SPECIFIED.
6. FLAT CABLE SHALL BE FURNISHED BY CUSTOMER.
7. MATING FACE CONSISTS OF TWO ROWS OF TERMINALS ON .085 CENTERS. TERMINATING SIDE CONSISTS OF TERMINALS ON .100 CENTERS FOR AN EFFECTIVE .050 TERMINATION.
8. FOR MORE INFORMATION REFER TO AMP PRODUCT SPECIFICATION 108-6076 & APPLICATION SPEC. 114-6030.

553602-1 AS SHOWN

UNLESS OTHERWISE SPECIFIED DIMENSIONS ARE IN INCHES. TOLERANCES ON: DECIMALS ± _____ ANGLES ± _____		CONTRACT NO		AMP   AMP INCORPORATED Harrisburg, Pa. 17105	
MATERIAL		DR <i>K. Shelton</i> 3-16-83		NAME	
FINISH		CHK <i>MD Jiral</i> 3-21-83		PLUG ASSEMBLY, 50 POSITION, SCREW LOCK, LOW PROFILE, CHAMP LATCH	
		APPD <i>M. J. Jiral</i> 3/21/83		SIZE	
		APPD <i>James H. Dite</i> 3/22/83		FSCM NO	
		DSGN APPD		DRAWING NO	
		OTHER APPD		C 00779	
				553602	
				SCALE 2:1	
				SHEET 1 OF 1	

553602