

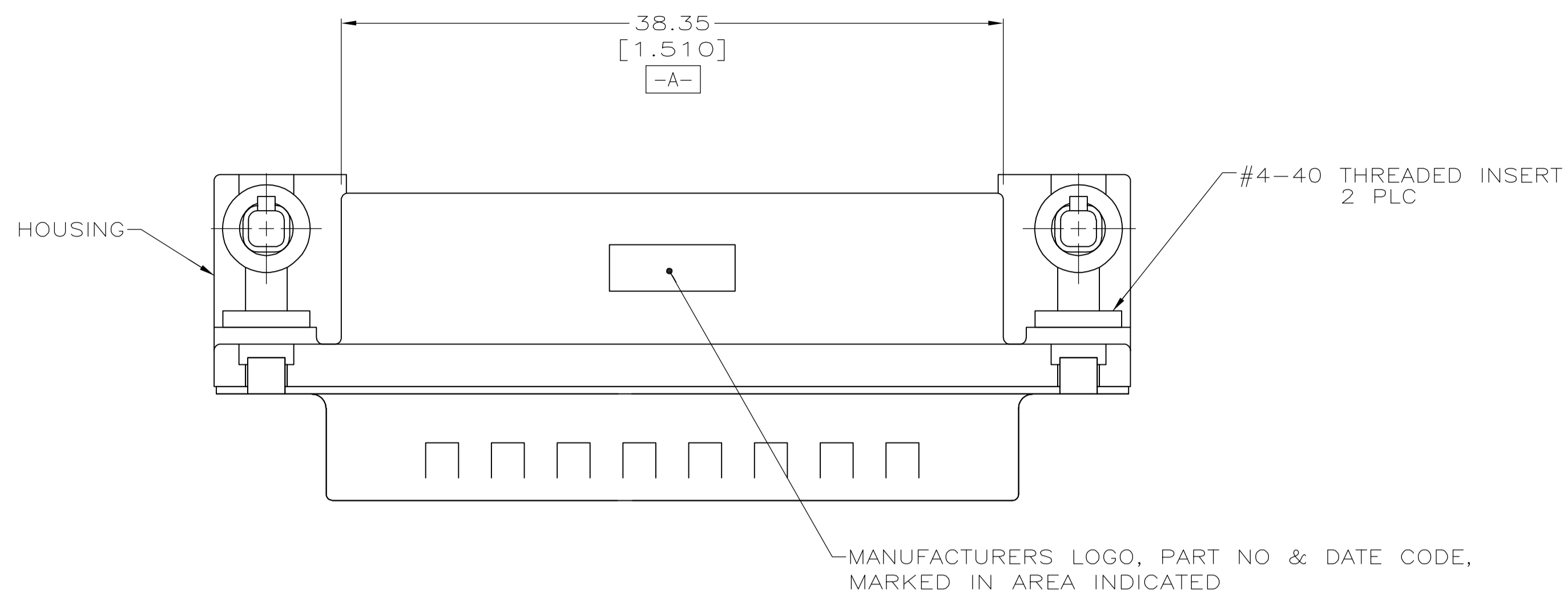
Distributed by:

**JAMECO**<sup>®</sup>  
ELECTRONICS

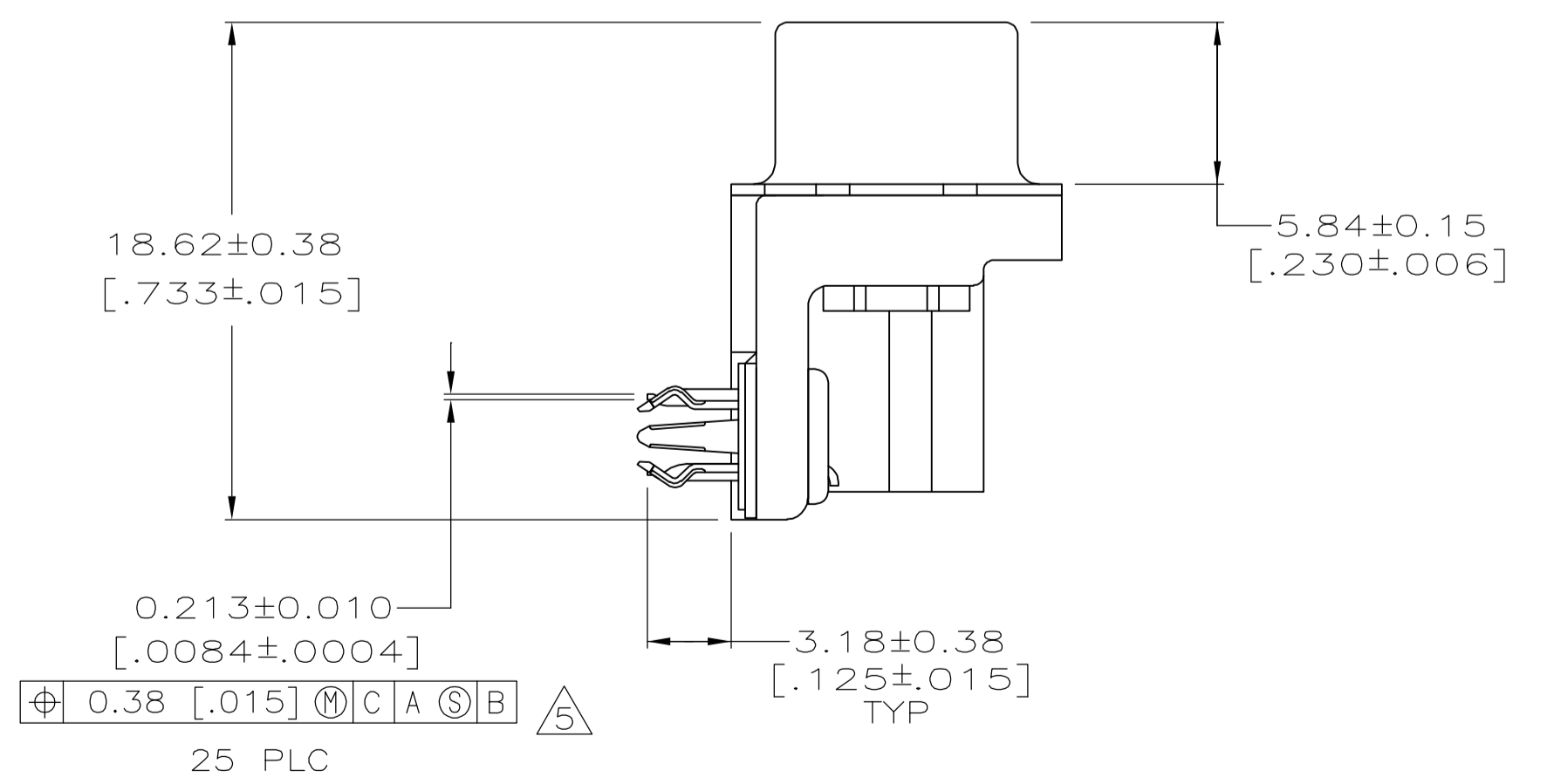
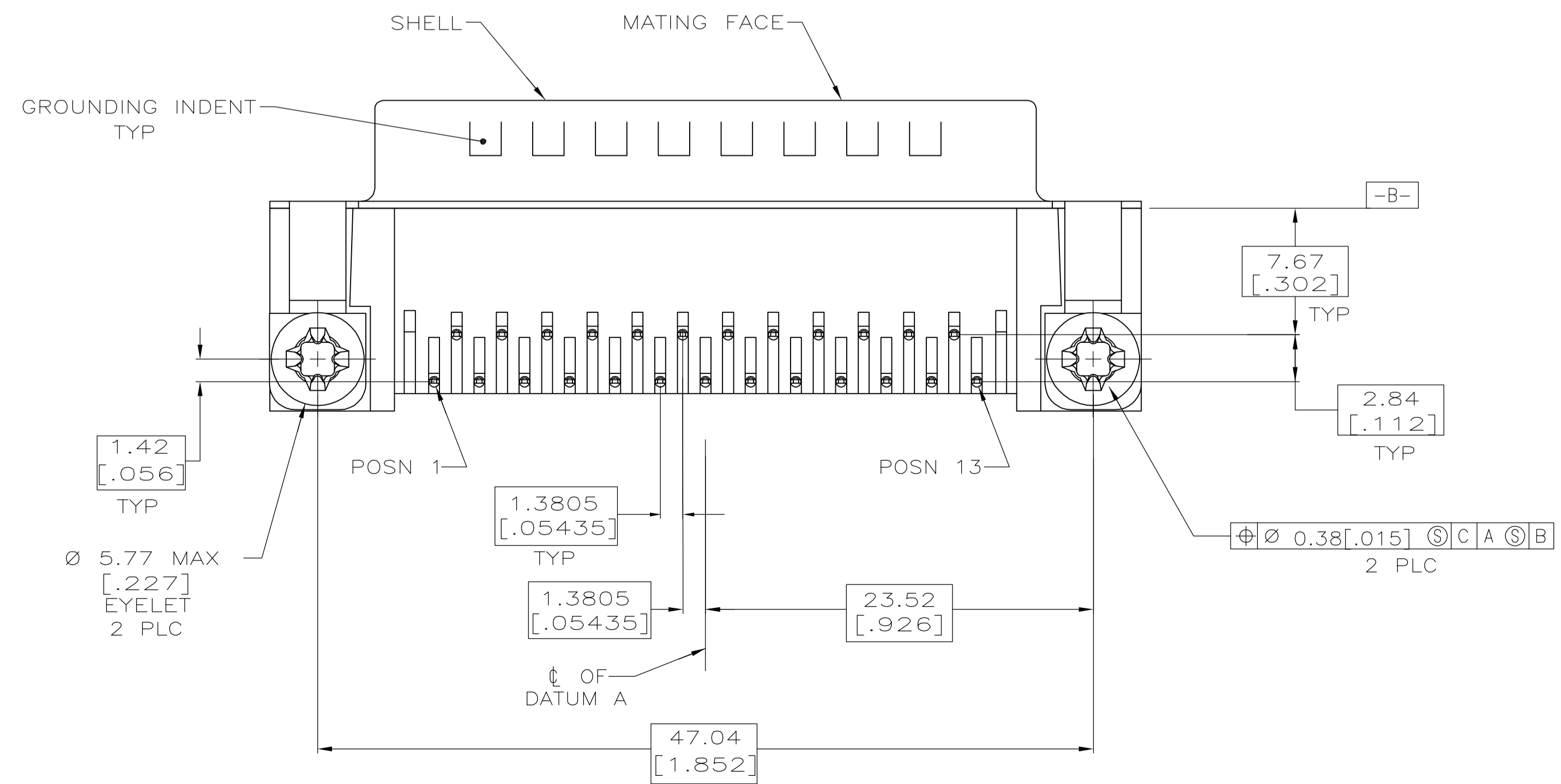
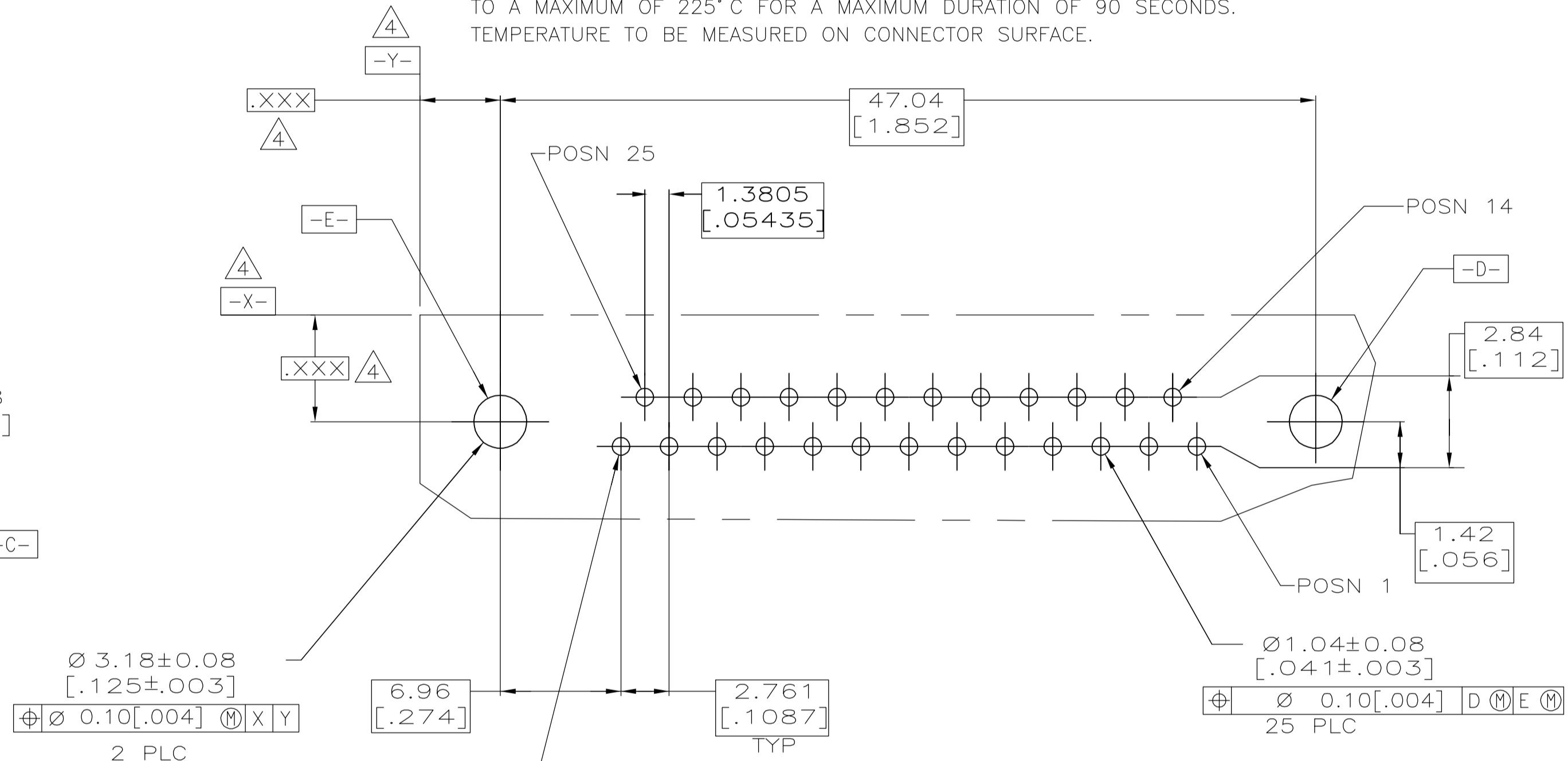
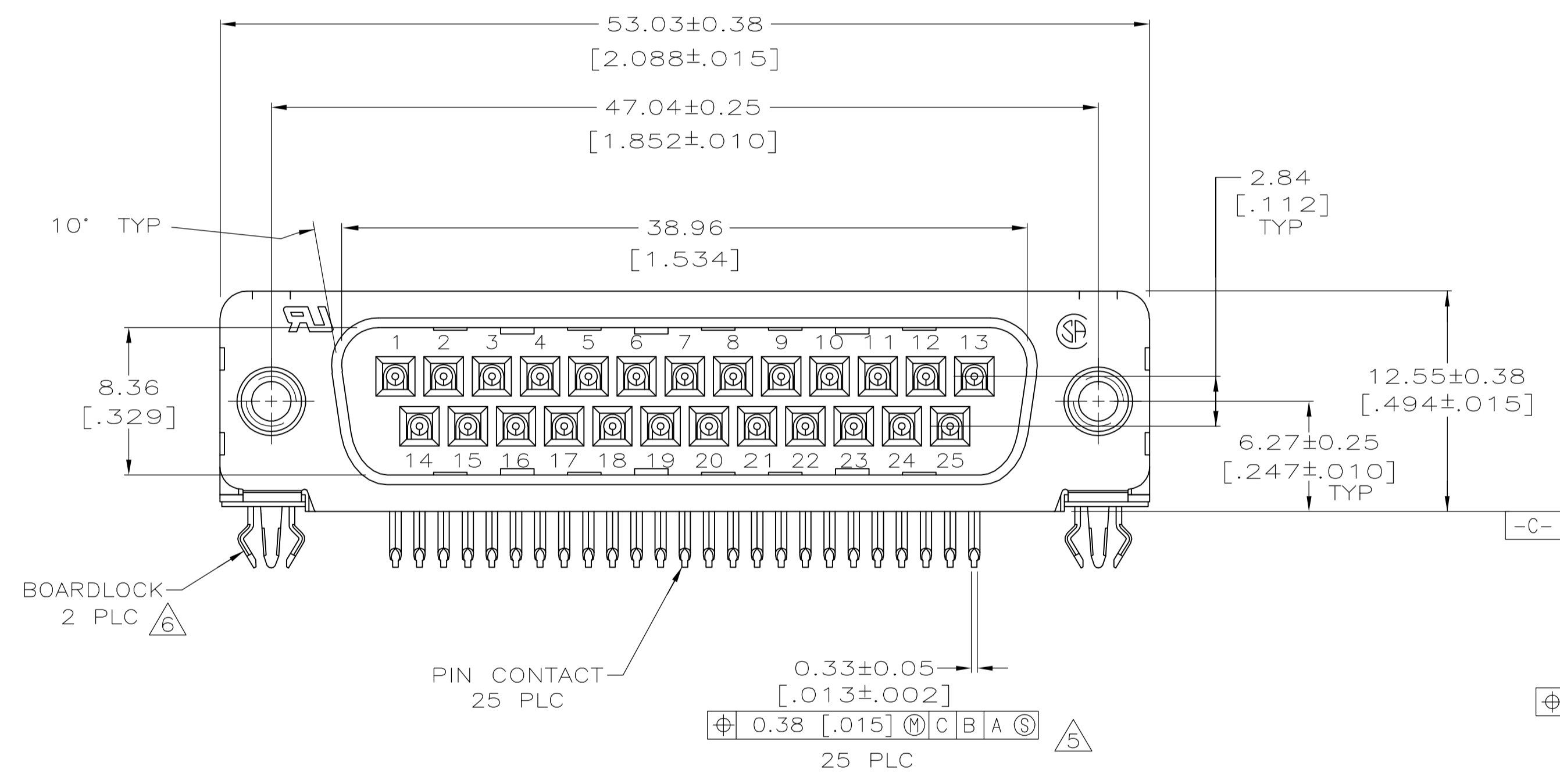
**www.Jameco.com ♦ 1-800-831-4242**

The content and copyrights of the attached  
material are the property of its owner.

Jameco Part Number 961952



- △ HOUSING: NYLON, THERMOPLASTIC, UL 94V0 RATED, BLACK; SHELL: CARBON STEEL; PIN CONTACTS: BRASS; EYELETS: BRASS; THREADED INSERTS: ZINC; BOARDLOCKS: COPPER ALLOY.
- △ PIN CONTACTS: GOLD PLATED FOR A LENGTH OF 3.81 [.150] MIN FROM MATING END, 0.76μm [.000030] MIN GOLD IN MATED AREA, 2.54μm [.000100] MIN TIN FOR A LENGTH OF 3.56 [.140] MIN FROM OPPOSITE END, BOTH OVER 1.27μm [.000050] MIN NICKEL.  
-OR-  
GOLD FLASH OVER PALLADIUM NICKEL PLATED FOR A LENGTH OF 3.81 [.150] MIN FROM MATING END, 0.76μm [.000030] MIN PALLADIUM NICKEL IN MATED AREA, 2.54μm [.000100] MIN TIN FOR A LENGTH OF 3.56 [.140] MIN FROM OPPOSITE END, BOTH OVER 1.27μm [.000050] MIN NICKEL.  
EYELETS: 2.54μm [.000100] MIN TIN OVER COPPER FLASH.  
SHELL: 2.54μm [.000100] MIN TIN OVER 1.27μm [.000050] MIN COPPER.  
THREADED INSERTS: CLEAR CHROMATE.  
BOARDLOCKS: 3.81μm [.000150] MIN TIN OVER 1.27μm [.000050] MIN NICKEL.
- △ PIN CONTACTS: GOLD PLATED FOR A LENGTH OF 3.81 [.150] MIN FROM MATING END, GOLD FLASH IN MATED AREA, 2.54μm [.000100] MIN TIN FOR A LENGTH OF 3.56 [.140] MIN FROM OPPOSITE END, BOTH OVER 1.27μm [.000050] MIN NICKEL.  
EYELETS: 2.54μm [.000100] MIN TIN OVER COPPER FLASH.  
SHELL: 2.54μm [.000100] MIN TIN OVER 1.27μm [.000050] MIN COPPER.  
THREADED INSERTS: CLEAR CHROMATE.  
BOARDLOCKS: 3.81μm [.000150] MIN TIN OVER 1.27μm [.000050] MIN NICKEL.
- △ DATUMS AND BASIC DIMENSIONS ESTABLISHED BY CUSTOMER.
- △ POSITION TOLERANCE APPLIES AT CONTACT TIP.
- △ BOARDLOCKS WILL ACCEPT .062 MAX PRINTED CIRCUIT BOARD THICKNESS.
- 7. COMPATIBLE WITH TYPICAL HIGH TEMPERATURE SOLDERING APPLICATIONS TO A MAXIMUM OF 225° C FOR A MAXIMUM DURATION OF 90 SECONDS. TEMPERATURE TO BE MEASURED ON CONNECTOR SURFACE.



△	5788794-2
△	5788794-1
FINISH	PART NO

**COPYRIGHT 2005  
TYCO ELECTRONICS CORP  
ALL RIGHTS RESERVED**

THIS DRAWING IS A CONTROLLED DOCUMENT.		DIN J. ALCORTA - 04-07-05		Tyco Electronics Corporation	
DIMENSIONS: mm [inches]		CHK J. GERACE		Harrisburg, PA 17105-3608	
TOLERANCES UNLESS OTHERWISE SPECIFIED:		APVD M. WALMSLEY 04-07-05		NAME	
0 PLC	± -	PRODUCT SPEC		PLUG ASSEMBLY, SIZE 3, 318 SERIES, WITH FRONT METAL SHELL, HIGH TEMPERATURE, AMPLIMITE HD-20	
1 PLC	± -	APPLICATION SPEC		108-40025	
2 PLC	± 0.13 [.005]	SIZE		CAGE CODE DRAWING NO	
3 PLC	± -	114-40010		A1 00779 C=5788794	
4 PLC	± -	WEIGHT		RESTRICTED TO	
ANGLES	± -	CUSTOMER DRAWING		SCALE 4:1 SHEET 1 OF 1 REV A	
MATERIAL	SEE TABLE				