

Distributed by:

**JAMECO**<sup>®</sup>  
ELECTRONICS

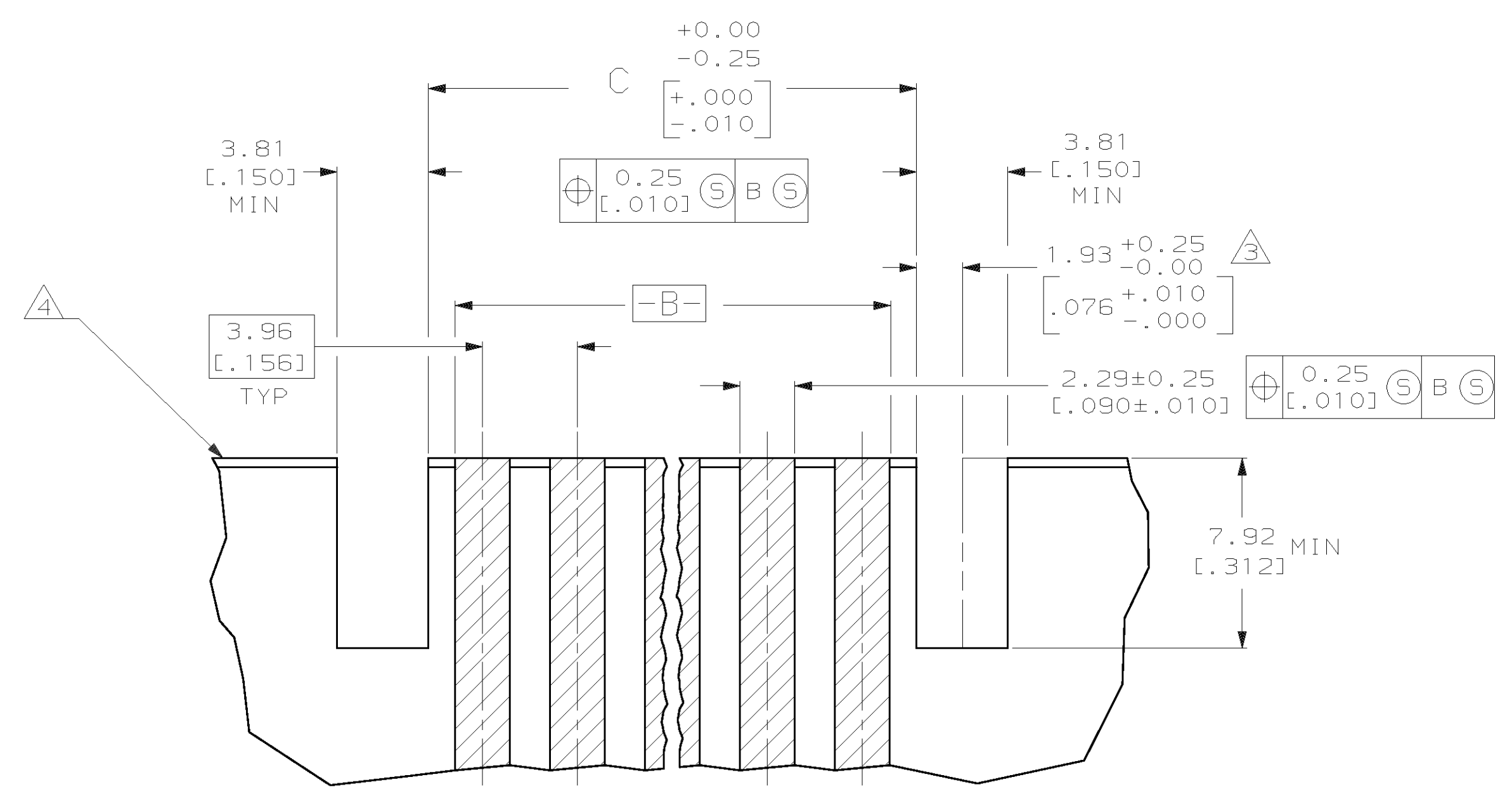
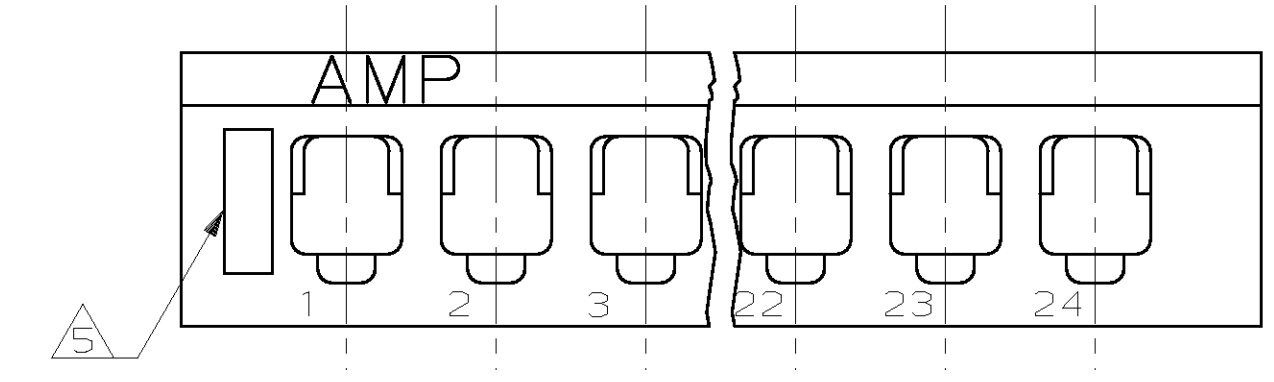
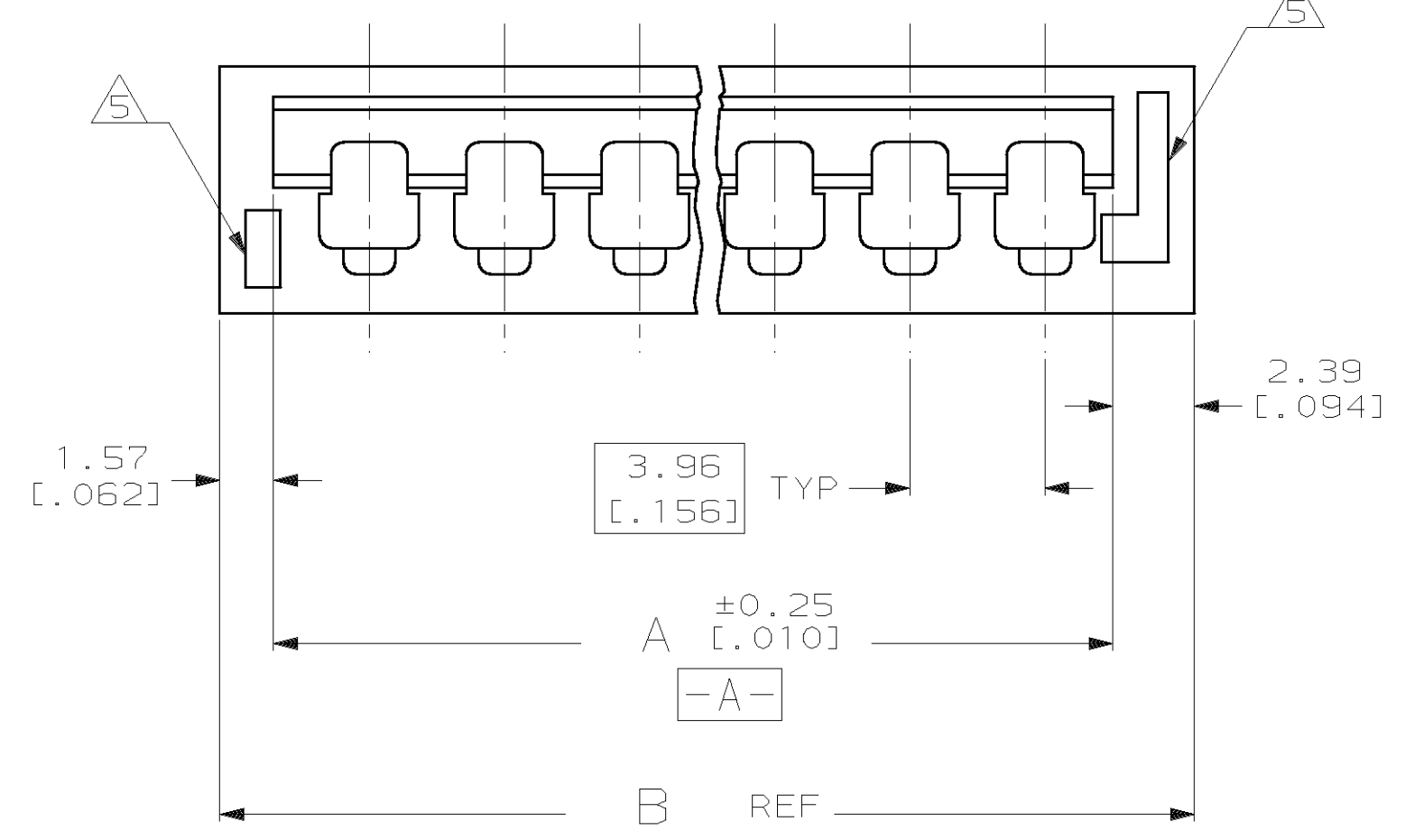
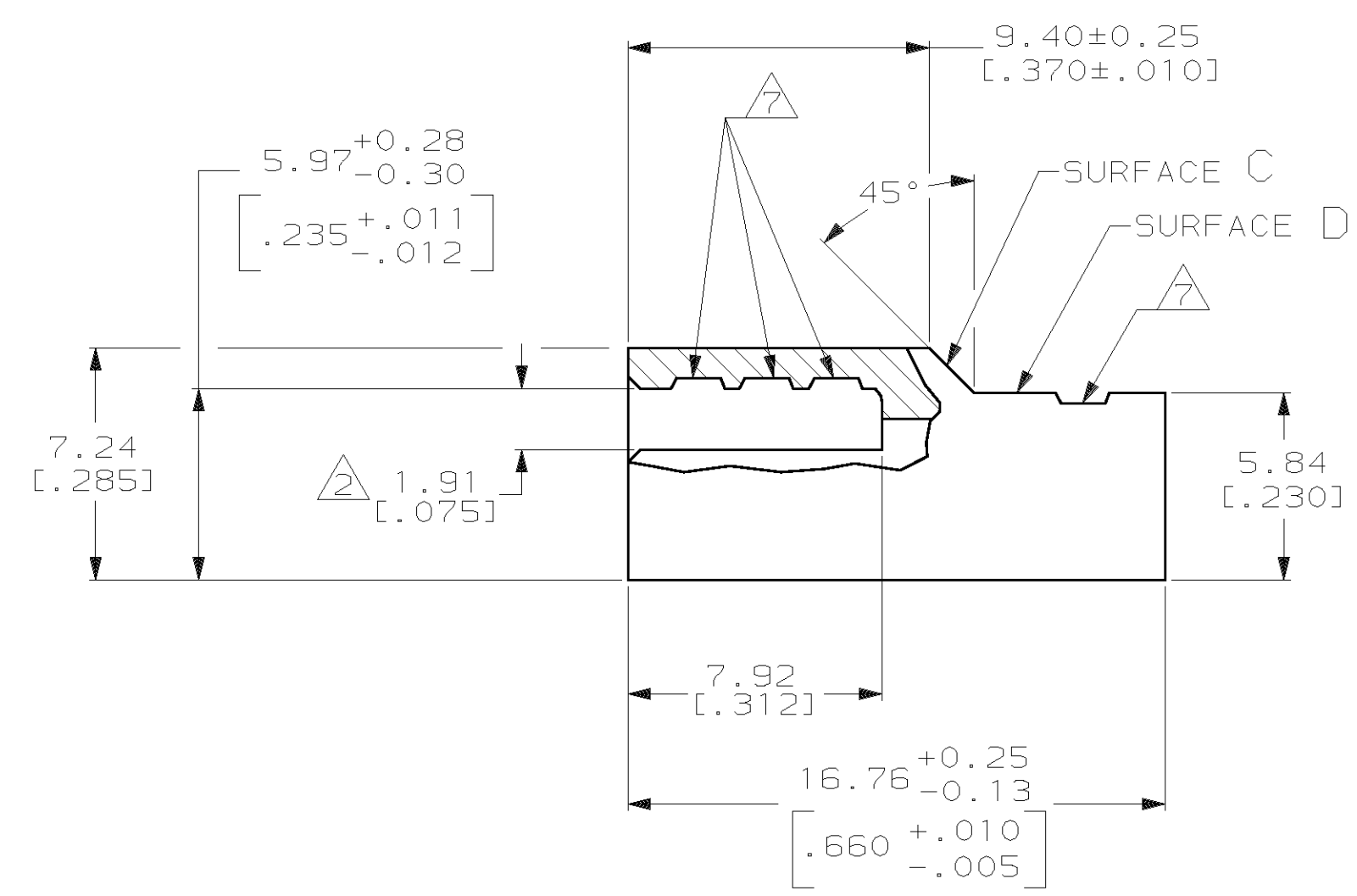
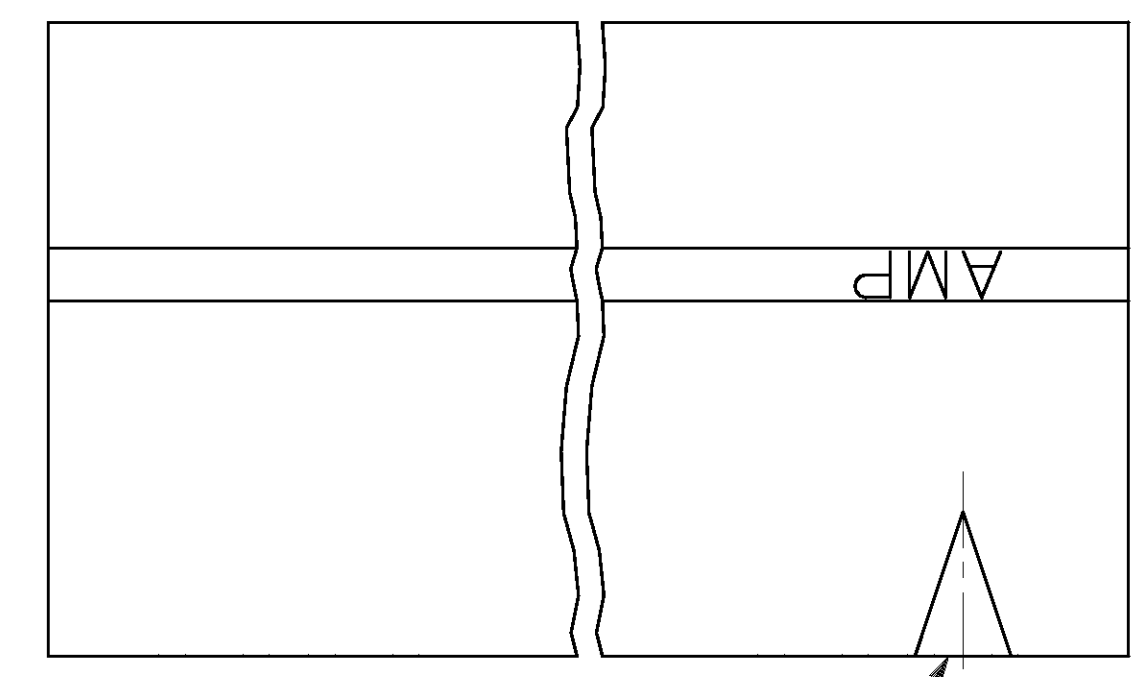
**www.Jameco.com ♦ 1-800-831-4242**

The content and copyrights of the attached  
material are the property of its owner.

Jameco Part Number 964993

LOC		DIST		P		F		ZONE		LTR		REVISIONS		DATE	APPD
CM	52												REACTIVATE -22 PER EC 0L30-0151-97	8-18-97	JH

- HOUSING ACCEPTS CONTACTS P/N 61668 OR 350194.
- MEASURED AT ENDS OF CARD SLOT.
- RECOMMENDED CUTOUT FOR HOUSING POLARIZATION, WHERE REQUIRED.
- 0.38 [.015] MIN X 45° CHAMFER RECOMMENDED ON BOTH SIDES OF BOARD.
- CORING OPTIONAL.
- OPTIONAL FROSTED SURFACE LOCATED ON  $\phi$  OF CIRCUIT NO. 1; ANOTHER OPTION IS A RECESSED TRIANGLE ON SURFACE C WITH A FROSTED AMP LOGO ON SURFACE D.
- OPTIONAL PULL GROOVE AS REQUIRED FOR MOLDING.
- DIMENSIONS IN BRACKETS ARE IN INCHES.



87.83[3.458]	92.08[3.625]	88.11[3.469]	22	2-640136-2
71.96[2.833]	76.20[3.000]	72.24[2.844]	18	1-640136-8
64.01[2.520]	68.25[2.687]	64.29[2.531]	16	1-640136-6
60.05[2.364]	64.29[2.531]	60.33[2.375]	15	1-640136-5
48.13[1.895]	52.37[2.062]	48.41[1.906]	12	1-640136-2
44.17[1.739]	48.41[1.906]	44.45[1.750]	11	1-640136-1
40.21[1.583]	44.45[1.750]	40.49[1.594]	10	1-640136-0
36.25[1.427]	40.49[1.594]	36.53[1.438]	9	640136-9
32.26[1.270]	36.50[1.437]	32.54[1.281]	8	640136-8
28.30[1.114]	32.54[1.281]	28.58[1.125]	7	640136-7
24.33[.958]	28.58[1.125]	24.61[.969]	6	640136-6
20.37[.802]	24.61[.969]	20.65[.813]	5	640136-5
16.38[.645]	20.62[.812]	16.66[.656]	4	640136-4
8.46[.333]	12.70[.500]	8.74[.344]	2	640136-2
C	B	A	NO OF CIRCUITS	PART NO.

RECOMMENDED LAYOUT PATTERN  
 FOR 1.575±0.191 [.0620±.0075] THICK  
 P.C. BOARD INCLUDING CIRCUITRY

**METRIC**

DO NOT SCALE PRINT. UNLESS SPECIFIED DIMENSIONS IN mm [INCHES] TOLERANCES ON:		DR 2-20-92 K. SALMON		AMP Incorporated Harrisburg, PA 17105-3608	
2 PLC DEC ±		CHK 2-20-92 R. SWING			
3 PLC DEC ± 0.13 [.005]		APPD 4-24-92 W. LONG		NAME	
ANGLES ±		APPD 4-24-92 W. LONG		HOUSING, EDGE CONNECTOR, BIFURCATED LEAF	
MATERIAL		PRODUCT SPEC		SIZE	
POLYESTER, UL94V-0 (NATURAL)		-		D 00779	
FINISH		APPLICATION SPEC		DRAWING NO	
-		-		640136	
WEIGHT		-		SCALE	
-		-		5:1	
				SHEET	
				1 OF 1	