

Distributed by:

JAMECO[®]
ELECTRONICS

www.Jameco.com ♦ 1-800-831-4242

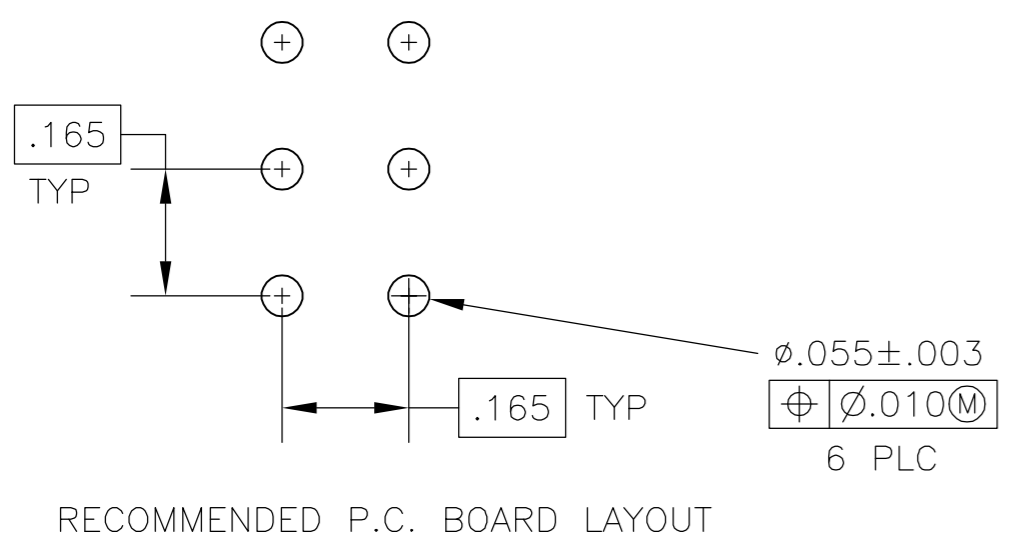
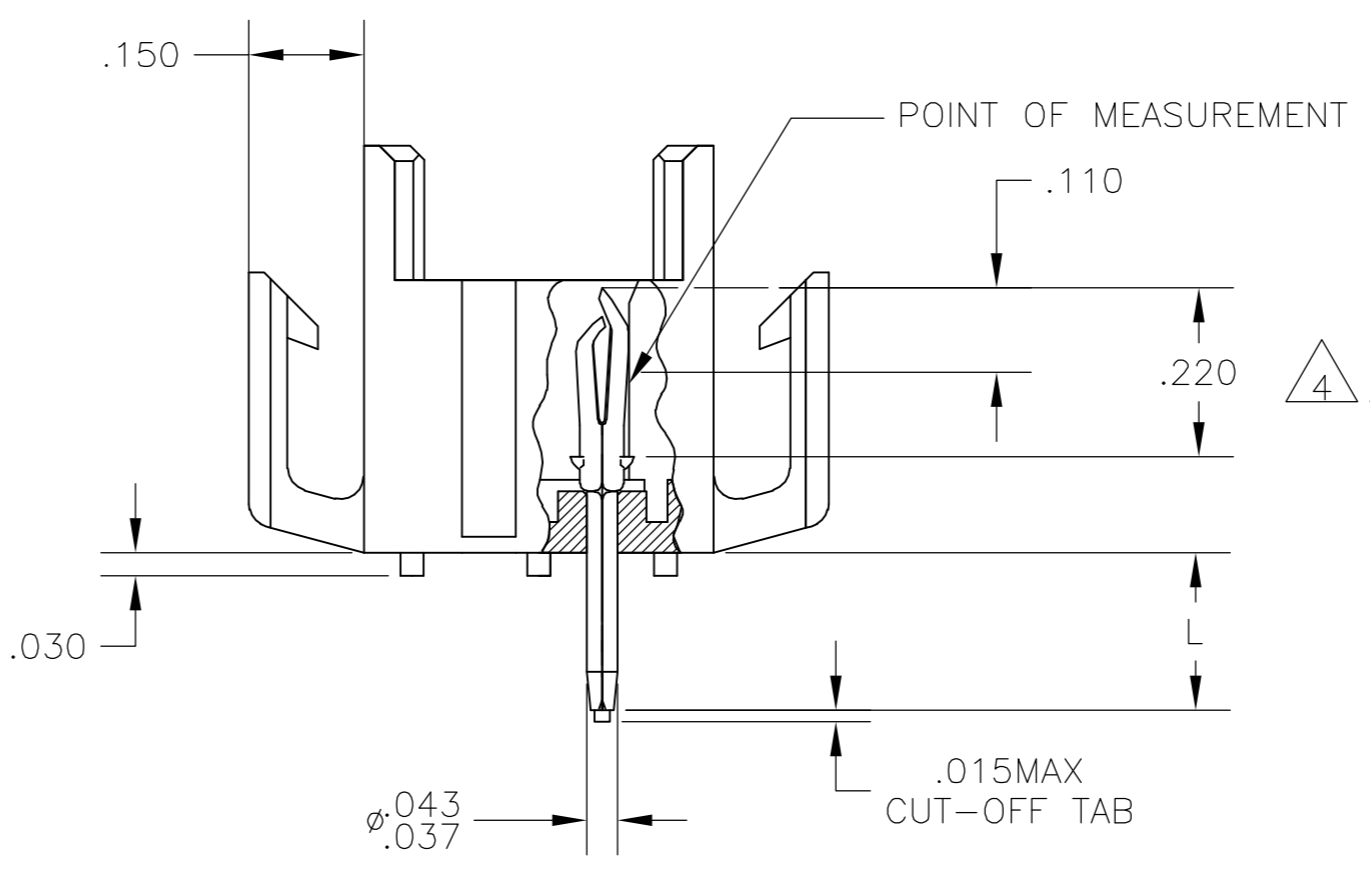
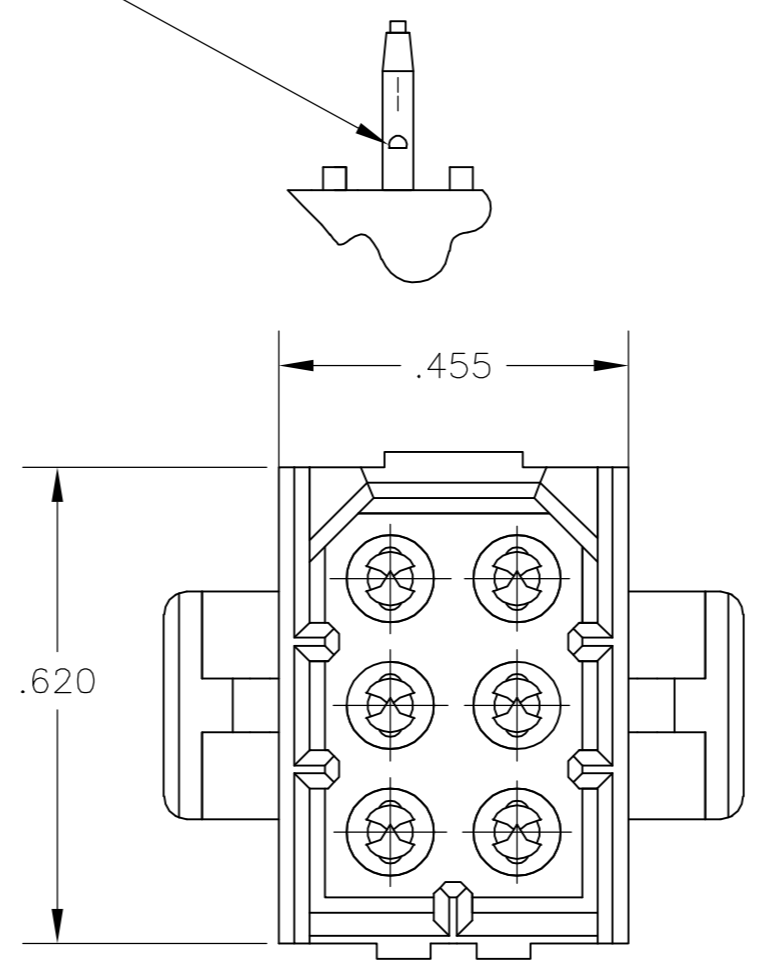
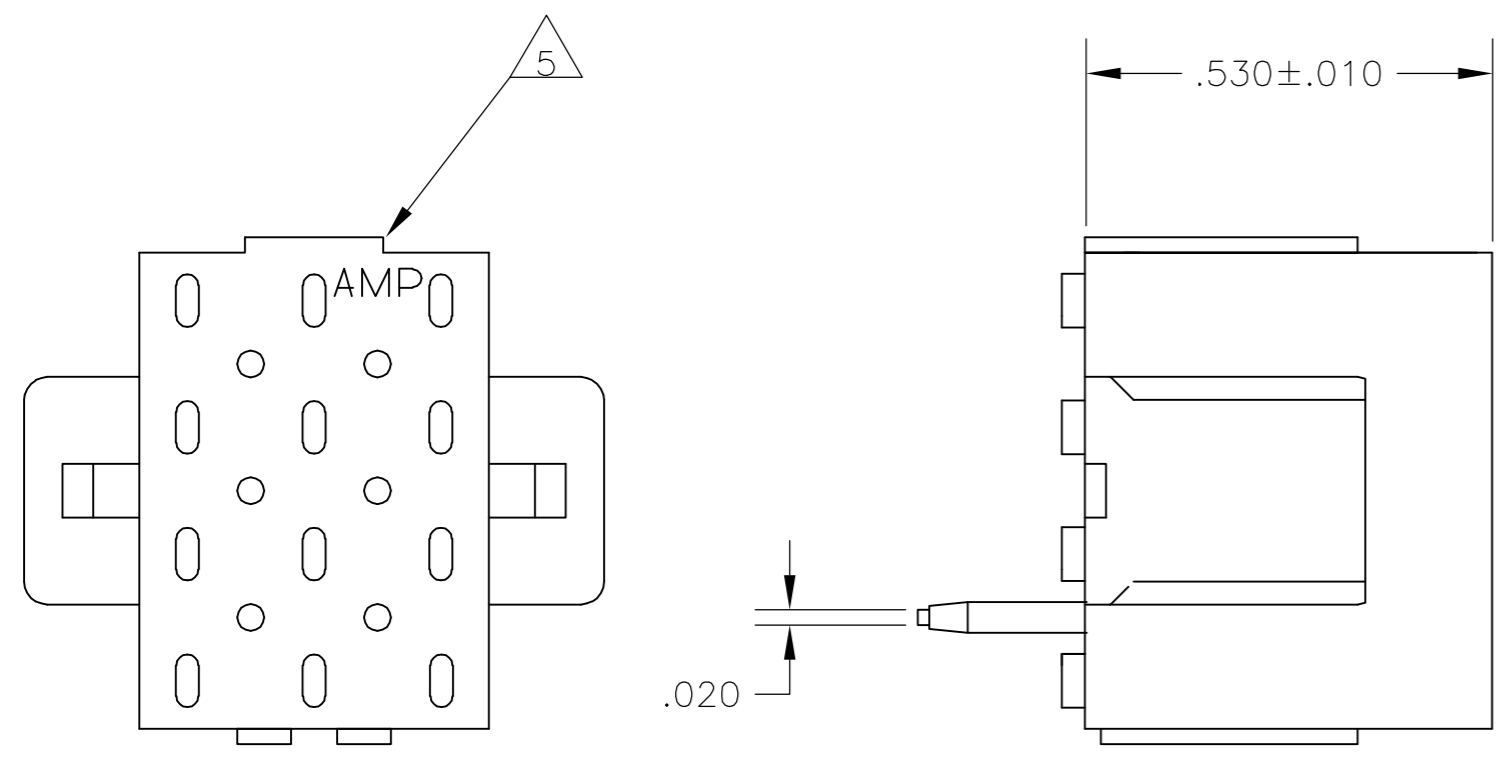
The content and copyrights of the attached
material are the property of its owner.

Jameco Part Number 965304

THIS DRAWING IS UNPUBLISHED. RELEASED FOR PUBLICATION
 © COPYRIGHT BY TYCO ELECTRONICS CORPORATION. ALL RIGHTS RESERVED.

LOC	DIST	REVISIONS					
CM	0	P	LTR	DESCRIPTION	DATE	DWN	APVD
		N		EC 0G3B 0249 05	27SEP05	BSV	RCJ

ANTI SOLDER WICKING TAB

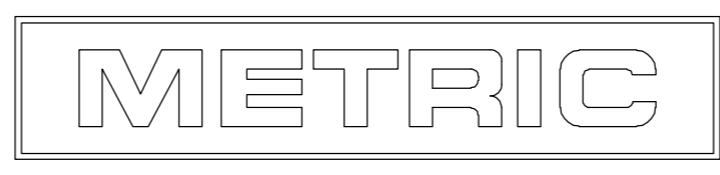


1. FITS SOCKET HOUSING 640520.
2. ASSEMBLY CONFORMS TO AMP SOLDERABILITY SPEC. 109-11-3.
3. FOR USE WITH .063 THICK P.C. BOARD.
4. CONTACT IS PLATED OVERALL WITH .000050 NICKEL, THEN .000030 GOLD OVER CONTACT LENGTH INDICATED AND .000150 MATTE TIN-LEAD ON SOLDER TAIL END.
5. UL AND CSA LOGO LOCATED ON THIS SURFACE.
6. FOR USE WITH .120 THICK P.C. BOARD.
7. FOR USE WITH .093 THICK P.C. BOARD.
8. CONTACT IS PLATED OVERALL WITH .000050 NICKEL, THEN .000030 GOLD OVER CONTACT LENGTH INDICATED AND .000150 MATTE TIN ON SOLDER TAIL END.

SIZE	HOUSING COLOR	PIN FINISH	PART NUMBER
.180	BRICK RED	GOLD	2-640500-6
.210	BRICK RED	GOLD	2-640500-4
.150	BRICK RED	GOLD	2-640500-2
.180	BRICK RED	GOLD	640500-6
.180	BRICK RED	PRE-TIN	640500-5
.210	BRICK RED	GOLD	640500-4
.210	BRICK RED	PRE-TIN	640500-3
.150	BRICK RED	GOLD	640500-2
.150	BRICK RED	PRE-TIN	640500-1
"L" +.010 -.020	HOUSING COLOR	PIN FINISH	PART NUMBER

IN	MM	IN	MM	IN	MM	IN	MM
.010	0.25	.055	1.40	.210	5.33	-	-
.008	0.20	.043	1.09	.180	4.57	-	-
.005	0.13	.037	0.94	.165	4.19	.620	15.75
.003	0.08	.030	0.76	.150	3.81	.530	13.46
.000050	0.00127	.020	0.51	.110	2.79	.455	11.56
.000030	0.00076	.015	0.38	.063	1.60	.220	5.59
IN	MM	IN	MM	IN	MM	IN	MM

CONVERSION TABLE



THIS DRAWING IS A CONTROLLED DOCUMENT.

DWN: J. HUFFMAN 28APR98
 CHK: R. SWING 28APR98
 APVD: T. BEDDICK 28APR98

Tyco Electronics Corporation
 Harrisburg, PA 17105-3608

NAME: HEADER ASSEMBLY, PIN, 6 POSITION, MR.

SIZE: A2 CAGE CODE: 00779 C=640500 DRAWING NO: RESTRICTED TO: -

WEIGHT: - SCALE: 4:1 SHEET: 1 of 1 REV: N

MATERIAL: HOUSING: FLAME RETARDANT NYLON UL 94V-0 PIN: .008 PH. BRZ. FINISH: SEE TABLE

TOLERANCES UNLESS OTHERWISE SPECIFIED:
 0 PLC ± -
 1 PLC ± -
 2 PLC ± -
 3 PLC ± .005
 4 PLC ± -
 ANGLES ± 0°30'

CUSTOMER DRAWING