

Distributed by:

JAMECO[®]
ELECTRONICS

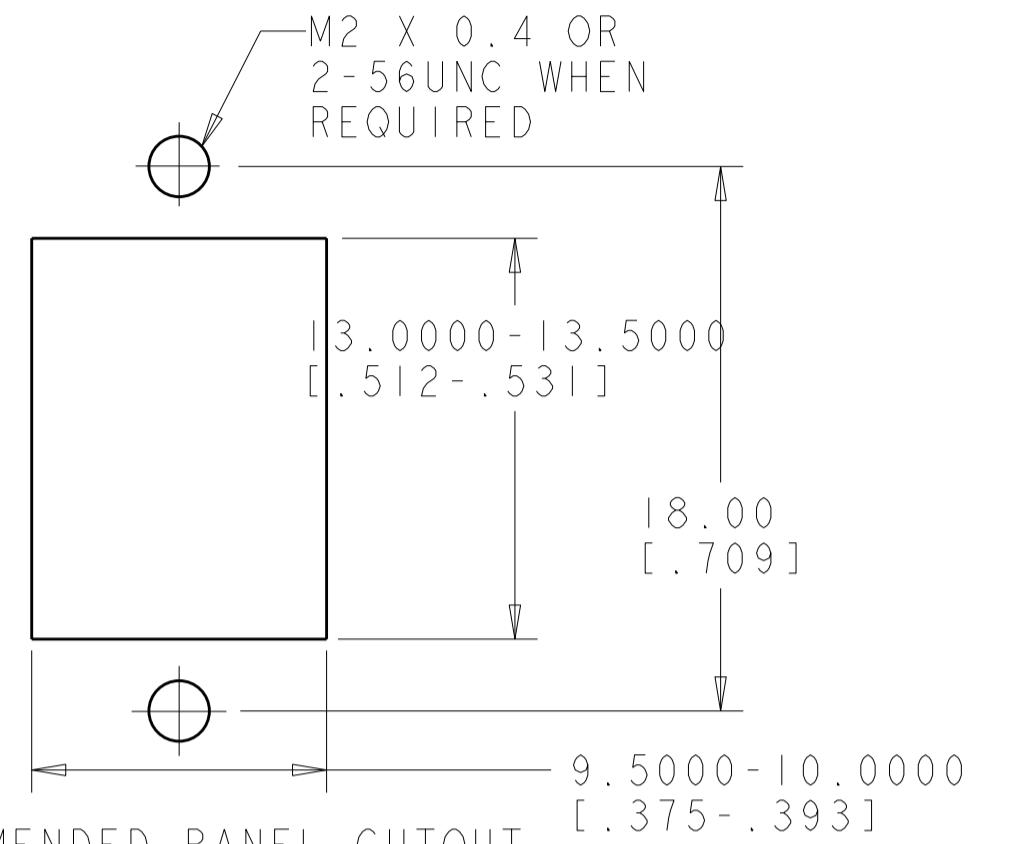
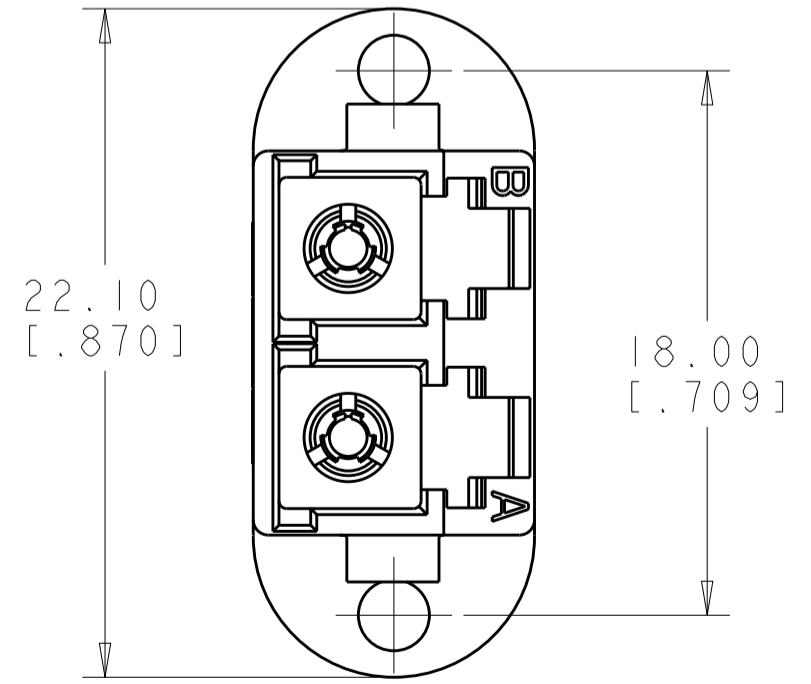
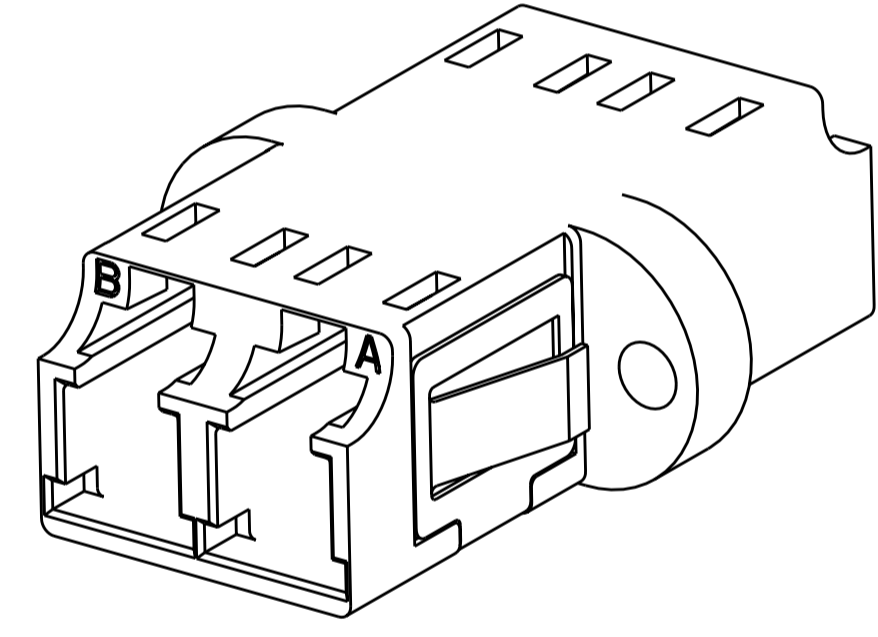
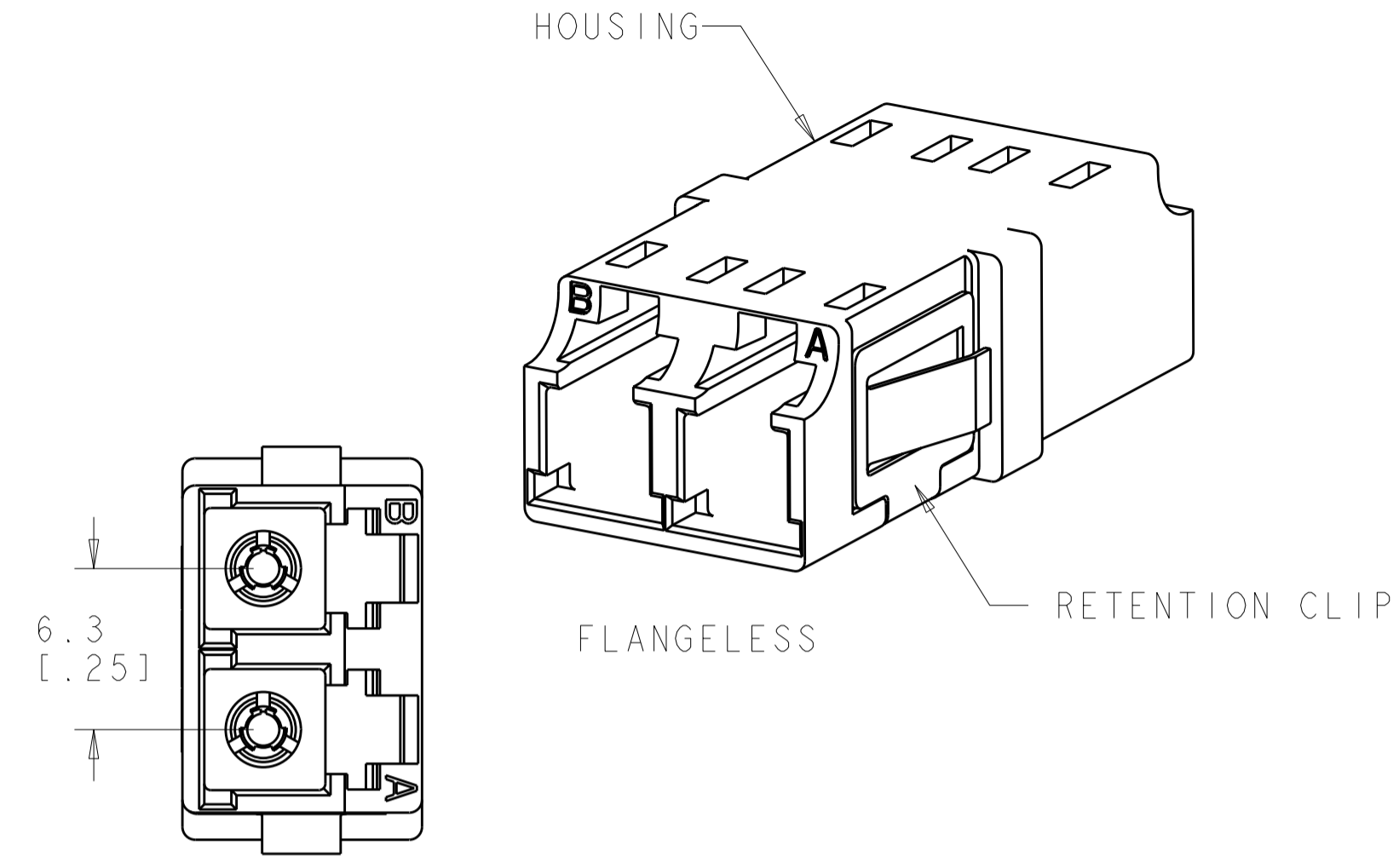
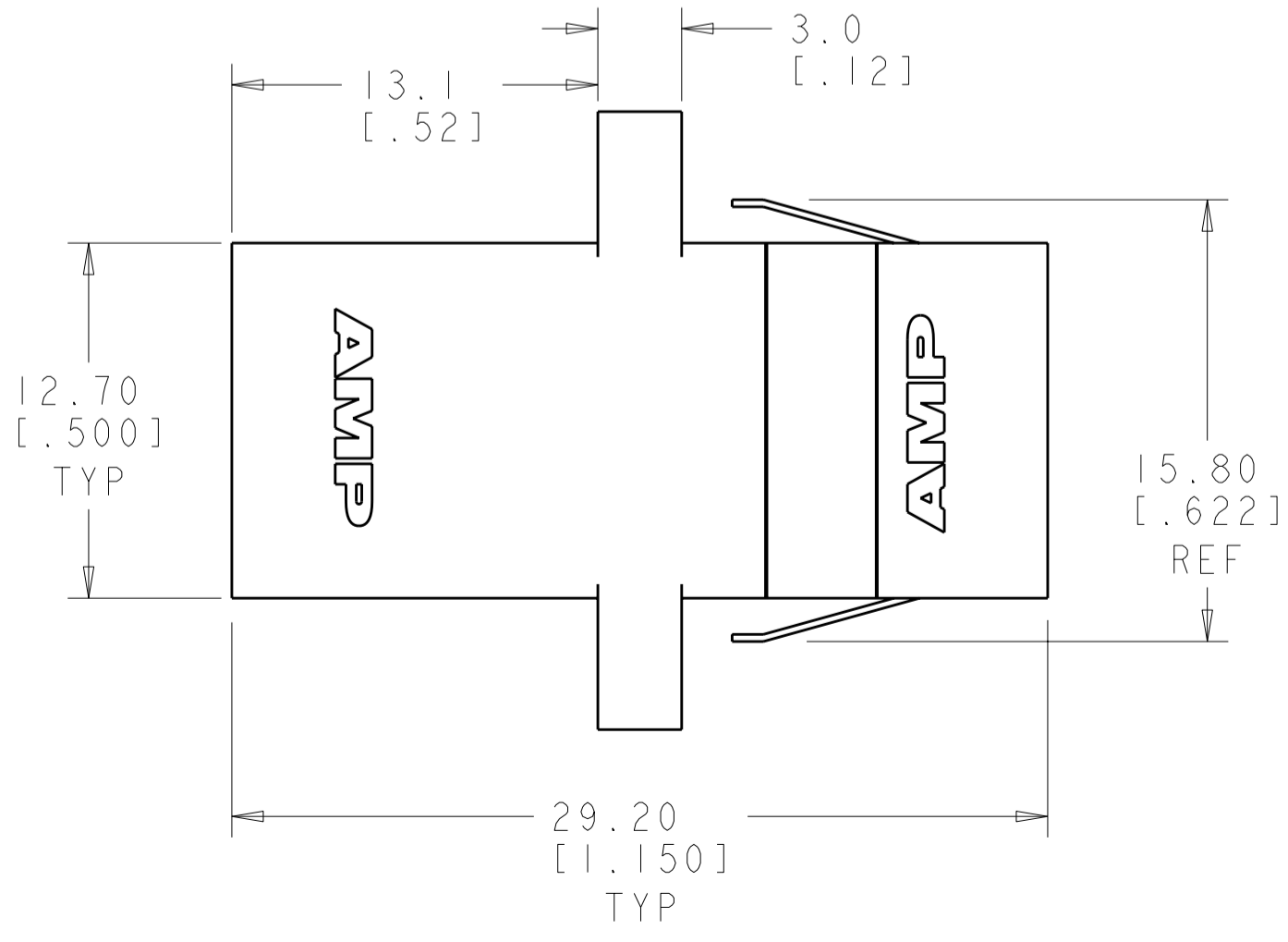
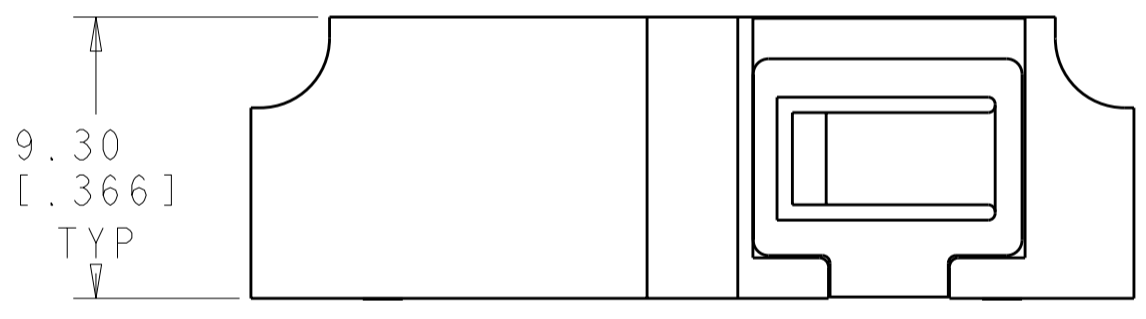
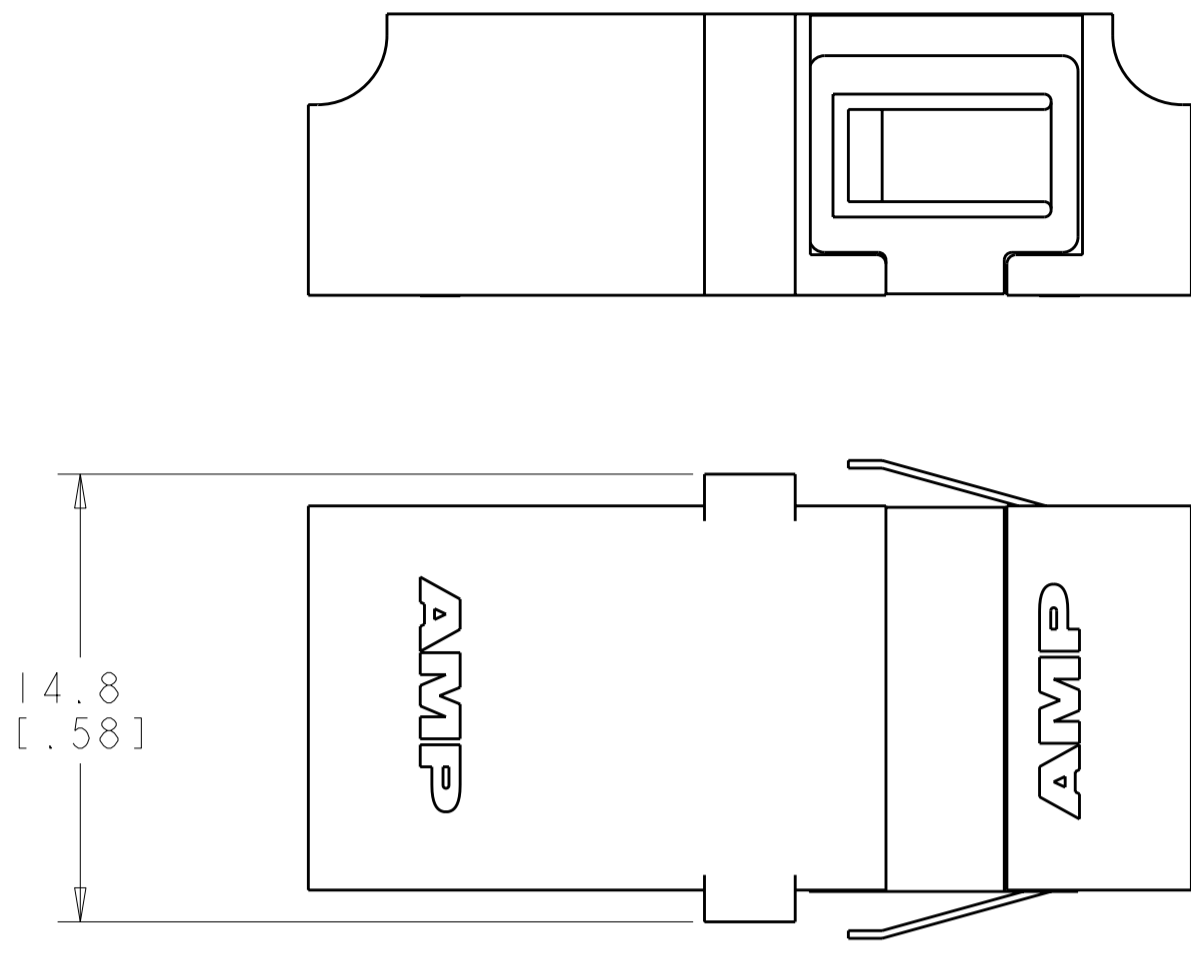
www.Jameco.com ♦ 1-800-831-4242

The content and copyrights of the attached
material are the property of its owner.

Jameco Part Number 966948

THIS DRAWING IS UNPUBLISHED. RELEASED FOR PUBLICATION 20
 © COPYRIGHT 20 BY TYCO ELECTRONICS CORPORATION. ALL RIGHTS RESERVED.

LOC	DIST	REVISIONS					
CE	00	P	LTR	DESCRIPTION	DATE	DWN	APVD
		A		REL PER ECO-06-000681	10JAN2006	DHR	DHR
		B		REV PER ECR-06-018590	07AUG2006	DHR	DHR
		C		REV PER ECR-06-020830	06SEPT2006	DHR	DHR



1 MATERIAL:
 HOUSING: THERMOPLASTIC, UL 94-V0
 DUST PLUGS: THERMOPLASTIC ELASTOMER
 ALIGNMENT SLEEVES: SEE TABLE
 RETENTION CLIP: SST

2. DUPLEX DUST PLUGS ARE SUPPLIED, NOT SHOWN.
 3. RETENTION CLIP IS NOT INCLUDED.

3	MATERIAL	HOUSING COLOR	DESCRIPTION	PART NUMBER
	METAL	BLUE	FLANGED	1-6457567-3
3	CERAMIC	BLUE	FLANGELESS	1-6457567-2
3	CERAMIC	BEIGE	FLANGELESS	1-6457567-1
3	CERAMIC	BLUE	FLANGED	1-6457567-0
3	CERAMIC	BEIGE	FLANGED	6457567-9
	METAL	BEIGE	FLANGED	6457567-8
	METAL	BEIGE	FLANGELESS	6457567-7
	CERAMIC	GREEN	FLANGED	6457567-6
	CERAMIC	BEIGE	FLANGED	6457567-5
	CERAMIC	BLUE	FLANGED	6457567-4
	CERAMIC	GREEN	FLANGELESS	6457567-3
	CERAMIC	BEIGE	FLANGELESS	6457567-2
	CERAMIC	BLUE	FLANGELESS	6457567-1

THIS DRAWING IS A CONTROLLED DOCUMENT FOR TYCO ELECTRONICS CORPORATION IT IS SUBJECT TO CHANGE AND THE CONTROLLING ENGINEERING ORGANIZATION SHOULD BE CONTACTED FOR THE LATEST REVISION.		DWN E. HOPKINS 03JUN2005 CHK D. ROHDE 03JUN2005 APVD S. BUCHTER 03JUN2005	AMP Tyco Electronics Harrisburg, PA 17105-3608
DIMENSIONS: mm [INCHES]	TOLERANCES UNLESS OTHERWISE SPECIFIED: 0 PLC ±0.1 1 PLC ±0.1 2 PLC ±0.1 3 PLC ± 4 PLC ± ANGLES ± FINISH -	PRODUCT SPEC - APPLICATION SPEC - WEIGHT -	NAME ADAPTER, DUPLEX LC, SR-SR, SC ENVELOPE SIZE A2 CAGE CODE 00779 DRAWING NO 6457567 RESTRICTED TO - CUSTOMER DRAWING SCALE 4:1 SHEET 1 OF 1 REV C