

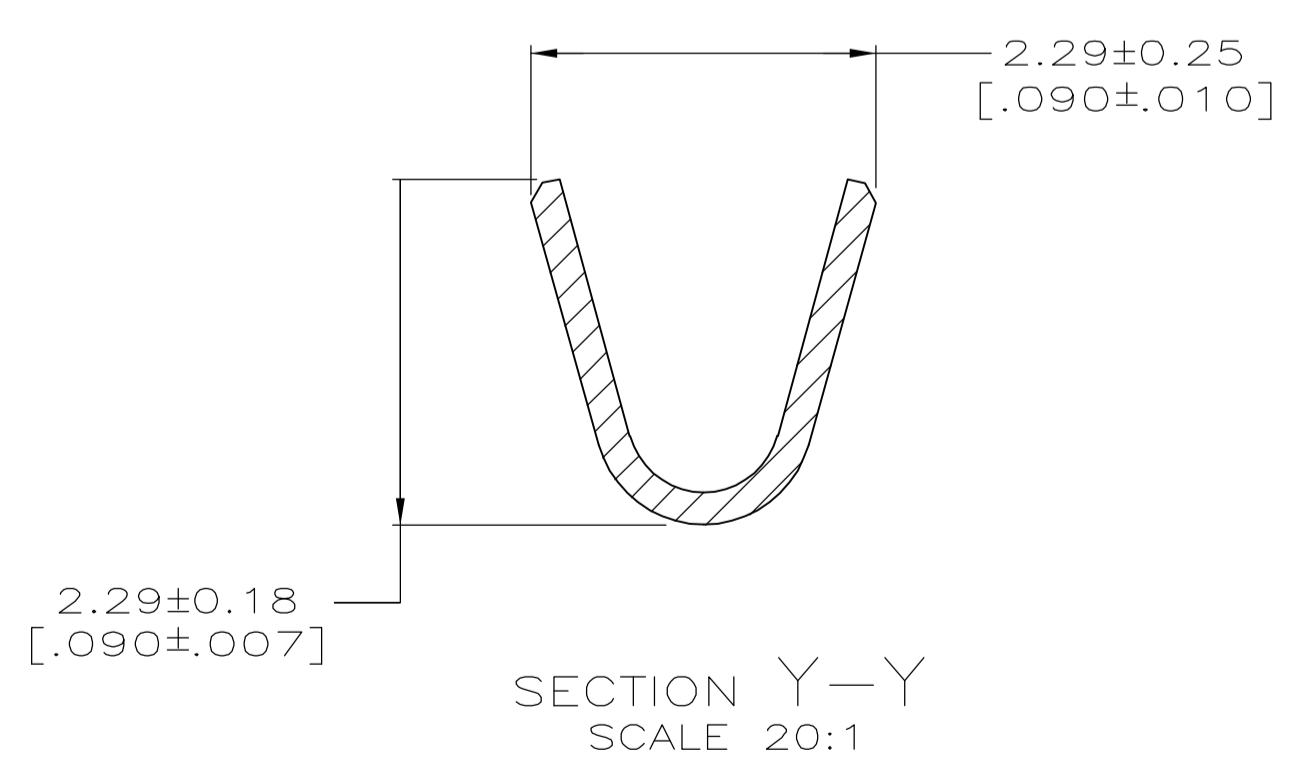
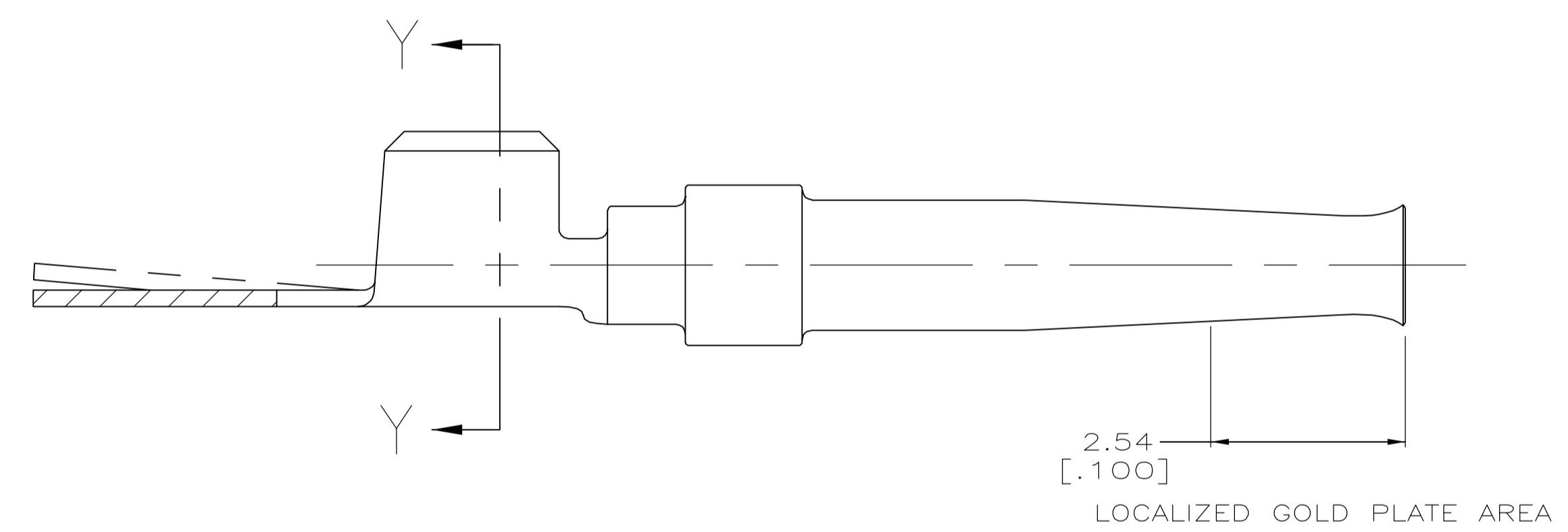
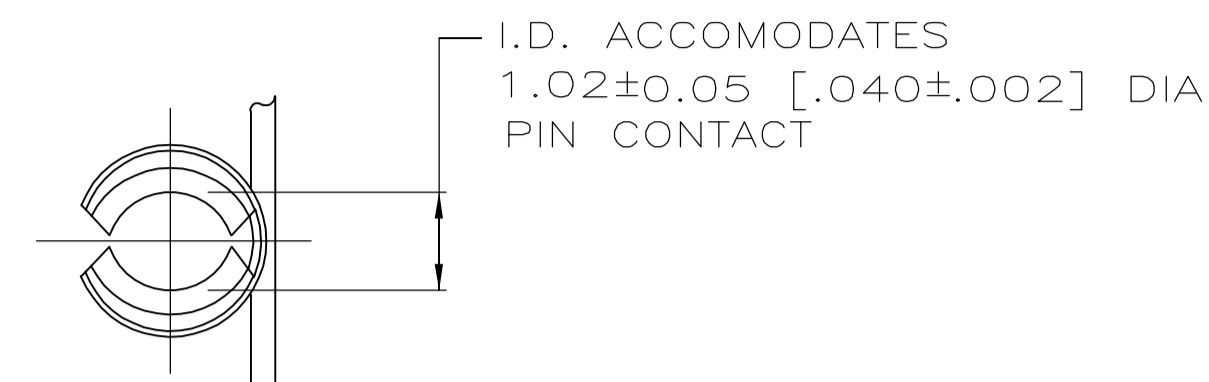
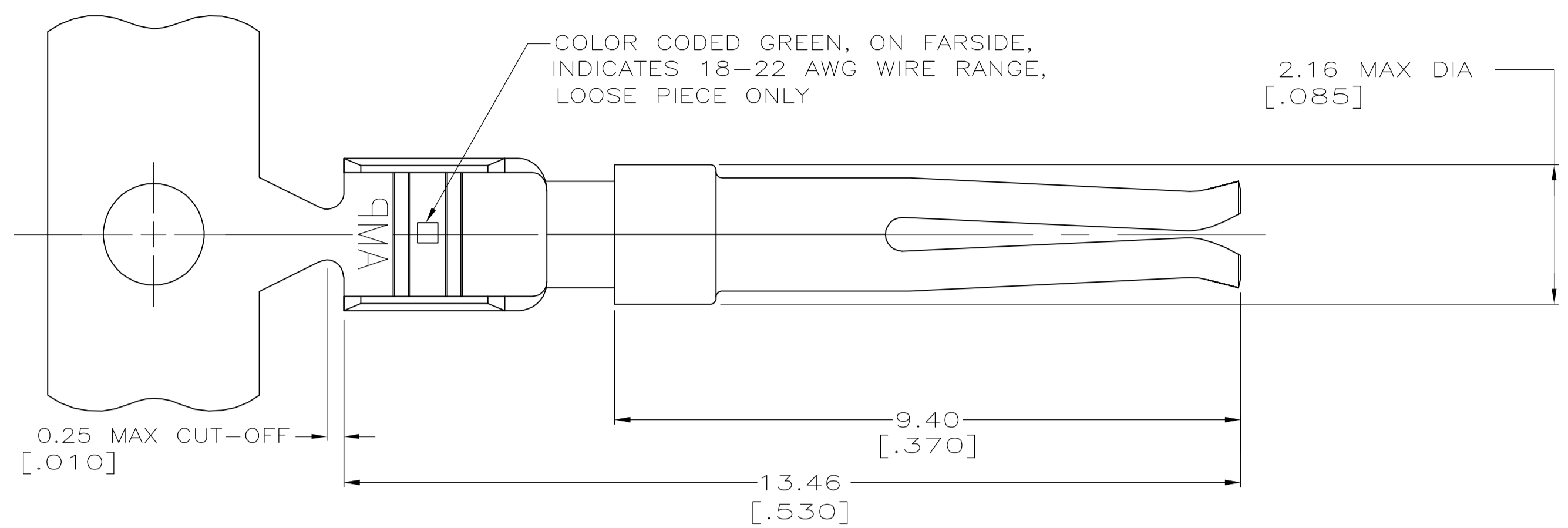
Distributed by:

**JAMECO**<sup>®</sup>  
ELECTRONICS

**www.Jameco.com ♦ 1-800-831-4242**

The content and copyrights of the attached  
material are the property of its owner.

Jameco Part Number 969911



- 1 FOR MINI-APPLICATOR.
- 2 0.76µm [.000030] GOLD PER MIL-G-45204 ON MATING END FOR A LENGTH OF 2.54 [.100] GOLD FLASH PER MIL-G-45204 ON REMAINDER, ALL OVER 1.27µm [.000050] NICKEL PER QQ-N-290.
- 3 PLATED GOLD FLASH PER MIL-G-45204 OVER 0.76µm [.000030] NICKEL PER QQ-N-290.
- 4 CARRIER STRIP MAY NOT BE GOLD PLATED.
- 5 MAX. INSULATION DIAMETER ALLOWABLE FOR EXTRACTING CONTACT FROM CONNECTOR WITH 91067-2 TOOL IS 1.73 [.068].
- 6 PLATED GOLD FLASH PER MIL-G-45204 ON MATING END FOR LENGTH OF 2.54 [.100] TIN PLATED WIRE BARRELS, ALL OVER 0.76µm [.000030] NICKEL PER QQ-N-290.
- 7 SELECTIVE GOLD PLATED 0.76µm [.000030] THICK PER MIL-G-45204 ON MATING END FOR LENGTH OF 2.54 [.100] TIN PLATED WIRE BARRELS, ALL OVER 1.27 [.000050] NICKEL PER QQ-N-290.
- 8 LOOSE PIECE PART NUMBERS ARE COLOR CODED.
- 9 OBSOLETE

1-745230-3	1-745230-1
1-745230-0	745230-8
745230-7	745230-5
745230-4	745230-2
FINISH	LOOSE PIECE PART NO
	PART NUMBER

THIS DRAWING IS A CONTROLLED DOCUMENT.

DIMENSIONS: INCHES	TOLERANCES UNLESS OTHERWISE SPECIFIED:	DWN: W. ZELKO 10-3-80	CHK: R. BAER 11-3-80	APVD: R. LEHMAN 11-5-80	NAME: R. LEHMAN	PRODUCT SPEC	APPLICATION SPEC	SIZE: A1	SCALE: 15:1	SHEET: 1 OF 1	REV: C1
0 PLC ± -	1 PLC ± -	2 PLC ± 0.13 [.005]	3 PLC ± -	4 PLC ± -	ANGLES ± -	FINISH: SEE TABLE	MATERIAL: PHOS BRONZE	WEIGHT: -	CAGE CODE: 00779	DRAWING NO: 745230	RESTRICTED TO: -

tyco Electronics Tyco Electronics Corporation Harrisburg, PA 17105-3608

CONTACT, SOCKET, SIZE 20 DF, 18-22 AWG

CUSTOMER DRAWING