

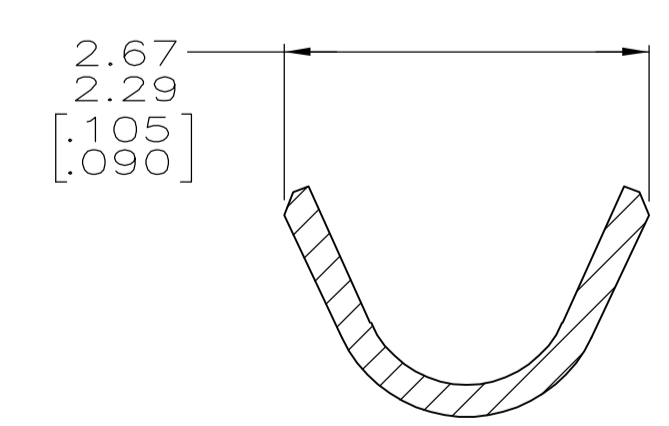
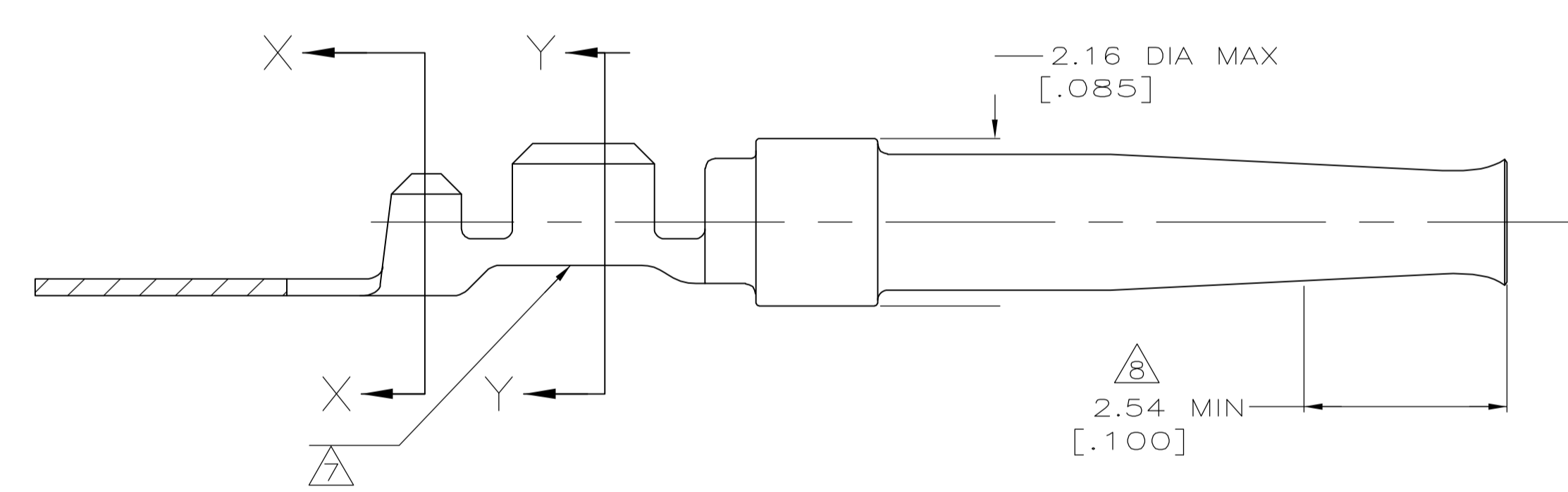
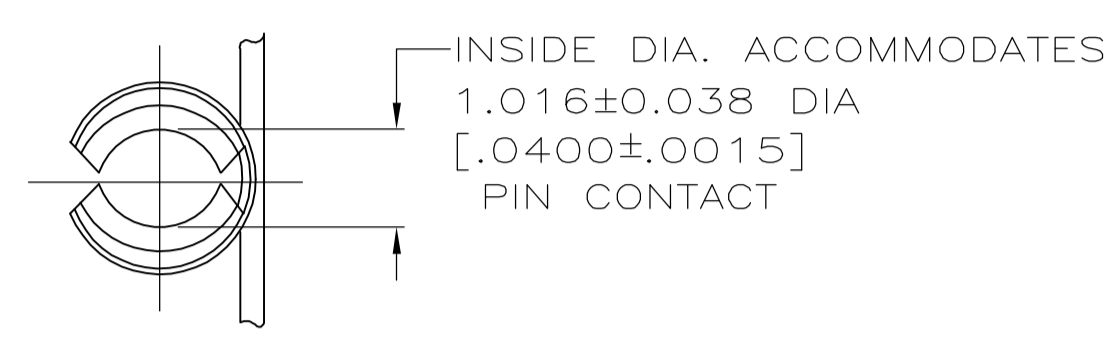
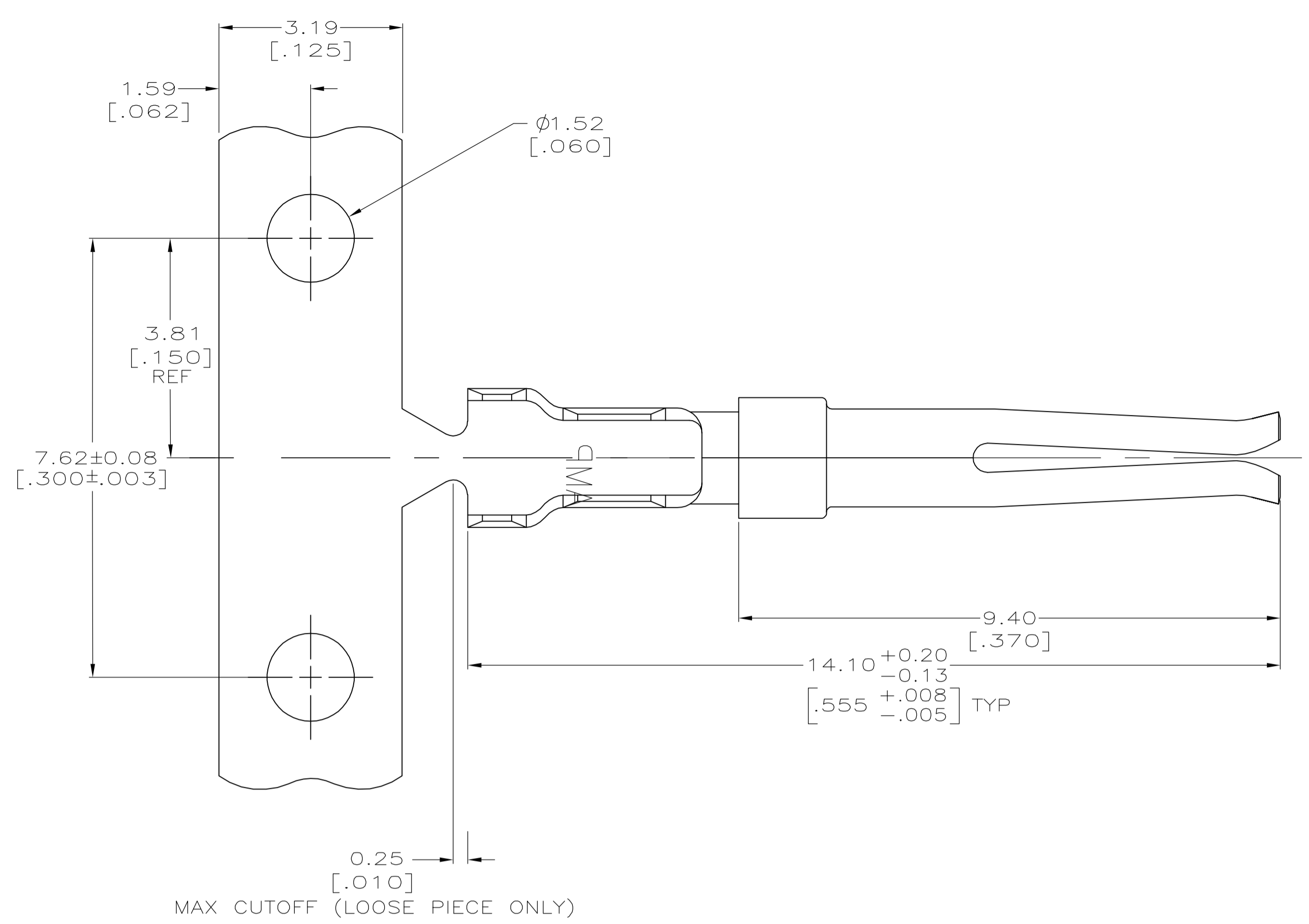
Distributed by:

JAMECO[®]
ELECTRONICS

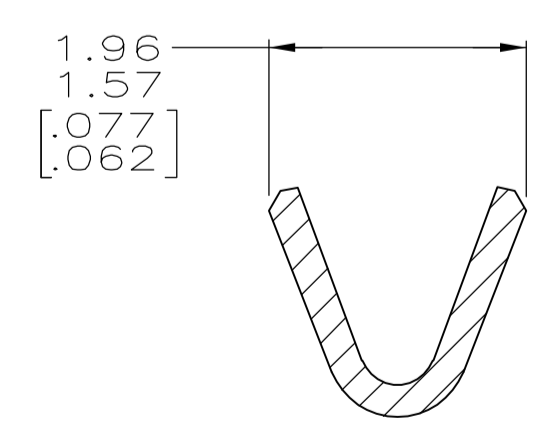
www.Jameco.com ♦ 1-800-831-4242

The content and copyrights of the attached
material are the property of its owner.

Jameco Part Number 969971



SECTION X-X
 INSULATION BARREL
 SCALE 20:1



SECTION Y-Y
 WIRE BARREL
 SCALE 20:1

- 1 FOR MINI-APPLICATOR CRIMPING.
- 2. WIRE RANGE IS 22-26 AWG AND INSULATION RANGE IS 1.02/1.27 [.040/.050].
- 3 0.76 μ m [.000030] GOLD PER MIL-G-45204 ON MATING END FOR A LENGTH OF 2.54 μ m [.100] MIN., GOLD FLASH PER MIL-G-45204 ON REMAINDER, ALL OVER 1.27 μ m [.000050] NICKEL PER QQ-N-290.
- 4 GOLD FLASH PER MIL-G-45204 OVER 0.76 μ m [.000030] NICKEL PER QQ-N-290.
- 5 0.025 μ m [.000001] MIN GOLD PER MIL-G-45204 ON MATING END FOR A LENGTH OF 2.54 [.100] MIN., TIN PLATED WIRE BARRELS, ALL OVER 0.76 μ m [.000030] NICKEL PER QQ-N-290.
- 6 SELECTIVE GOLD PLATED 0.76 μ m [.000030] THICK PER MIL-G-45204 ON MATING END FOR A LENGTH OF 2.54 [.100] MIN., TIN PLATED WIRE BARRELS, ALL OVER 1.27 μ m [.000050] NICKEL PER QQ-N-290.
- 7 COLOR CODE YELLOW IN THIS AREA INDICATES 22-26 AWG WIRE RANGE. ONLY LOOSE PIECE PART NUMBERS ARE COLOR CODED.
- 8 LOCALIZED GOLD PLATE AREA - INSIDE SURFACE FOR GOLD AND NICKEL PLATING NOTES 3 AND 6. OUTSIDE SURFACES FOR ALL OTHER PLATING NOTES.
- 9. GOLD PLATING MAY NOT APPEAR ON CARRIER STRIP.

OBSOLETE	STANDARD	6	LOOSE PIECE	1-745253-6
OBSOLETE	STANDARD	6	STRIP	1-745253-4
OBSOLETE	STANDARD	5	LOOSE PIECE	1-745253-3
OBSOLETE	STANDARD	5	STRIP	1-745253-1
	STANDARD	4	LOOSE PIECE	745253-7
	STANDARD	3	LOOSE PIECE	745253-6
	STANDARD	4	STRIP	745253-3
	STANDARD	3	STRIP	745253-2
	PACKAGING TYPE	FINISH	TYPE	PART NUMBER

THIS DRAWING IS A CONTROLLED DOCUMENT.

DIMENSIONS: INCHES	TOLERANCES UNLESS OTHERWISE SPECIFIED:	DIN S. WELDON 11-3-80	Tyco Electronics Corporation Harrisburg, PA 17105-3608
0 PLC \pm -	1 PLC \pm -	CHK J. GERACE 11-5-80	
1 PLC \pm -	2 PLC \pm 0.13 [.005]	APVD R. BAER 11-10-80	NAME
2 PLC \pm -	3 PLC \pm -		PRODUCT SPEC
3 PLC \pm -	4 PLC \pm -		108-40005
4 PLC \pm -	ANGLES \pm -		APPLICATION SPEC
			114-10000
MATERIAL PHOS. BRONZE PER	FINISH SEE TABLE	WEIGHT -	SIZE A1
			00779
			745253
			CUSTOMER DRAWING

SCALE 15:1 SHEET 1 OF 1 REV G1