

Distributed by:

JAMECO[®]
ELECTRONICS

www.Jameco.com ♦ 1-800-831-4242

The content and copyrights of the attached
material are the property of its owner.

Jameco Part Number 986201

4

3

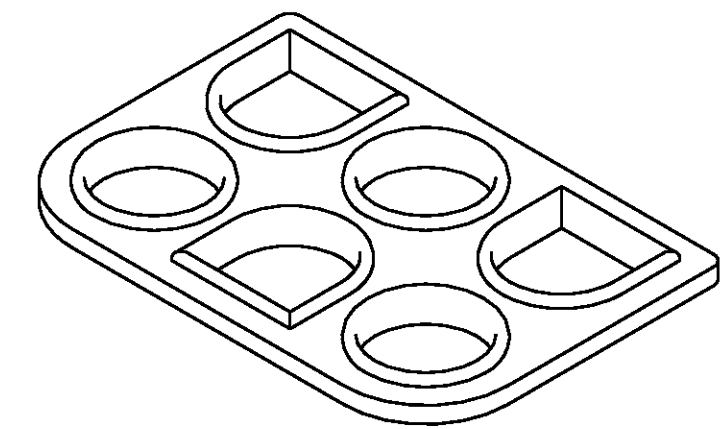
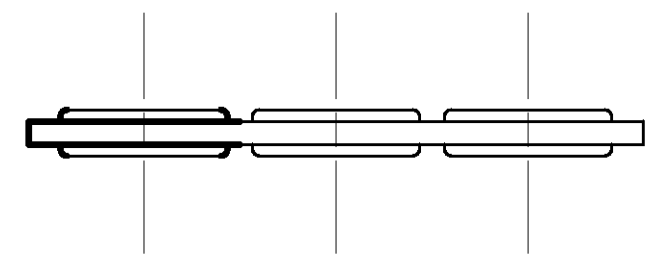
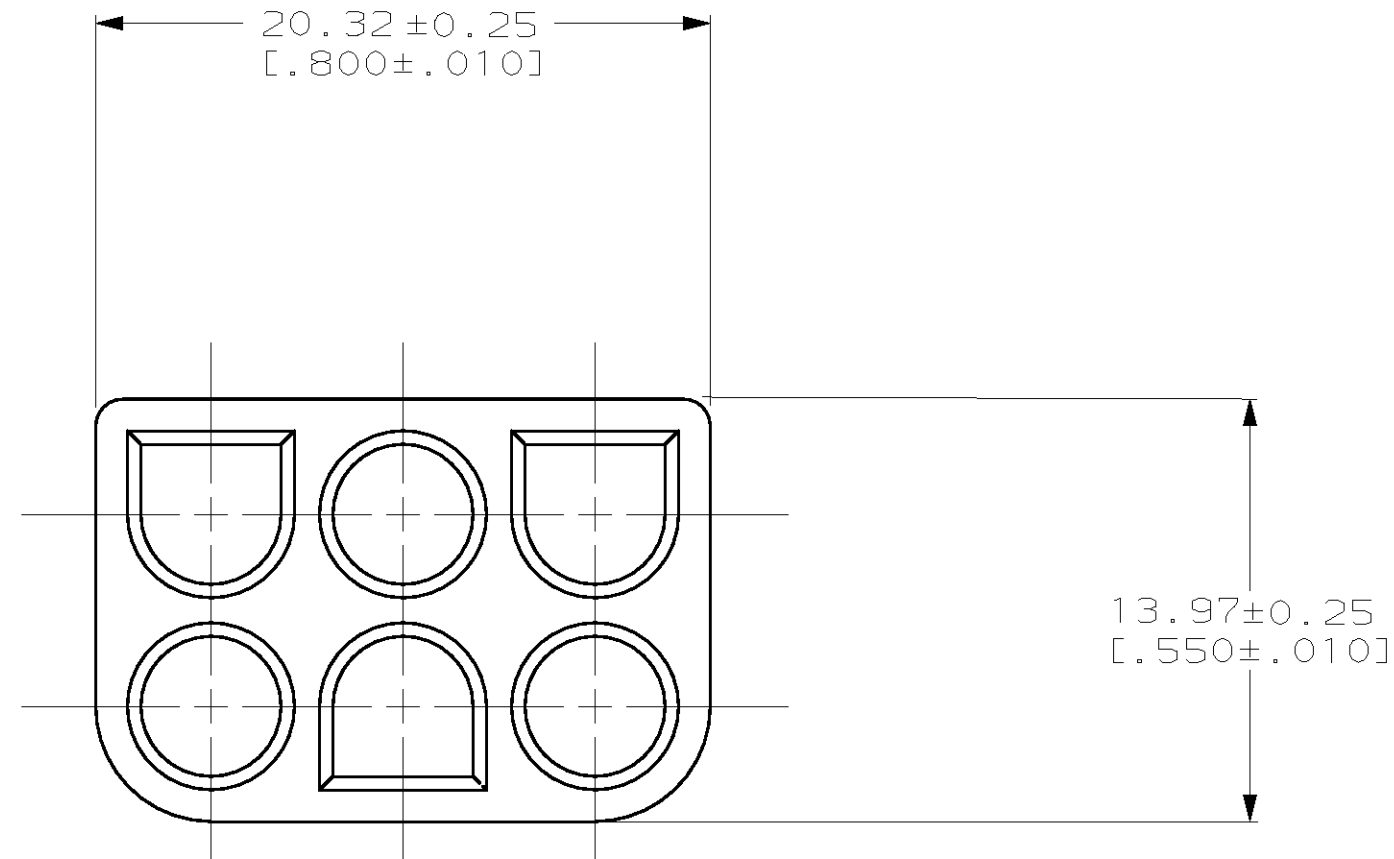
2

1

THIS DRAWING IS UNPUBLISHED. RELEASED FOR PUBLICATION .19
 (C) COPYRIGHT 19 BY AMP INCORPORATED. ALL RIGHTS RESERVED.

LOC		DIST		REVISIONS			
P	LTR	DESCRIPTION	DATE	DWN	APVD		
CM	53	B	REV PER EC	061B-0062-98	4-2-98	JH	RS

- 1. MATERIAL: SELF LUBRICATING SILICON RUBBER
COLOR: BLUE
- 2. DIMENSIONS IN BRACKETS ARE IN INCHES.



3-DIMENSIONAL MODEL
NTS

794275-1
PART NUMBER

METRIC

THIS DRAWING IS A CONTROLLED DOCUMENT.		DWN	B. LEWIS	3-25-97
DIMENSIONS:		CHK	R. SWING	3-25-97
INCHES		APVD	D. SELF	3-25-97
TOLERANCES UNLESS OTHERWISE SPECIFIED:		PRODUCT SPEC	NAME	
0 PLC	±	APPLICATION SPEC	INTERFACE SEAL, 6 CIRCUIT, UNIVERSAL MATE-N-LOK™	
1 PLC	±	WEIGHT	SIZE	CAGE CODE
2 PLC	±	CUSTOMER DRAWING	A2	00779
3 PLC	±0.13 [0.005]	SCALE	4:1	DRAWING NO
4 PLC	±	SHEET	1	OF
ANGLES	±0°30'	REV	B	RESTRICTED TO
FINISH	-	DRAWING NO		
A2 00779 C-794275				

794275