

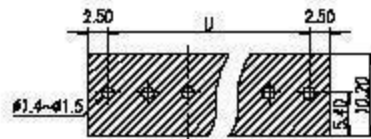
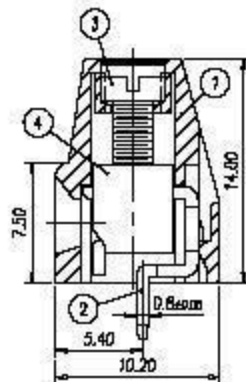
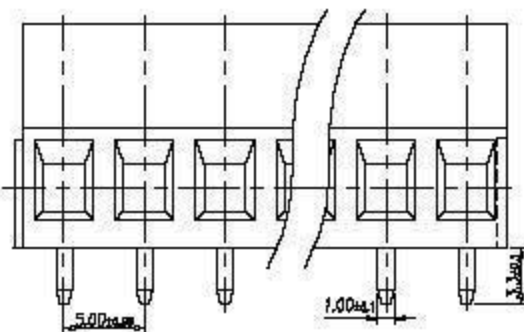
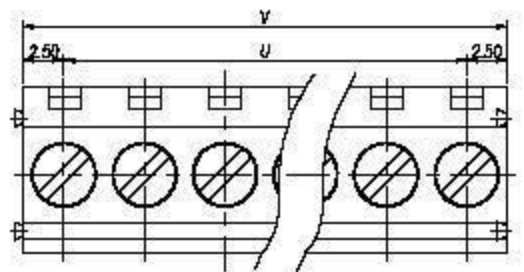
Distributed by:

JAMECO[®]
ELECTRONICS

www.Jameco.com ♦ 1-800-831-4242

The content and copyrights of the attached
material are the property of its owner.

Jameco Part Number 99398



P.C.B. LAYOUT(REF)

P	2	3	4	5	6	7	8	9	10	11	12	13	14	15	16
U	8.0	10.0	16.0	20.0	25.0	30.0	35.0	40.0	45.0	50.0	55.0	60.0	65.0	70.0	75.0
V	10.0	15.0	20.0	25.0	30.0	35.0	40.0	45.0	50.0	55.0	60.0	65.0	70.0	75.0	80.0
P	17	18	19	20	21	22	23	24	25	26	27	28	29	30	31
U	80.0	85.0	90.0	95.0	100.0	105.0	110.0	115.0	120.0	125.0	130.0	135.0	140.0	145.0	150.0
V	85.0	90.0	95.0	100.0	105.0	110.0	115.0	120.0	125.0	130.0	135.0	140.0	145.0	150.0	155.0

Tolerance For FITCH ERROR

NOTES:

- Rating: 300V 10A (IEC 250V 24A)
PITCH: 5.00mm
- Insulation Withstands Voltage:
AC 2000V/MIN
- Insulation Resistance:
500M Ω or more at DC500V
- Using Temperature Range:
-40°C~+105°C

5. Screw Torque Value: 5 kgf-cm (MAX)6. Suitable Electric Wire:
AWG ~~22-24~~ 24~12 (IEC D.5~2.5mm²)

7. Undimensioned Tolerances:

\pm	$\frac{D}{10}$	0.05/0
\pm	$\frac{L}{10}$	0.2/0
PITCH ERROR		0.05/0
HOLE POSITION		0.1
SURFACE		0.3

REV.	CONTENT	CHK.	DATE
1	資料更新	Y.y	04.11.20
2	工程變更	蘇	03.07.24
3	工程變更	蘇	01.04.03

4	WIRE CAGE	X000000800	P	STEEL	Zn Plated
3	SCREW	S000003400	P	STEEL	U.S./Zn Plated
2	SOLDER PIN	0013000100	P	COPPER	Tin Plated
1	HOUSING	0013000000	1	PABB(V2)	GREEN
ITEM	NAME OF PART	NO. OF PART	Q'TY	MATERIAL	NOTES
DWG.	林漢宏	DATE	1999.12.28	UNITS	MM SHEET/OF 1/1
Q-CK		DATE		SCALE	4:1 (:)
APP.		DATE		NAME	DT-128V-□□P
				DWG NO.	SP-02-128VP000